

# Multipoint Lock Mechanism Replacement Guide

for Andersen® 200 Series Hinged Patio Door - Inswing

Please read this guide completely before starting. For questions about this and other Andersen® products, call 1-888-888-7020.

For the most current version of this guide visit [www.andersenwindows.com](http://www.andersenwindows.com). Consult your local building code official for applicable building codes and regulations. Thank you for choosing Andersen® products.

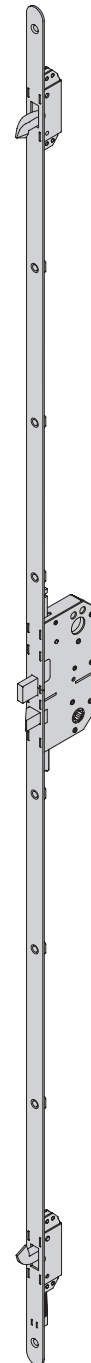
Please leave this information with homeowner.

## Parts Included

- Installation Guide
- Multipoint Lock Mechanism

## Tools Needed

- Safety Glasses
- 1/8" Hex Wrench
- Phillips Screwdriver



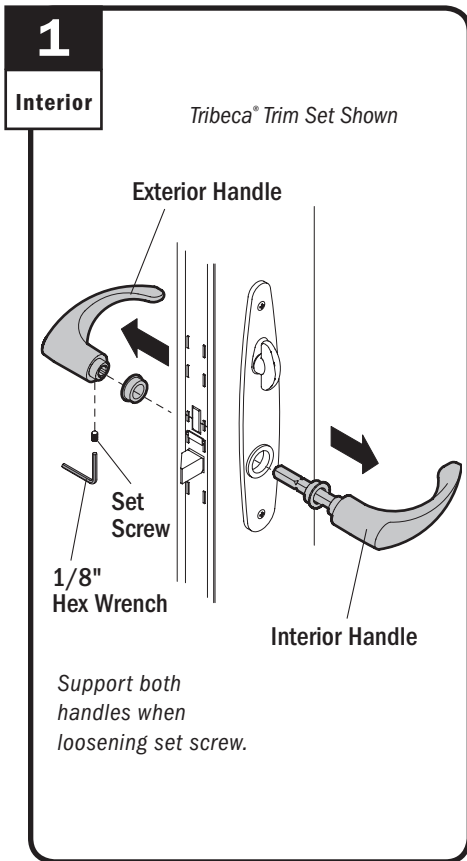
Multipoint Lock Mechanism

## WARNING

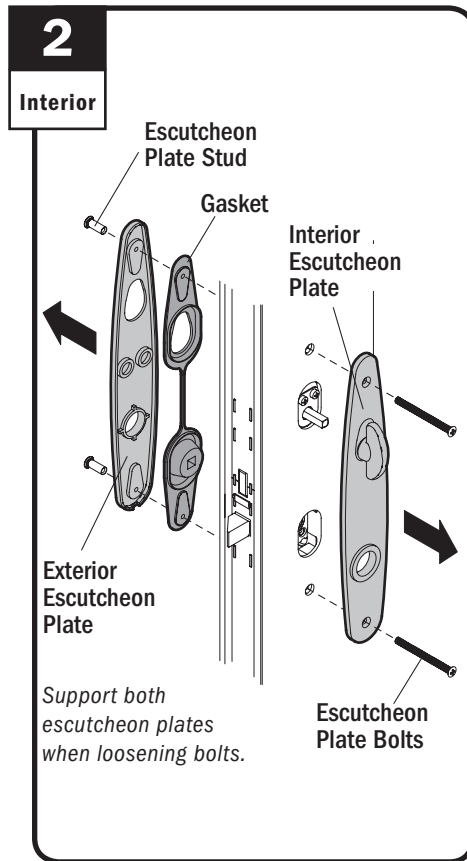
Follow manufacturer's instructions for safe operation of hand/power tools. Always wear safety glasses. Failure to do so may result in injury and/or product damage.

## WARNING

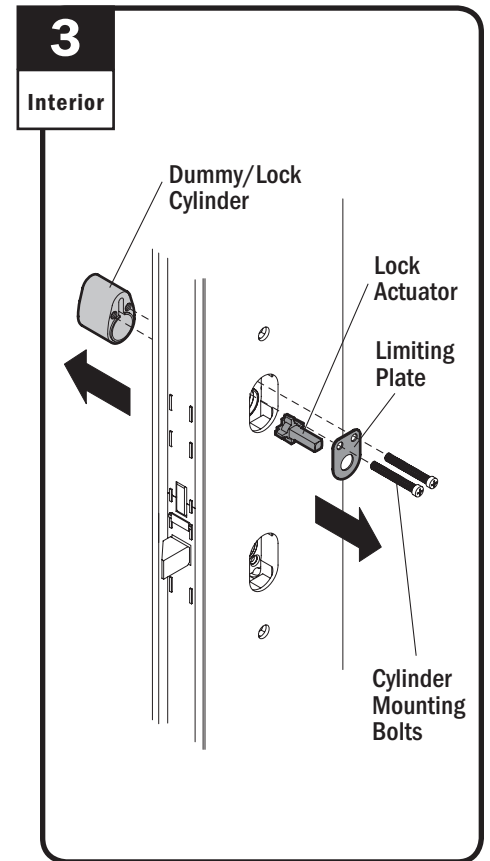
Incorrect installation may affect home security. Make sure lock mechanism is installed correctly, read and follow each step of this instruction guide.



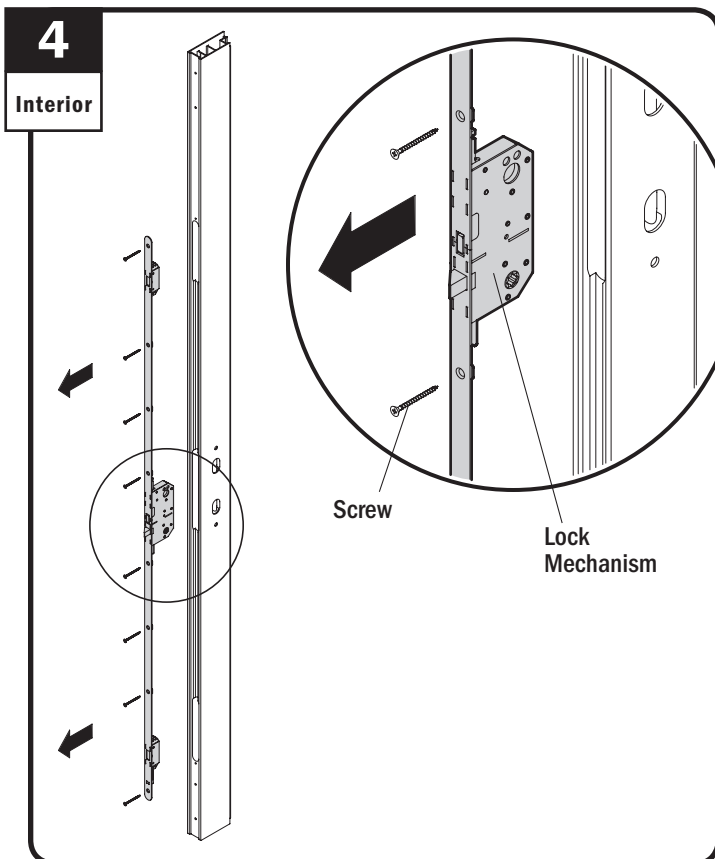
Loosen set screw on underside of exterior handle and remove handles. Keep all hardware and fasteners for reinstallation.



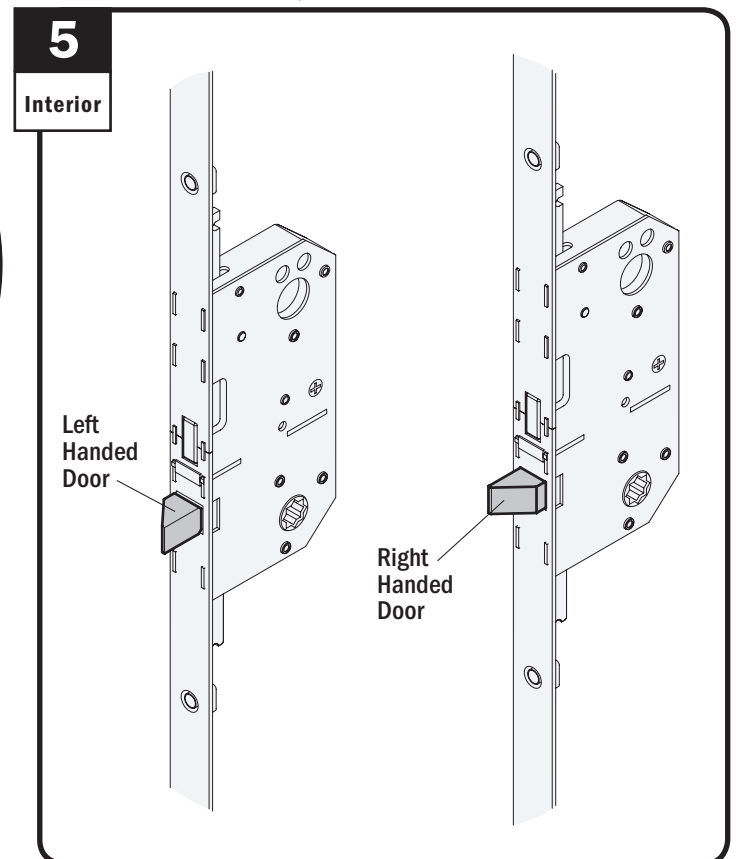
Remove escutcheon plate bolts, interior and exterior escutcheon plates and gasket. Keep these parts.



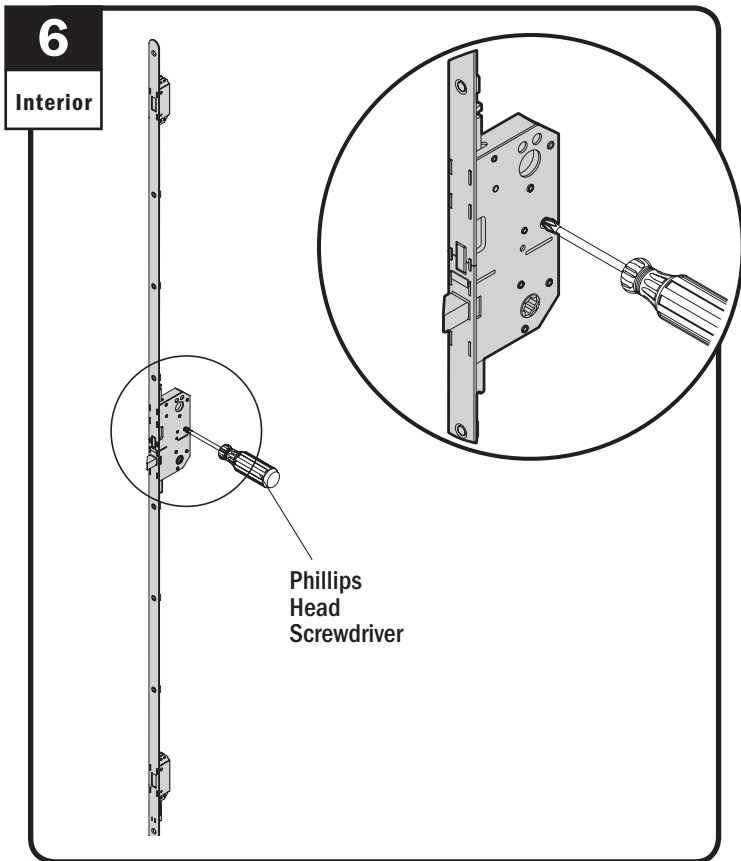
Remove cylinder mounting bolts, limiting plate, lock actuator and dummy/lock cylinder. Keep these parts.



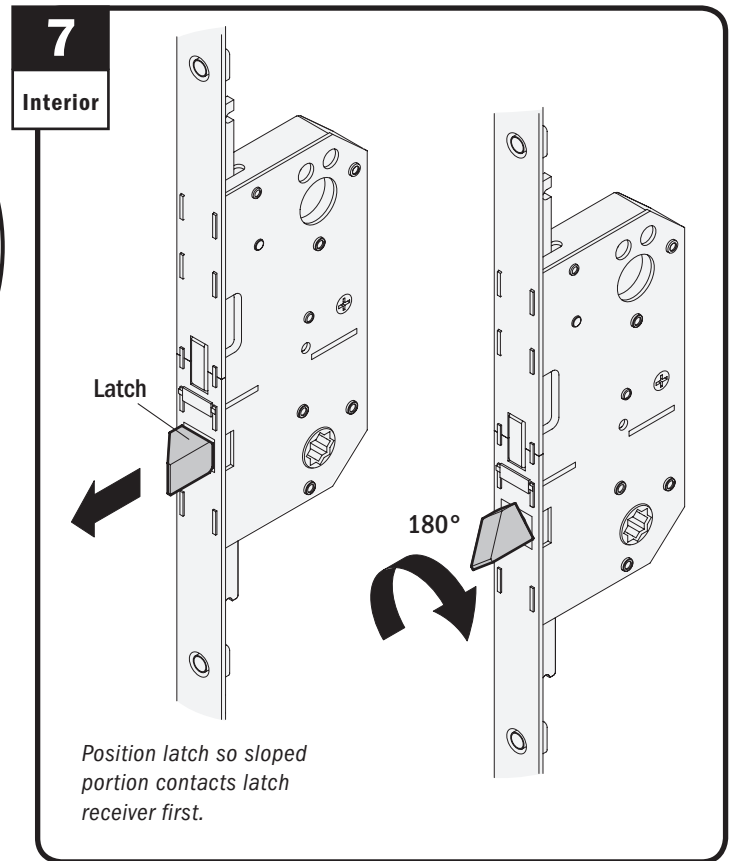
Remove screws from multipoint lock mechanism and pull out of door panel. Keep screws for reinstallation.



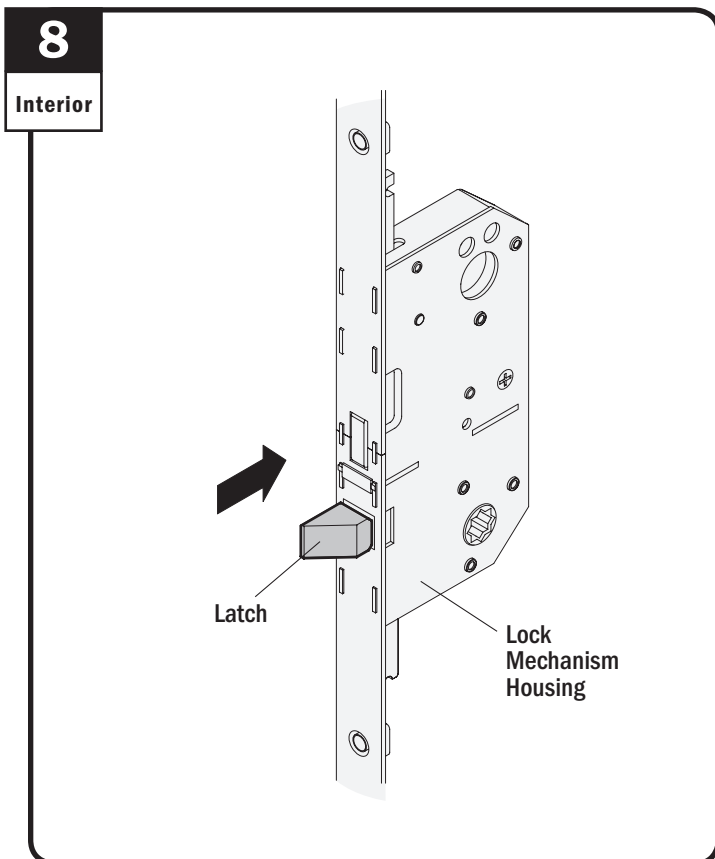
Check lock handing against existing lock. If correct go to step 9, if not correct go to step 6.



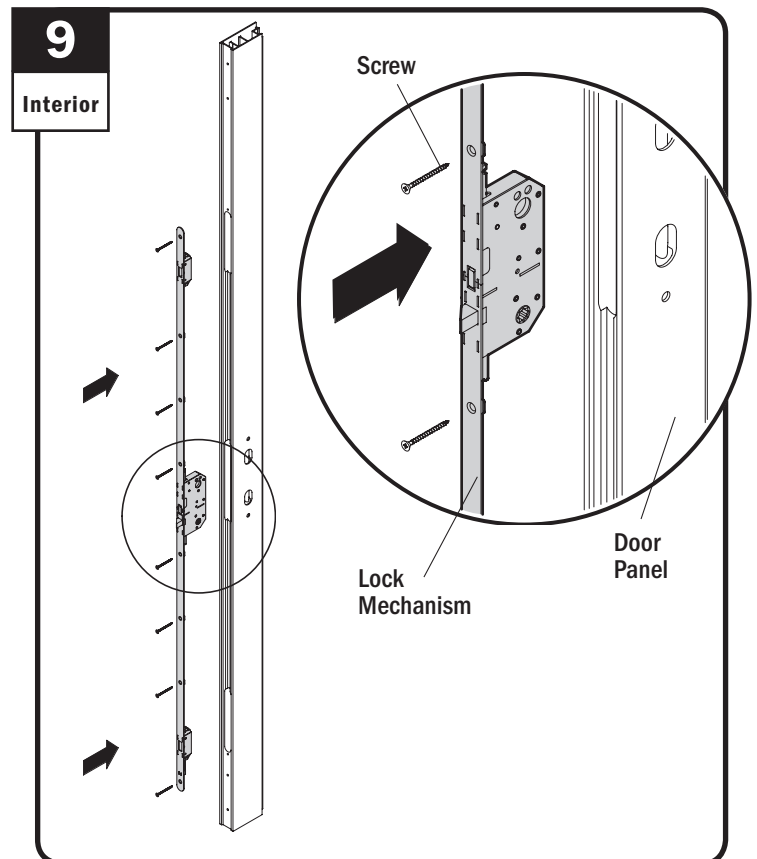
Turn Phillips head screw to disengage latch.



Grasp latch, pull outward slightly, and rotate 180°.



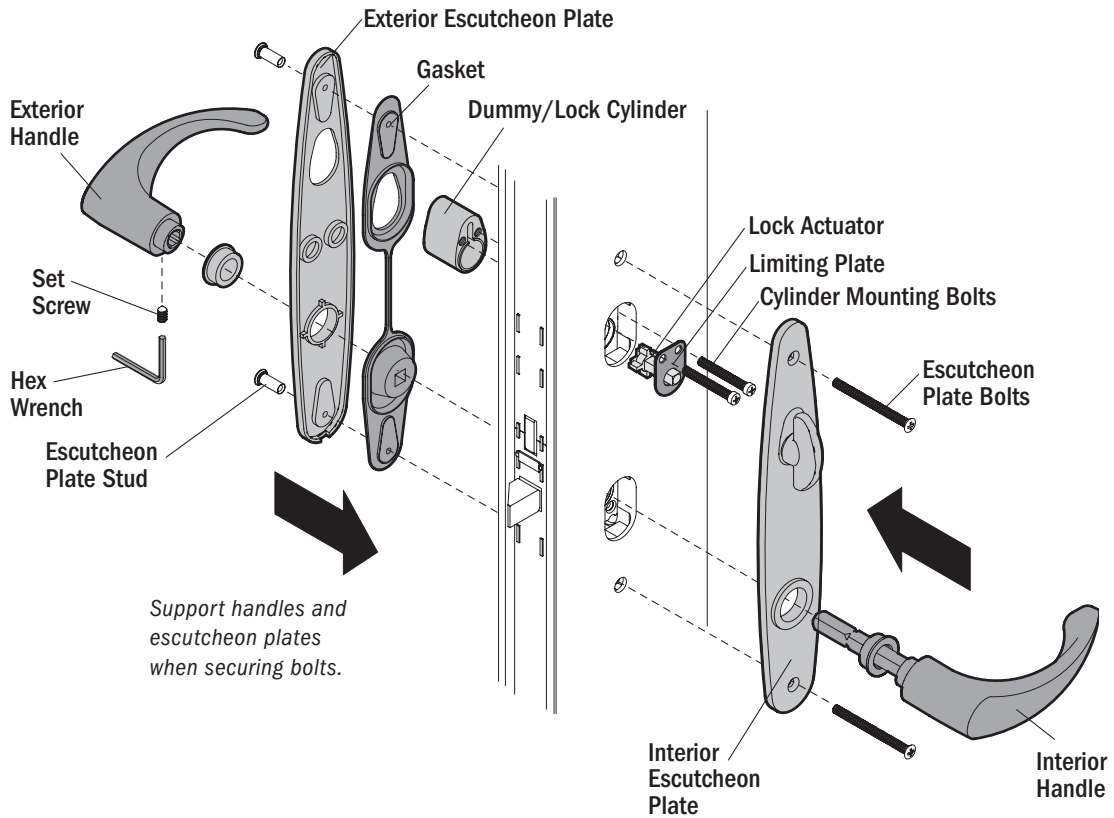
Push latch back into lock mechanism housing.



Position multipoint lock mechanism into door panel and fasten with screws.

11

Interior



Reapply trim set reversing steps 1, 2 and 3. Check hardware operation. **Installation is finished.**