

Side Liner Weatherstrip Replacement Guide

for Andersen® 200 Series Tilt-Wash Double-Hung Windows



IMPORTANT

Read all instructions carefully before attempting this procedure. If you have any questions about your ability to complete this procedure, call Andersen at 1-888-888-7020 for further direction. Andersen WindowCare® service center hours are Monday through Friday, 7 a.m. to 7 p.m. Central Time and Saturday, 8 a.m. to 4 p.m. Central Time. Thank you for choosing Andersen® products.

Important Safety, Assembly, and Installation Information

Every assembly and installation is different (windloads, structural support, etc.), and Andersen strongly recommends consultation with an Andersen supplier or an experienced contractor, architect, or structural engineer prior to the assembly and installation of any Andersen product. Andersen has no responsibility in regard to the post-manufactured assembly and installation of Andersen products.

⚠ WARNING

Use of ladders and/or scaffolding and working at elevated levels may be hazardous. Follow equipment manufacturer's instructions for safe operation. Use extreme caution when working around window and door openings. Falling from opening may result in personal injury or death.

⚠ WARNING

Improper use of hand or power tools could result in personal injury and/or product damage. Follow equipment manufacturer's instructions for safe operation. Always wear safety glasses.

⚠ WARNING

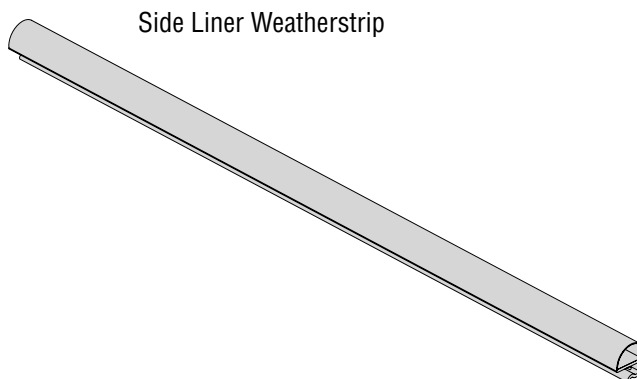
Weight of window and door unit(s) and accessories will vary. Use a reasonable number of people with sufficient strength to lift, carry, and install window and door unit(s) and accessories. Always use appropriate lifting techniques.

Parts Included

Side Liner Weatherstrip(s)
Instruction Guide

Tools and Supplies

- Safety Glasses
- Phillips-head Screwdriver
- Putty Knife
- Utility Knife



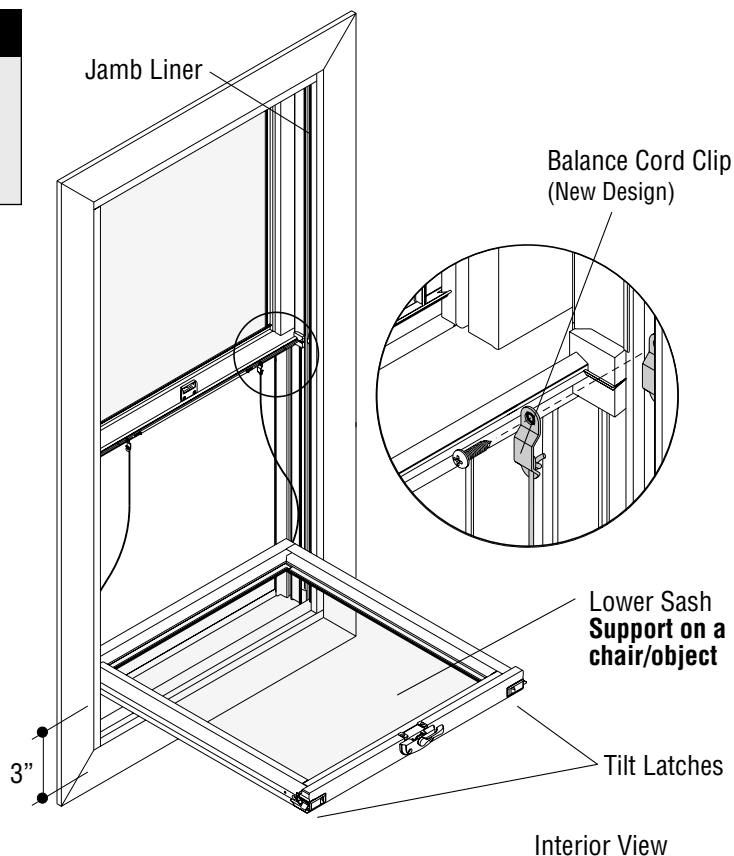
Side Liner Weatherstrip

1. Position Lower Sash for Removal

⚠ WARNING

Sash must be supported during tilting, removal and installation. Failure to support the Sash may result in personal injury, product and/or property damage.

- Position *Lower Sash* about 3" from the sill.
- Slide *Tilt Latches* to open position.
- Grasp *Lower Sash* firmly, while holding *Tilt Latches* in open position, and tilt toward interior until supported on chair or object.
- Remove screws securing the *Balance Cord Clips* from both sides of frame and set aside for reuse. Once screws are removed, sash will move freely in *Jamb Liner*.

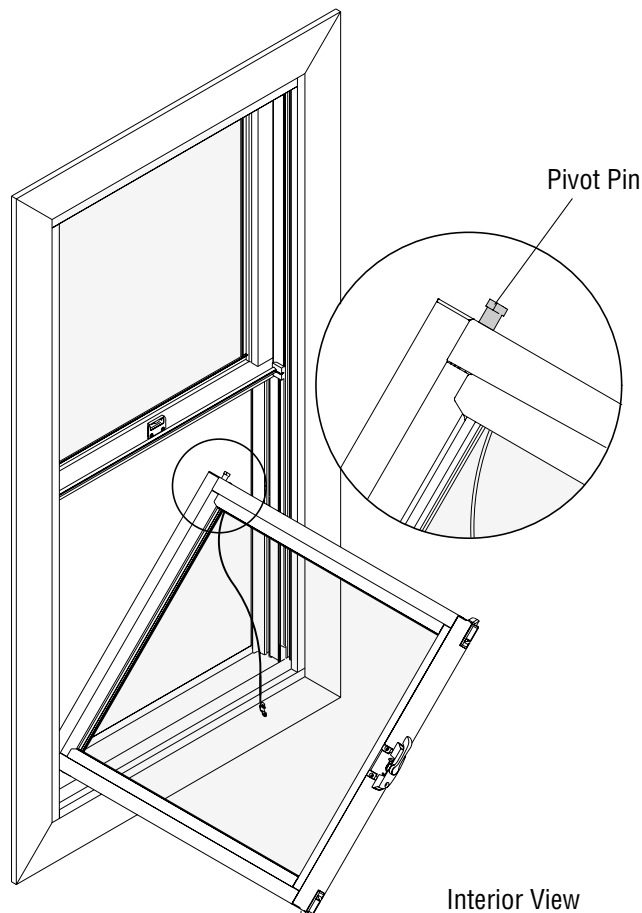


2. Release and Remove Lower Sash

⚠ WARNING

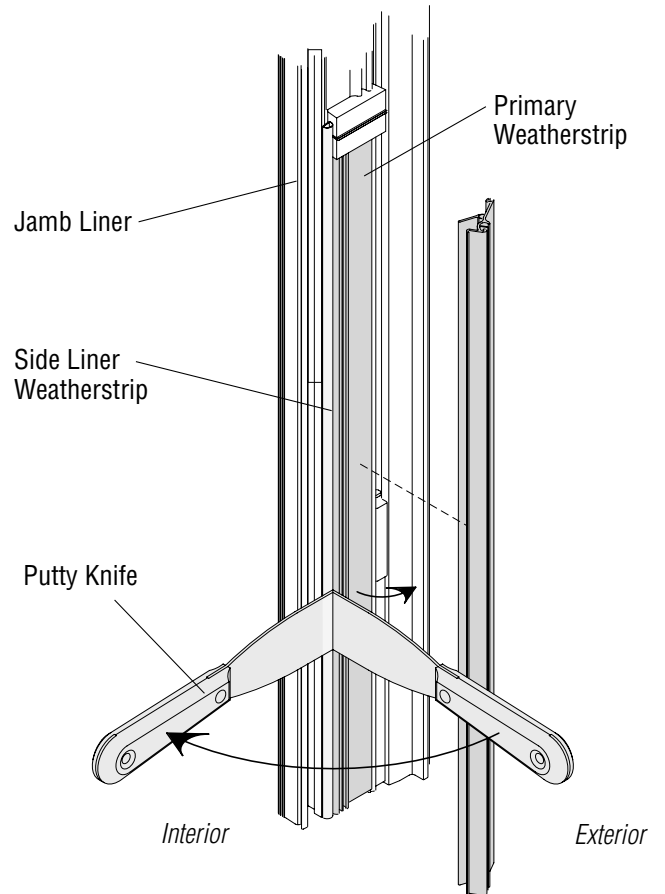
Use extreme care when working around window opening. Never leave a window opening unattended, especially when children are present. Falling from window opening may result in severe personal injury or death.

- Grasp Sash firmly and lift one side of *Sash* until *Pivot Pins* on both sides of *Sash* are clear of frame and remove *Sash*. Set removed *Sash* aside in safe location.



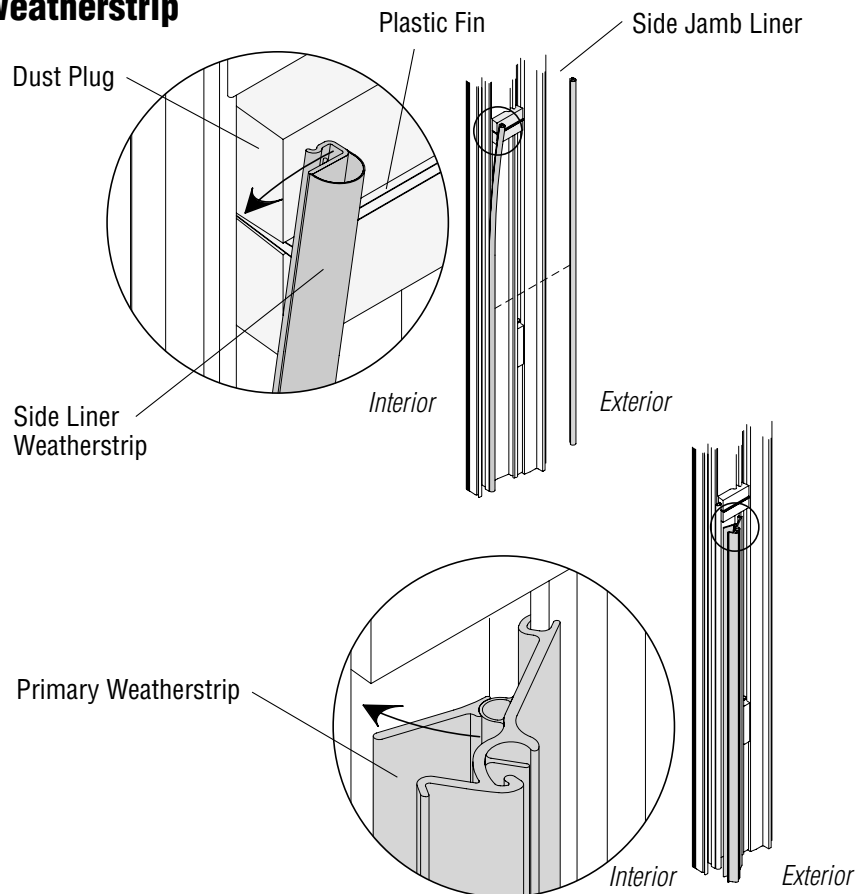
3. Remove Primary and Side Liner Weatherstrip

- Insert a small putty knife between *Primary* and *Side Liner Weatherstrip* and pry toward the interior to detach *Primary Weatherstrip* from jamb liner. Move putty knife up to free one side of weatherstrip and remove completely by hand. Set weatherstrip aside for reuse.
- Remove *Side Liner Weatherstrip* from jamb liner, by hand, and retain.
- Repeat for opposite side, if needed.



4. Reinstall Primary and Side Liner Weatherstrip

- Cut replacement *Side Liner Weatherstrip* to length using original weatherstrip as a guide.
- Position end of *Side Liner Weatherstrip* tight against sill and snap onto jamb liner, as shown. Remove gray *Dust Plug* temporarily, if needed.
- Press edge of *Primary Weatherstrip* onto jamb liner.
- Rotate *Primary Weatherstrip* toward the interior and snap into place working from the top down.
- Replace gray *Dust Plug* with plastic fin aligned horizontally, if it was removed.
- Repeat procedure for *Side Liner Weatherstrip* on opposite side, if needed.



5. Reinstall Lower Sash

- With the exterior side of the *Lower Sash* facing up, place the *Pivot Pins* into inner channel on *Side Jamb*.

⚠ WARNING

If Balance Cord is wrapped around Pivot Pin, Sash will not operate properly and may result in personal injury and/or product damage.

- Secure *Balance Cord Clips* to both sides of frame in inner channel on *Side Jamb*.

⚠ WARNING

If Balance Cord Clip is not installed correctly, knot towards side jamb, sash will not operate correctly. Sash may open potentially causing injury.

⚠ WARNING

If Sash balance is not re-engaged in the track by first pushing down on the Sash, it will quickly drop potentially causing injury.

- Slide *Tilt Latches* to open position and return *Lower Sash* to closed vertical position, checking for *Tilt Latch* engagement in *Jamb Channel* by pushing back and forth. Push *Lower Sash* down approximately 1" to engage *Sash Balances*.

