

# Bottom Rail Weatherstrip Replacement Guide

for Andersen® 200 Series Tilt-Wash Double-Hung Windows



## IMPORTANT

Read all instructions carefully before attempting this procedure. If you have any questions about your ability to complete this procedure, call Andersen at 1-888-888-7020 for further direction. Andersen WindowCare® service center hours are Monday through Friday, 7 a.m. to 7 p.m. Central Time and Saturday, 8 a.m. to 4 p.m. Central Time. Thank you for choosing Andersen® products.

## Important Safety, Assembly, and Installation Information

Every assembly and installation is different (windloads, structural support, etc.), and Andersen strongly recommends consultation with an Andersen supplier or an experienced contractor, architect, or structural engineer prior to the assembly and installation of any Andersen product. Andersen has no responsibility in regard to the post-manufactured assembly and installation of Andersen products.

### **⚠ WARNING**

Use of ladders and/or scaffolding and working at elevated levels may be hazardous. Follow equipment manufacturer's instructions for safe operation. Use extreme caution when working around window and door openings. Falling from opening may result in personal injury or death.

### **⚠ WARNING**

Improper use of hand or power tools could result in personal injury and/or product damage. Follow equipment manufacturer's instructions for safe operation. Always wear safety glasses.

### **⚠ WARNING**

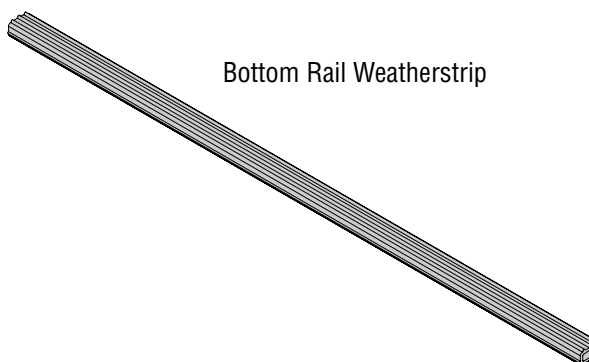
Weight of window and door unit(s) and accessories will vary. Use a reasonable number of people with sufficient strength to lift, carry, and install window and door unit(s) and accessories. Always use appropriate lifting techniques.

### Parts Included

- (1) Bottom Rail Weatherstrip
- (1) Instruction Guide

### Tools and Supplies

- Safety Glasses
- Phillips Screwdriver
- Needle Nose Pliers
- Utility Knife
- Silicone Sealant

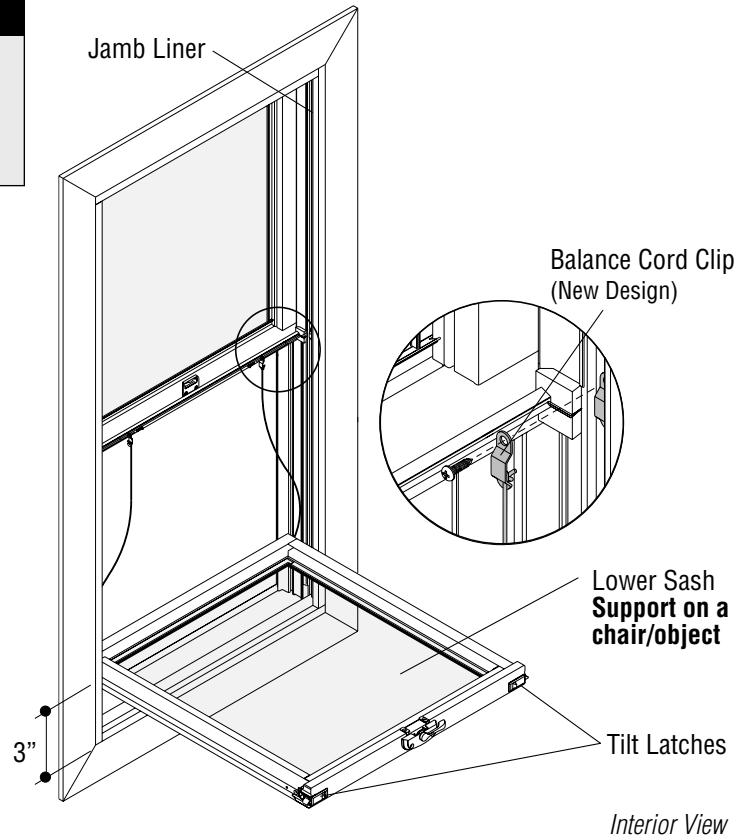


## 1. Position Lower Sash for Removal

### **⚠ WARNING**

Sash must be supported during tilting, removal and installation. Failure to support the Sash may result in personal injury, product and/or property damage.

- Position *Lower Sash* about 3" from the sill.
- Slide *Tilt Latches* to open position.
- Grasp *Lower Sash* firmly, while holding *Tilt Latches* in open position, and tilt toward interior until supported on chair or object.
- Remove screws securing the *Balance Cord Clips* from both sides of frame and set aside for reuse. Once screws are removed, sash will move freely in *Jamb Liner*.

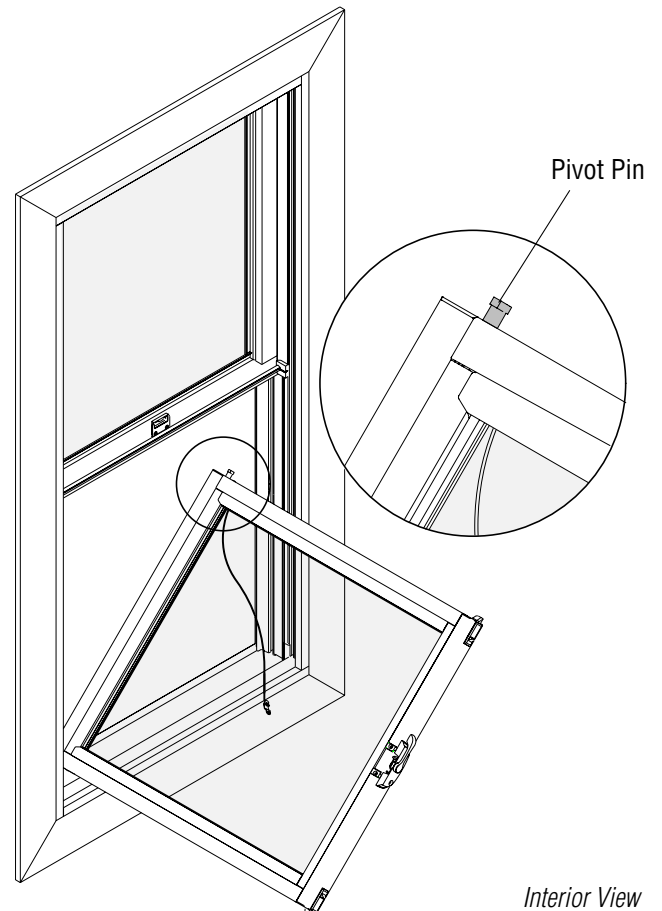


## 2. Release and Remove Lower Sash

### **⚠ WARNING**

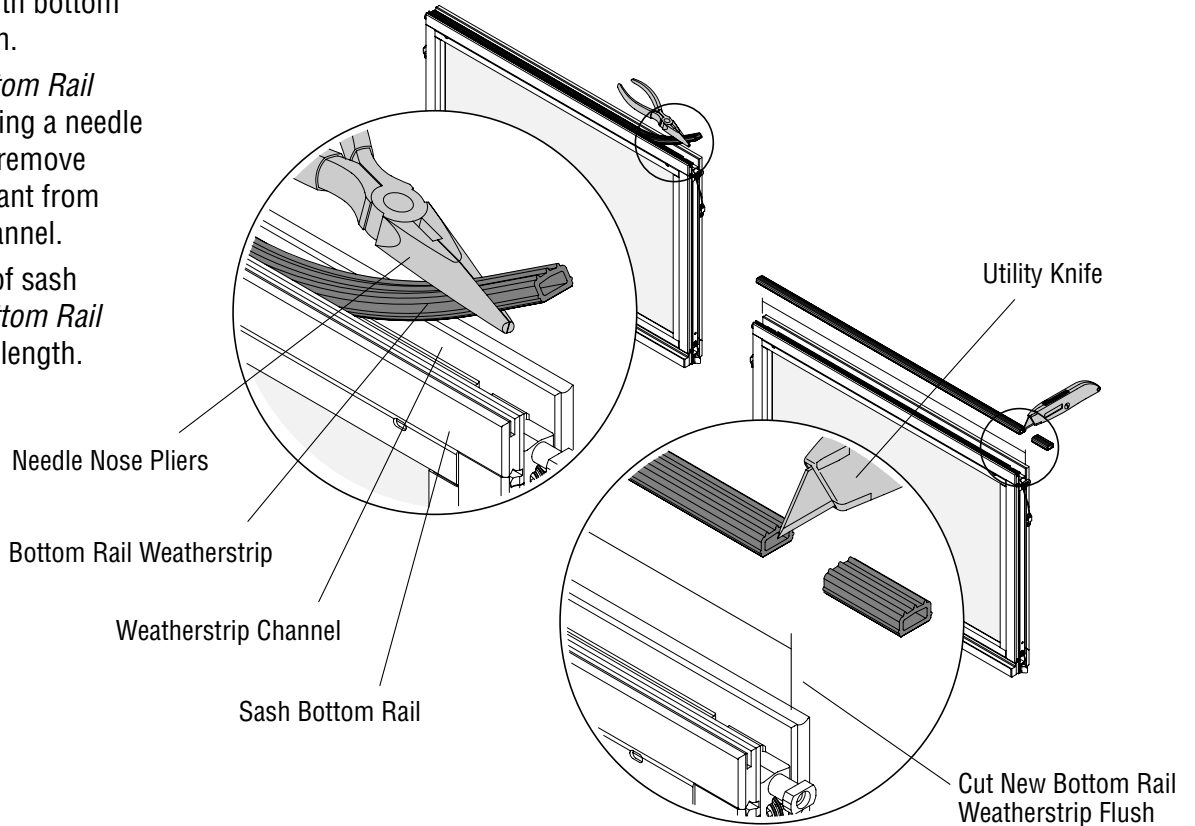
Use extreme care when working around window opening. Never leave a window opening unattended, especially when children are present. Falling from window opening may result in severe personal injury or death.

- Grasp Sash firmly and lift one side of *Sash* until *Pivot Pins* on both sides of *Sash* are clear of frame and remove *Sash*. Set removed *Sash* aside in safe location.



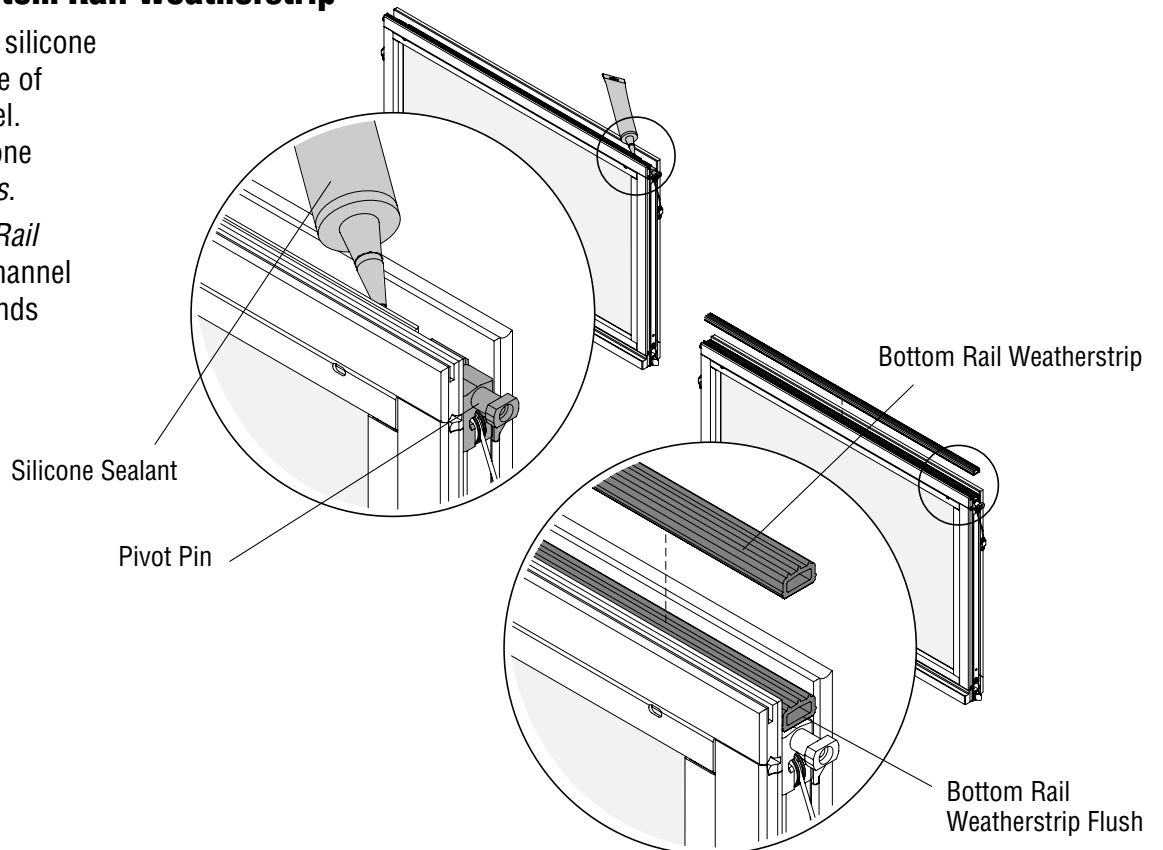
## 3. Prepare Sash and Bottom Rail Weatherstrip

- Position sash with bottom rail up, as shown.
- Pull out old *Bottom Rail Weatherstrip* using a needle nose pliers and remove old silicone sealant from weatherstrip channel.
- Measure width of sash and cut new *Bottom Rail Weatherstrip* to length.



## 4. Install New Bottom Rail Weatherstrip

- Apply 1/16" bead of silicone sealant down middle of weatherstrip channel. **DO NOT** apply silicone sealant to *Pivot Pins*.
- Press new *Bottom Rail Weatherstrip* into channel making sure both ends are flush.



### 7. Reinstall Lower Sash

- With the exterior side of the *Lower Sash* facing up, place the *Pivot Pins* into inner channel on *Side Jamb*.

#### **⚠ WARNING**

If Balance Cord is wrapped around Pivot Pin, Sash will not operate properly and may result in personal injury and/or product damage.

- Secure *Balance Cord Clips* to both sides of frame in inner channel on *Side Jamb*.

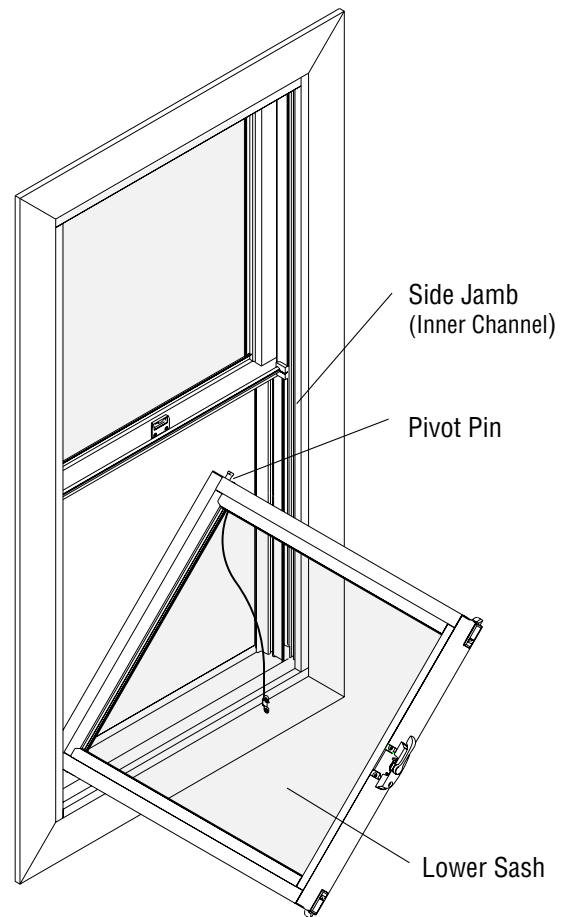
#### **⚠ WARNING**

If Balance Cord Clip is not installed correctly, knot towards side jamb, sash will not operate correctly. Sash may open potentially causing injury.

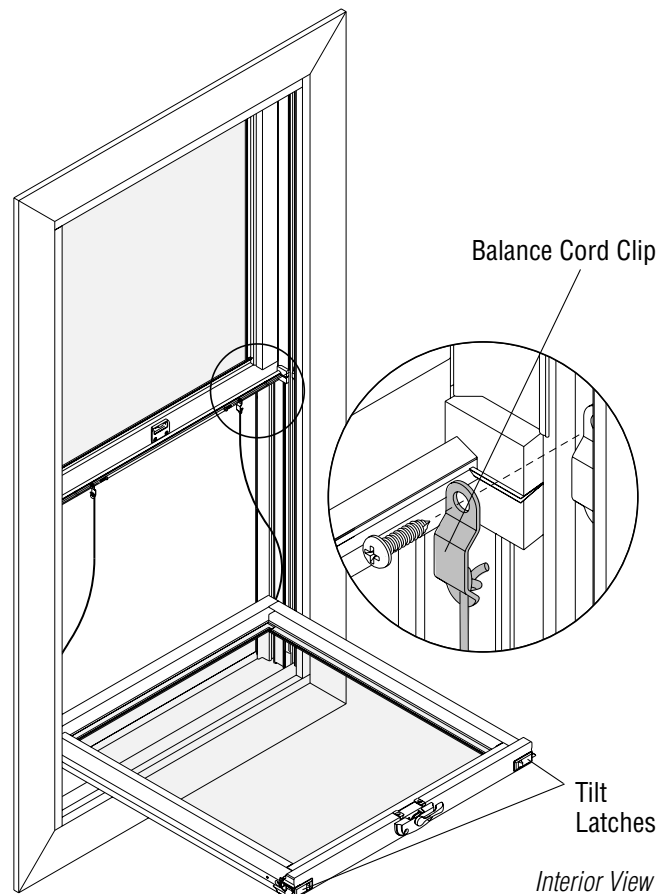
#### **⚠ WARNING**

If Sash balance is not re-engaged in the track by first pushing down on the Sash, it will quickly drop potentially causing injury.

- Slide *Tilt Latches* to open position and return *Lower Sash* to closed vertical position, checking for *Tilt Latch* engagement in *Jamb Channel* by pushing back and forth. Push *Lower Sash* down approximately 1" to engage *Sash Balances*.
- Close and lock sash for on hour for silicone sealant to set.



Interior View



Interior View