

Latch Lever Replacement

for Andersen® Perma-Shield® Gliding and Frenchwood® Gliding Patio Doors



IMPORTANT

Read all instructions carefully before attempting this procedure. If you have any questions about your ability to complete this procedure, call Andersen at 1-888-888-7020 for further direction. Andersen WindowCare® service center hours are Monday through Friday, 7 a.m. to 7 p.m. Central Time and Saturday, 8 a.m. to 4 p.m. Central Time. Thank you for choosing Andersen® products.

Important Safety, Assembly, and Installation Information

Every assembly and installation is different (windloads, structural support, etc.), and Andersen strongly recommends consultation with an Andersen supplier or an experienced contractor, architect, or structural engineer prior to the assembly and installation of any Andersen product. Andersen has no responsibility in regard to the post-manufactured assembly and installation of Andersen products.

⚠ WARNING

Use of ladders and/or scaffolding and working at elevated levels may be hazardous. Follow equipment manufacturer's instructions for safe operation. Use extreme caution when working around window and door openings. Falling from opening may result in personal injury or death.

⚠ WARNING

Improper use of hand or power tools could result in personal injury and/or product damage. Follow equipment manufacturer's instructions for safe operation. Always wear safety glasses.

⚠ WARNING

Weight of window and door unit(s) and accessories will vary. Use a reasonable number of people with sufficient strength to lift, carry, and install window and door unit(s) and accessories. Always use appropriate lifting techniques.

⚠ WARNING

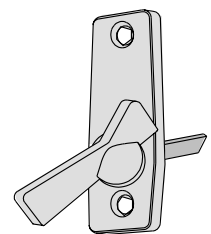
Improper installation may affect home security. For proper installation, read and follow each step of this installation guide.

Parts Included

- (1) Latch Lever
- (1) Instruction Guide

Tools and Supplies Needed

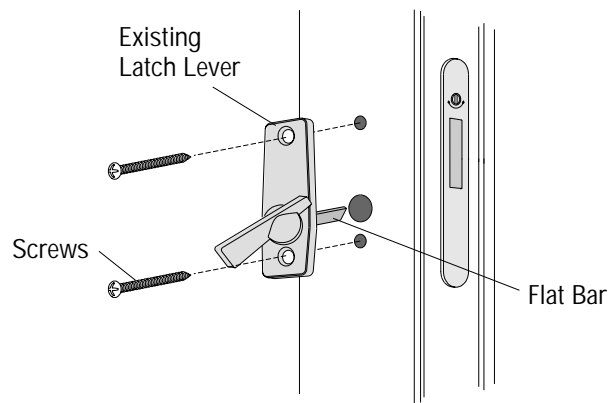
- Safety Glasses
- Electric Drill
- 1/2" Drill Bit
- Punch
- Phillips Screwdriver



Replacement Latch Lever

1. Prepare for Installation

- Remove screws holding existing *Latch Lever* and remove.
- If *Flat Bar* is not attached on existing *Latch Lever* and you have an exterior lock proceed to **Step 3**.
- If *Flat Bar* is attached to existing *Latch Lever* proceed to **Step 2**.



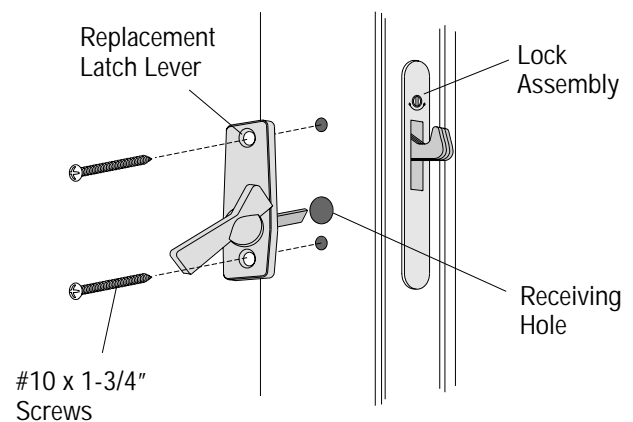
2. Apply Replacement Latch Lever

- Position replacement *Latch Lever* to door panel to test fit.
- If *Flat Bar* can be inserted all the way and engages fully, secure replacement *Latch Lever* to door panel using #10 x 1-3/4" screws.

CAUTION

DO NOT drill deeper than 1-1/2" when drilling through receiver hole into door panel. Drilling deeper than 1-1/2" will result in product damage.

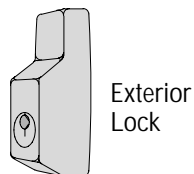
- If *Flat Bar* cannot be inserted all the way, remove both *Latch Lever* and *Lock Assembly*, then drill into receiver using a 1/2" drill bit. **DO NOT** drill deeper than 1-1/2".
- Secure replacement *Latch Lever* to door panel using #10 x 1-3/4" screws.



3. Remove Flat Bar From Replacement Latch Lever (Without Flat Bar or With Exterior Locks Only)

NOTICE

This step is for Latch Levers without a Flat Bar and exterior locks like the type shown at right **ONLY**.



- Remove *Flat Bar* on back of *Latch Lever* by punching out *Pin*. Discard *Pin* and *Flat Bar*.
- Secure *Latch Lever* to door panel using #10 x 1-3/4" screws.

