

**What's in This Section**

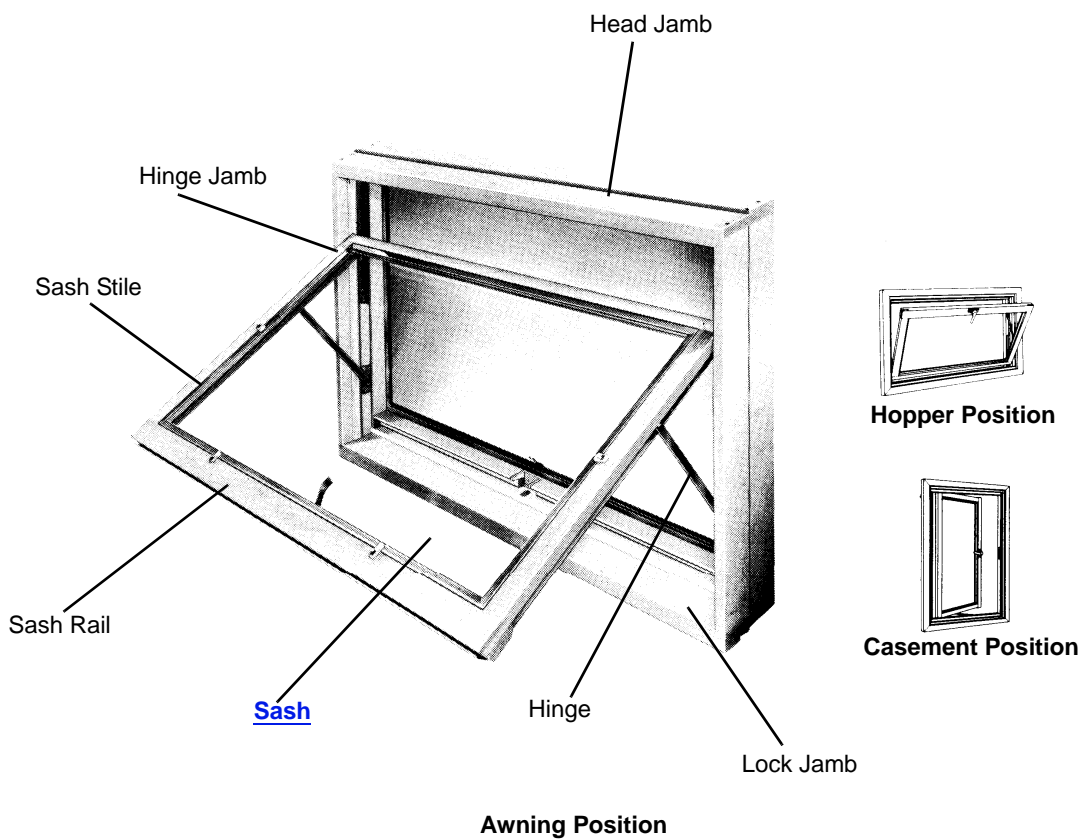
<b>Standard Windows</b> .....	<b>Page 3</b>
<b>Parts Illustration</b> .....	<b>3</b>
<b>Unit Sizes</b> .....	<b>4</b>
<b>Sash</b> .....	<b>5</b>
Sash Size Table .....	5
Sash Assembly .....	6
Sash .....	6
Weatherstrip .....	7
Sash Parts .....	7
<b>Removable Glazing Panel Parts</b> .....	<b>8</b>
Removable Glazing Panel Parts .....	8
<b>Insect Screens</b> .....	<b>9</b>
Insect Screens - Regular .....	9
Insect Screens - Type U .....	9
Insect Screens - Bar-Lock .....	9
Insect Screen Hardware .....	10
<b>Hardware</b> .....	<b>11</b>
Operator - Amerock / Roto-Lock (1959 - 1981) .....	11
Operator - Amerock / Lever Roto-Lock (1968 - 1972) .....	12
Operator - Amerock / Roto-Lock (1955 - 1959) .....	12
Operator - Standard Thompson / Roto-Lock (1954 - 1955) .....	13
Operator - Bar-Lock / Hopper Lock / Snap Lock / Awning Lock (1954 - 1979) .....	14
Hinge Hardware .....	15
<b>Frames</b> .....	<b>16</b>
Frame Assembly .....	16
Stops .....	17



**Unit Parts**

**Note:**

When Flexivent unit is installed in the inswing (hopper) position, priming will appear on interior of frame and sash. Limited replacement parts are available. Construction is all wood.



Manufactured 1952 to 1979

**Flexivent Window Unit Parts**

*Unit viewed from exterior.*

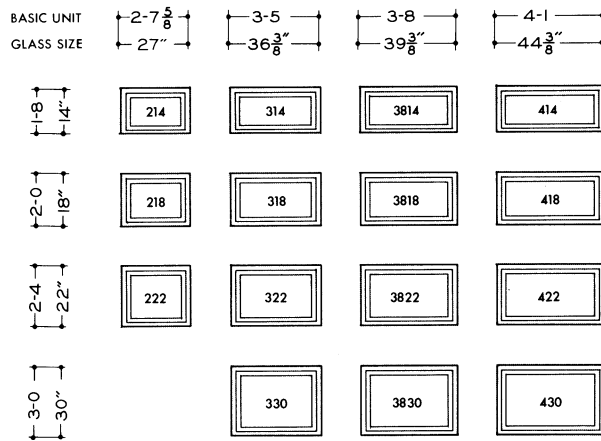
Unit Sizes

Unit Sizes

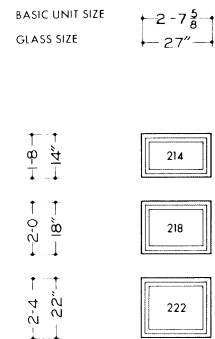
Note:

Unit Dim. refers to overall outside-to-outside frame. Rgh. Opg. refers to rough stud opening. Glass size refers to unobstructed (visible) glass dimensions.

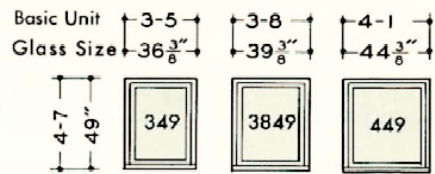
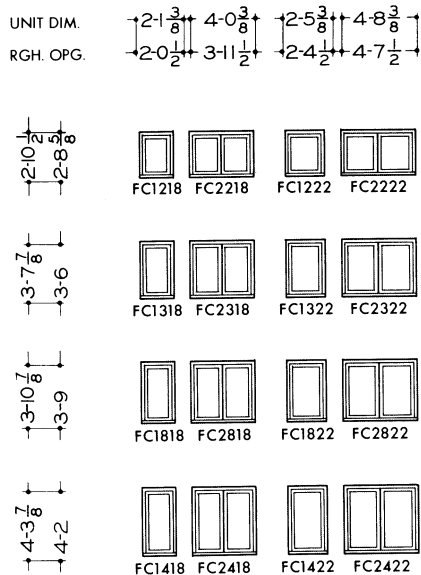
Awning Position



Basement Position



Casement Position



Flexivent Window Unit Sizes

Unit viewed from exterior.

## Sash

### Sash Size Table

#### Sash Size Table - Standard Window / Single Pane Glass

**Note:**

Single pane sash are no longer available. Replace with dual pane sash. If single pane unit/sash is installed in hopper position, replacement double pane sash will be primed on the interior.

#### Sash Size Table - Standard Window / Dual Pane Insulating Glass

**Note:**

Overall Sash is measured outside edge to outside edge of frame.

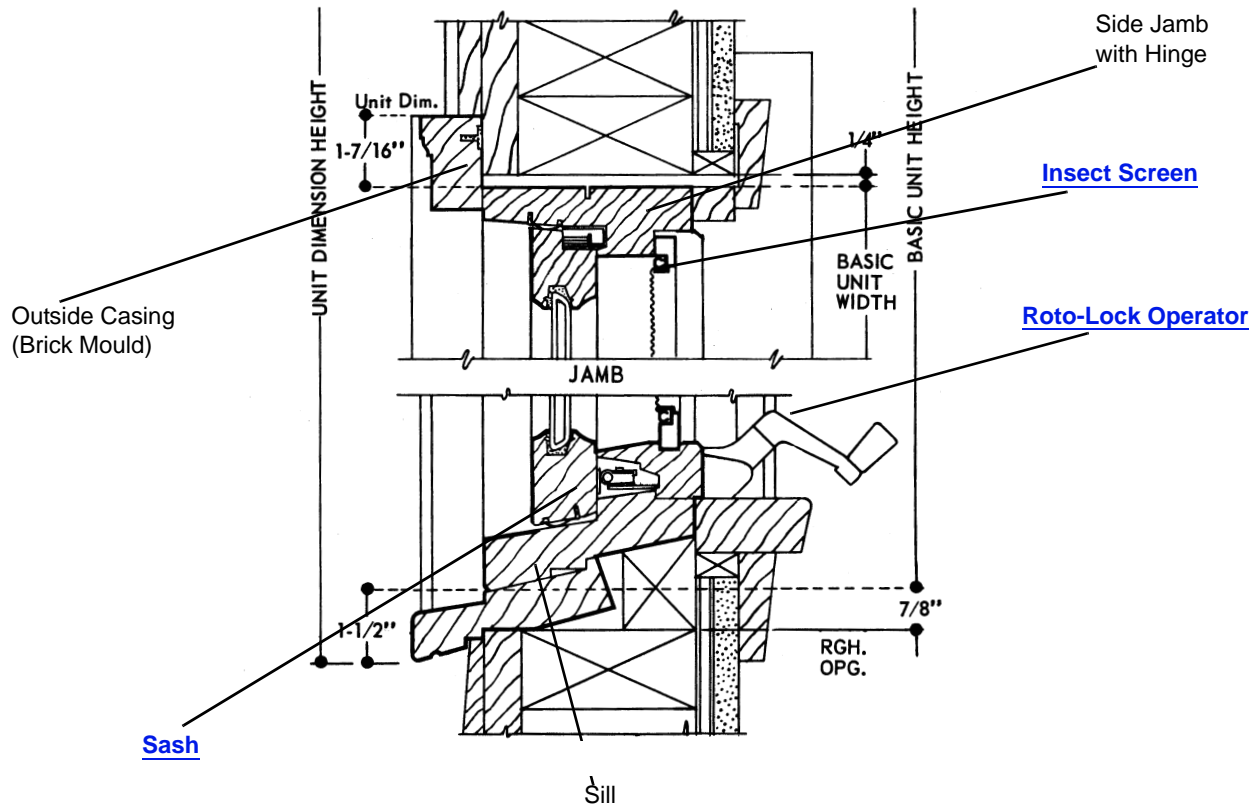
Unobstructed Glass is dimension from outside edge to outside edge of visible glass only.

Actual Glass is dimension of outside edge to outside edge of glass, including glass that is not visible.

Unit No.	Overall Sash (w x h)	Unobstructed Glass (w x h)	Actual Glass (w x h)
210	30 1/4 x 13 3/8	26 1/2 x 9 1/2	27 1/4 x 10 1/4
214	30 1/4 x 17 3/8	26 1/2 x 13 1/2	27 1/4 x 14 1/4
218	30 1/4 x 21 3/8	26 1/2 x 17 1/2	27 1/4 x 18 1/4
222	30 1/4 x 25 3/8	26 1/2 x 21 1/2	27 1/4 x 22 1/4
230	30 1/4 x 33 3/8	26 1/2 x 29 1/2	27 1/4 x 30 1/4
314	39 5/8 x 17 3/8	35 3/4 x 13 1/2	36 5/8 x 14 1/4
318	39 5/8 x 21 3/8	35 3/4 x 17 1/2	36 5/8 x 18 1/4
322	39 5/8 x 25 3/8	35 3/4 x 21 1/2	36 5/8 x 22 1/4
330	39 5/8 x 33 3/8	35 3/4 x 29 1/2	36 5/8 x 30 1/4
349	39 5/8 x 52 3/8	35 3/4 x 48 1/2	36 5/8 x 49 1/4
3810	42 5/8 x 13 3/8	39 1/8 x 9 3/4	39 5/8 x 10 1/4
3814	42 5/8 x 17 3/8	39 1/8 x 13	39 5/8 x 14 1/4
3818	42 5/8 x 21 3/8	39 1/8 x 17	39 5/8 x 18 1/4
3822	42 5/8 x 25 3/8	38 7/8 x 21 1/2	39 5/8 x 22 1/4
3830	42 5/8 x 33 3/8	38 7/8 x 29 1/2	39 5/8 x 30 1/4
3849	42 5/8 x 52 3/8	38 7/8 x 48 1/2	39 5/8 x 49 1/4
414	47 5/8 x 17 3/8	43 3/4 x 13 1/2	44 5/8 x 14 1/4
418	47 5/8 x 21 3/8	43 3/4 x 17 1/2	44 5/8 x 18 1/4
422	47 5/8 x 25 3/8	43 3/4 x 21 1/2	44 5/8 x 22 1/4
430	47 5/8 x 33 3/8	43 3/4 x 29 1/2	44 5/8 x 30 1/4
449	47 5/8 x 52 3/8	43 3/4 x 48 1/2	44 5/8 x 49 1/4

## Sash

### Sash Assembly



Flexivent Window Sash and Frame Assembly

### Sash

#### Complete Sash - Dual Pane / Vent and Stationary

Unit No.	Order No.	Unit No.	Order No.
210	0331208	3814V	0331240
214V	0331212	3818V	0331244
218V	0331216	3822V	0331248
222V	0331220	3830V	0331252
230	By description	3849	0331676
314V	0331224	414V	0331256
318V	0331228	418V	0331260
322V	0331232	422V	0331264
330V	0331236	430V	0331268
349	0331672	449	0331680
3810	By description		

## Sash


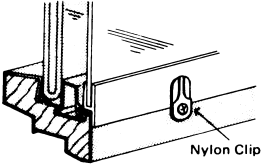
<b>Weatherstrip</b>		
Weatherstrip - Side Jamb		
	Unit No.	Order No.
	10	0355208
	14	0355212
	18	0355216
	22	0355220
	30/40	0355222
	49	0355224
Weatherstrip - Hinge Jamb		
	Unit No.	Order No.
	2	0354608
	3	N/A
	38	0354616
	4	0354620
Weatherstrip - Lock Rail		
	Unit No.	Order No.
	2	0354008
	3	0354012
	38	0354016
	4	0354020

<b>Sash Parts</b>		
Stile - Dual Pane (Pair)		
<b>Note:</b> No longer available, order replacement sash, <a href="#">page 6</a>	Unit No.	Order No.
	14	N/A
	18	
	22	
	49	

Rail - Hinge / 3/8" Glass		
<b>Note:</b> No longer available, order replacement sash, <a href="#">page 6</a>	Unit No.	Order No.
	2	N/A
	3	
	4	

Rail - Lock / 3/8" Glass		
<b>Note:</b> No longer available, order replacement sash, <a href="#">page 6</a>	Unit No.	Order No.
	2	N/A
	3	
	4	

**Removable Glazing Panel Parts**

<b>Removable Glazing Panel Parts</b>		
<b>Buttons and Screws - Removable Glazing Panel (Package of 8)</b>		
<p><b>REPLACEMENT GLAZING PANEL RETAINER CLIP</b></p>  <p><b>Truss Hd. Screw, Nylon Clip &amp; Collar Insert</b></p>  <p style="text-align: right; margin-right: 50px;">Nylon Clip</p>		<p><b>Order No.</b></p> <p>0338408</p>



## Insect Screens

Insect Screens - Regular					
<b>Note:</b> Regular insect screens are used with Snap lock, Awning lock and Hopper lock operator (see <a href="#">page 14</a> ) style units.					
Insect Screen - Regular					
Unit No.	Dimensions (w x h)	Green	Unit No.	Dimensions (w x h)	Green
210	29 <sup>7</sup> / <sub>16</sub> × 13 <sup>1</sup> / <sub>32</sub>	N/A	3814	41 <sup>13</sup> / <sub>16</sub> × 17 <sup>1</sup> / <sub>32</sub>	N/A
214	29 <sup>7</sup> / <sub>16</sub> × 17 <sup>1</sup> / <sub>32</sub>	N/A	3818	41 <sup>13</sup> / <sub>16</sub> × 21 <sup>1</sup> / <sub>32</sub>	N/A
218	29 <sup>7</sup> / <sub>16</sub> × 21 <sup>1</sup> / <sub>32</sub>	N/A	3822	41 <sup>13</sup> / <sub>16</sub> × 25 <sup>1</sup> / <sub>32</sub>	N/A
222	29 <sup>7</sup> / <sub>16</sub> × 25 <sup>1</sup> / <sub>32</sub>	N/A	3830	41 <sup>13</sup> / <sub>16</sub> × 33 <sup>1</sup> / <sub>32</sub>	N/A
314	38 <sup>13</sup> / <sub>16</sub> × 17 <sup>1</sup> / <sub>32</sub>	N/A	414	46 <sup>13</sup> / <sub>16</sub> × 17 <sup>1</sup> / <sub>32</sub>	N/A
318	38 <sup>13</sup> / <sub>16</sub> × 21 <sup>1</sup> / <sub>32</sub>	N/A	418	46 <sup>13</sup> / <sub>16</sub> × 21 <sup>1</sup> / <sub>32</sub>	N/A
322	38 <sup>13</sup> / <sub>16</sub> × 25 <sup>1</sup> / <sub>32</sub>	N/A	422	46 <sup>13</sup> / <sub>16</sub> × 25 <sup>1</sup> / <sub>32</sub>	N/A
330	38 <sup>13</sup> / <sub>16</sub> × 33 <sup>1</sup> / <sub>32</sub>	N/A	430	46 <sup>13</sup> / <sub>16</sub> × 33 <sup>1</sup> / <sub>32</sub>	N/A
3810	41 <sup>13</sup> / <sub>16</sub> × 13 <sup>1</sup> / <sub>32</sub>	N/A			

Insect Screens - Type U							
<b>Note:</b> Type U insect screens are used with Roto-Lock (see <a href="#">page 11</a> ) and Lever Roto-Lock operator (see <a href="#">page 12</a> ) style units.							
Insect Screen - Type U							
Unit No.	Dimensions (w x h)	Stone	Green	Unit No.	Dimensions (w x h)	Stone	Green
210	29 <sup>1</sup> / <sub>2</sub> × 12 <sup>1</sup> / <sub>16</sub>	8071101	N/A	3814	41 <sup>7</sup> / <sub>8</sub> × 16 <sup>1</sup> / <sub>16</sub>	8071105	N/A
214	29 <sup>1</sup> / <sub>2</sub> × 16 <sup>1</sup> / <sub>16</sub>	0325712	N/A	3818	41 <sup>7</sup> / <sub>8</sub> × 20 <sup>1</sup> / <sub>16</sub>	8071106	N/A
218	29 <sup>1</sup> / <sub>2</sub> × 20 <sup>1</sup> / <sub>16</sub>	0325716	N/A	3822	41 <sup>7</sup> / <sub>8</sub> × 24 <sup>1</sup> / <sub>16</sub>	8071107	N/A
222	29 <sup>1</sup> / <sub>2</sub> × 24 <sup>1</sup> / <sub>16</sub>	0325720	N/A	3830	41 <sup>7</sup> / <sub>8</sub> × 32 <sup>1</sup> / <sub>16</sub>	8071108	N/A
230	29 <sup>7</sup> / <sub>8</sub> × 32 <sup>1</sup> / <sub>16</sub>	8071102	N/A	414	46 <sup>7</sup> / <sub>8</sub> × 16 <sup>1</sup> / <sub>16</sub>	0325760	N/A
314	38 <sup>7</sup> / <sub>8</sub> × 16 <sup>1</sup> / <sub>16</sub>	0325724	N/A	418	46 <sup>7</sup> / <sub>8</sub> × 20 <sup>1</sup> / <sub>16</sub>	0325764	N/A
318	38 <sup>7</sup> / <sub>8</sub> × 20 <sup>1</sup> / <sub>16</sub>	0325728	N/A	422	46 <sup>7</sup> / <sub>8</sub> × 24 <sup>1</sup> / <sub>16</sub>	0325768	N/A
322	38 <sup>7</sup> / <sub>8</sub> × 24 <sup>1</sup> / <sub>16</sub>	0325732	N/A	430	46 <sup>7</sup> / <sub>8</sub> × 32 <sup>1</sup> / <sub>16</sub>	8077109	N/A
330	38 <sup>7</sup> / <sub>8</sub> × 32 <sup>1</sup> / <sub>16</sub>	8071103	N/A				
3810	41 <sup>7</sup> / <sub>8</sub> × 12 <sup>1</sup> / <sub>16</sub>	8071104	N/A				

Insect Screens - Bar-Lock					
<b>Note:</b> Bar-lock insect screens are used with Bar-Lock operator (see <a href="#">page 14</a> ) style units.					
Insect Screen - Bar-Lock					
Unit No.	Dimensions (w x h)	Green	Unit No.	Dimensions (w x h)	Green
210	29 <sup>7</sup> / <sub>16</sub> × 13 <sup>1</sup> / <sub>32</sub>	N/A	3814	41 <sup>13</sup> / <sub>16</sub> × 17 <sup>1</sup> / <sub>32</sub>	N/A
214	29 <sup>7</sup> / <sub>16</sub> × 17 <sup>1</sup> / <sub>32</sub>	N/A	3818	41 <sup>13</sup> / <sub>16</sub> × 21 <sup>1</sup> / <sub>32</sub>	N/A
218	29 <sup>7</sup> / <sub>16</sub> × 21 <sup>1</sup> / <sub>32</sub>	N/A	3822	41 <sup>13</sup> / <sub>16</sub> × 25 <sup>1</sup> / <sub>32</sub>	N/A

## Insect Screens

### Insect Screens - Bar-Lock

**Note:**

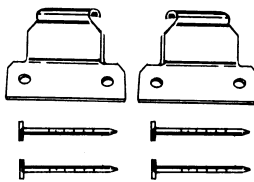
Bar-lock insect screens are used with Bar-Lock operator (see [page 14](#)) style units.

#### Insect Screen - Bar-Lock

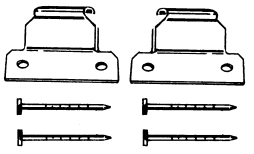
Unit No.	Dimensions (w x h)	Green	Unit No.	Dimensions (w x h)	Green
222	29 <sup>7</sup> / <sub>16</sub> × 25 <sup>1</sup> / <sub>32</sub>	N/A	3830	41 <sup>13</sup> / <sub>16</sub> × 33 <sup>1</sup> / <sub>32</sub>	N/A
314	38 <sup>13</sup> / <sub>16</sub> × 17 <sup>1</sup> / <sub>32</sub>	N/A	414	46 <sup>13</sup> / <sub>16</sub> × 17 <sup>1</sup> / <sub>32</sub>	N/A
318	38 <sup>13</sup> / <sub>16</sub> × 21 <sup>1</sup> / <sub>32</sub>	N/A	418	46 <sup>13</sup> / <sub>16</sub> × 21 <sup>1</sup> / <sub>32</sub>	N/A
322	38 <sup>13</sup> / <sub>16</sub> × 25 <sup>1</sup> / <sub>32</sub>	N/A	422	46 <sup>13</sup> / <sub>16</sub> × 25 <sup>1</sup> / <sub>32</sub>	N/A
330	38 <sup>13</sup> / <sub>16</sub> × 33 <sup>1</sup> / <sub>32</sub>	N/A	430	46 <sup>13</sup> / <sub>16</sub> × 33 <sup>1</sup> / <sub>32</sub>	N/A
3810	41 <sup>13</sup> / <sub>16</sub> × 13 <sup>1</sup> / <sub>32</sub>	N/A			

### Insect Screen Hardware

#### Awning Lock Set - Hinge

		<b>Order No.</b>
		N/A

#### Strike with Nails - Metal

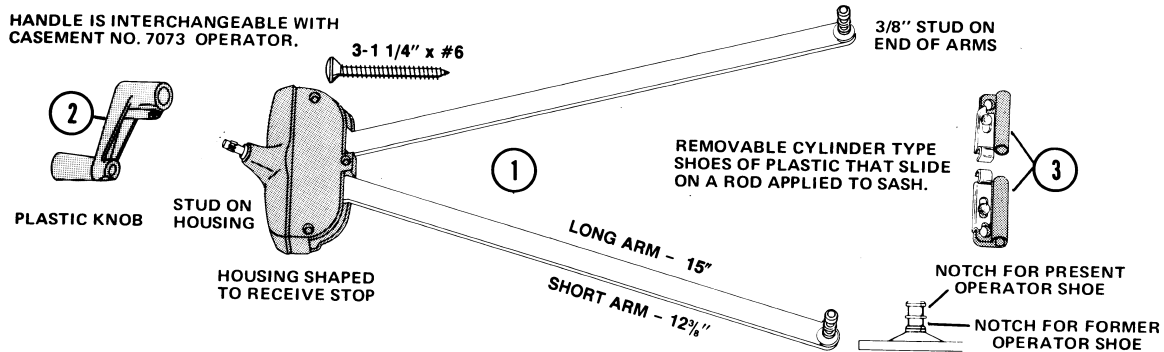
		<b>Order No.</b>
		N/A

## Hardware

### Operator - Amerock / Roto-Lock (1959 - 1981)

**Note:**

The short arm handle is standard. The long arm handle is used if a special stool has been applied to the sill and additional clearance is needed for the handle.



Manufactured June 1959 to October 1981

**Amerock Roto-Lock Hardware**

### Operator Set - Amerock / Roto-Lock (June 1959 to October 1981)

**Note:**

Operator set includes operator, handle, sash rod, and sash brackets (sash rod not pictured). 2 and 3 widths use short arm, 38 and 4 widths use long arm. Sizes shown in size grid, see [page 4](#).

Description	Bronze
Short Arm	0333808
Long Arm	0333908

### Handle - Amerock / Roto-Lock (June 1959 to October 1981) Ref. No. 2

**Note:**

Long arm handle is used if a special stool has been applied to the sill and extra clearance is needed for the handle.

Description	Finish	Order No.
Short Shank	Bronze	0536011
	Silver Satin	1361008
Long Shank	Bronze	0532308

### Rod - Amerock / Roto-Lock (June 1959 to October 1981)

**Note:**

To replace, order complete operator set which includes rod.

Length	Order No.
13 1/2	N/A
18 1/2	N/A

### Bracket - Amerock / Roto-Lock / Center Rod (June 1959 to October 1981)

**Note:**

Not shown in picture on [page 11](#). Holds sash rods in place at middle of sash.

Order No.
0334205

### Shoe - Amerock / Roto-Lock (Pair) (June 1959 to October 1981) Ref. No. 3

Bronze
0338908

Hardware

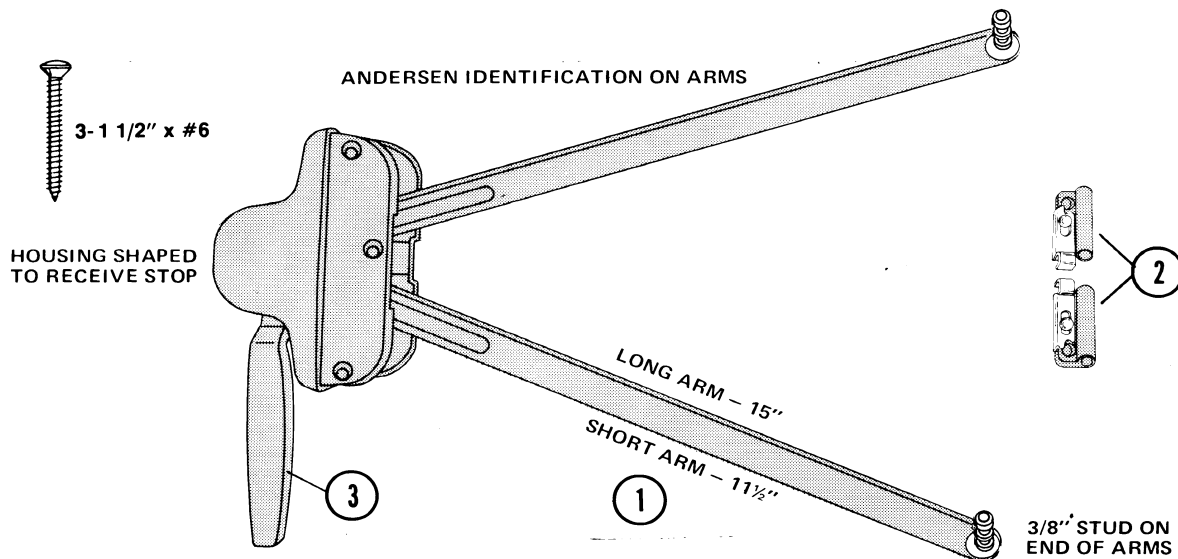
**Operator - Amerock / Lever Roto-Lock (1968 - 1972)**

**Note:**

No longer available. Use Amerock Roto-Lock Hardware (1959 to 1981) for replacement.

[See Illustration, page 11](#)

Specify long arm (15") or short arm (11").



Manufactured 1968 to 1972

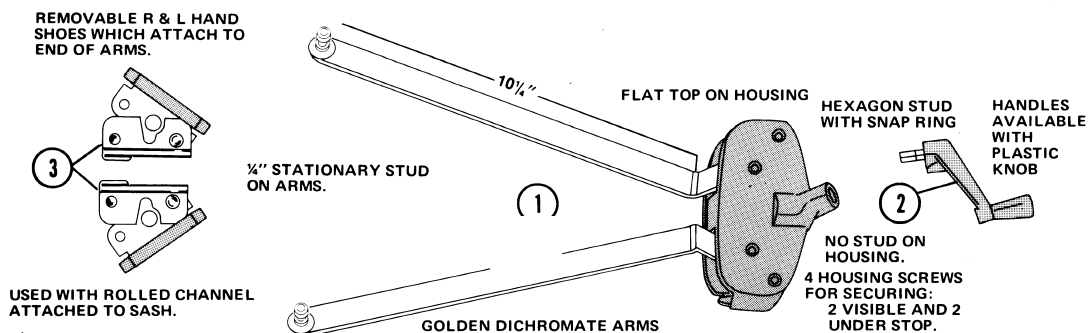
Amerock Roto-Lock Hardware

**Operator - Amerock / Roto-Lock (1955 - 1959)**

**Note:**

This hardware is no longer available. Use Amerock hardware June 1959 to October 1981 for replacement.

[See Illustration, page 11](#)



Manufactured July 1955 to June 1959

Amerock Hardware

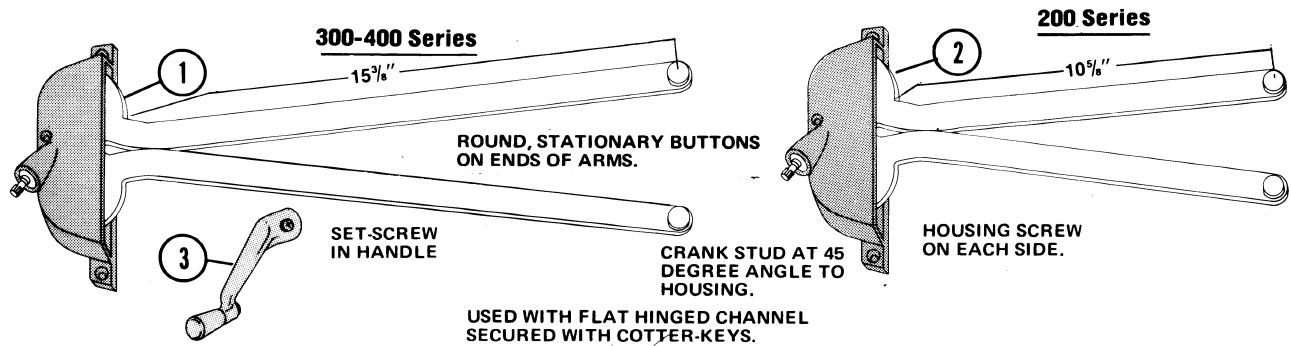
**Operator - Standard Thomson / Roto-Lock (1954 - 1955)**

**Note:**

This operator is no longer available. Use Amerock hardware June 1959 to October 1981 for replacement.

[See Illustration, page 11](#)

When replacing Standard Thomson operator with Amerock hardware attaching hardware is required. Sill stop may need to be modified.

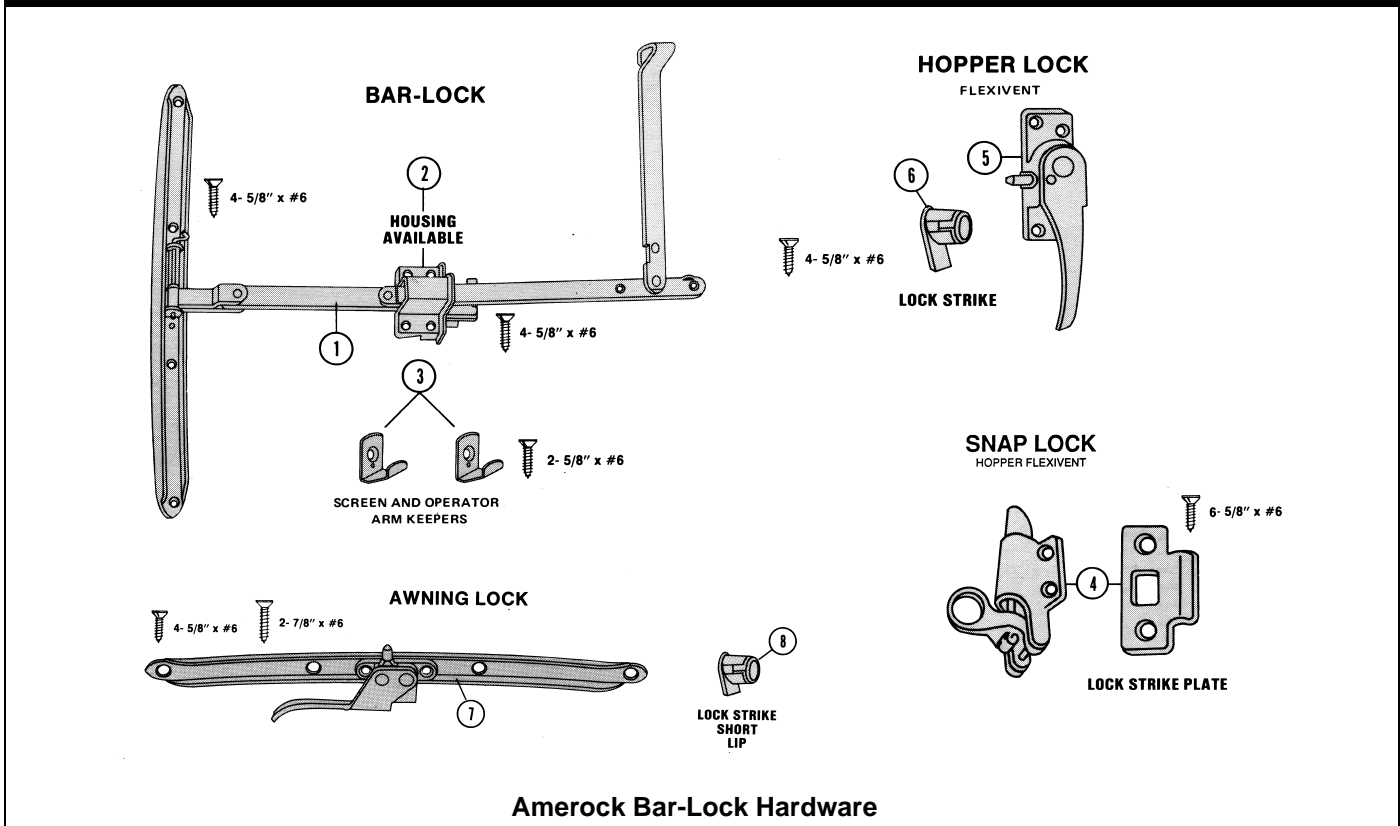


Manufactured March 1954 to July 1955

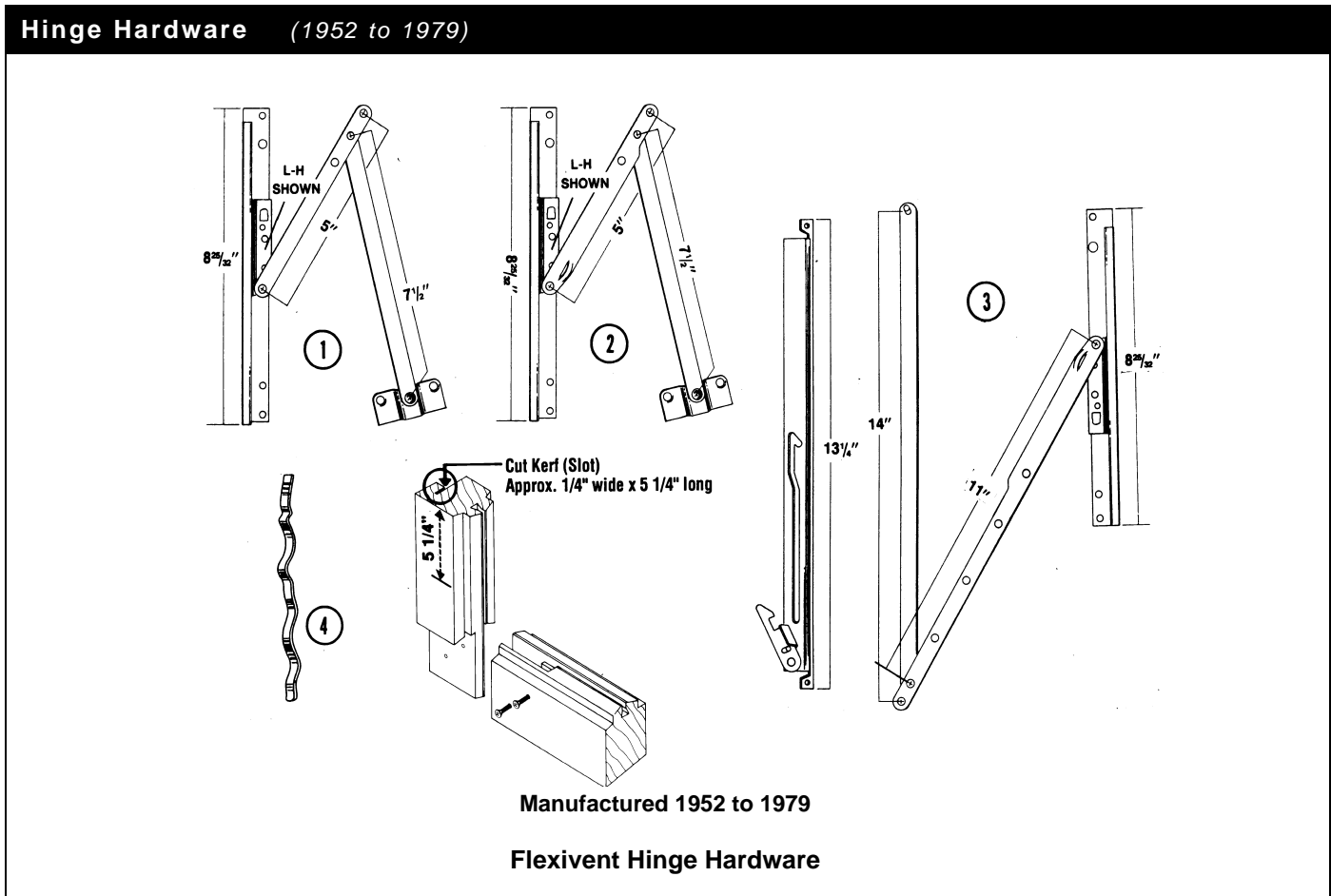
**Roto-Lock Standard Thomson Operator**

Hardware

**Operator - Bar-Lock / Hopper Lock / Snap Lock / Awning Lock (1954 - 1979)**



<b>Operator - Amerock / Bar-Lock / No. 7062</b> Ref. No. 1 and 2		<b>Bronze</b>
	<b>Note:</b> Includes housing, clips, and screws.	0336206
<b>Insect Screen and Operator Arm Keepers - Amerock / Bar-Lock</b> Ref. No. 3		<b>Order No.</b>
		N/A
<b>Hopper Sash Lock with Screws</b> Ref. No. 5		<b>Bronze</b>
		N/A
<b>Hopper Lock Strike - Amerock / Bar-Lock / Long Lip</b> Ref. No. 6		<b>Order No.</b>
		N/A
<b>Awning Lock - Amerock / Bar-Lock</b> Ref. No. 7		<b>Bronze</b>
		N/A
<b>Snap Lock - Amerock / Bar-Lock</b> Ref. No. 4		<b>Order No.</b>
		N/A

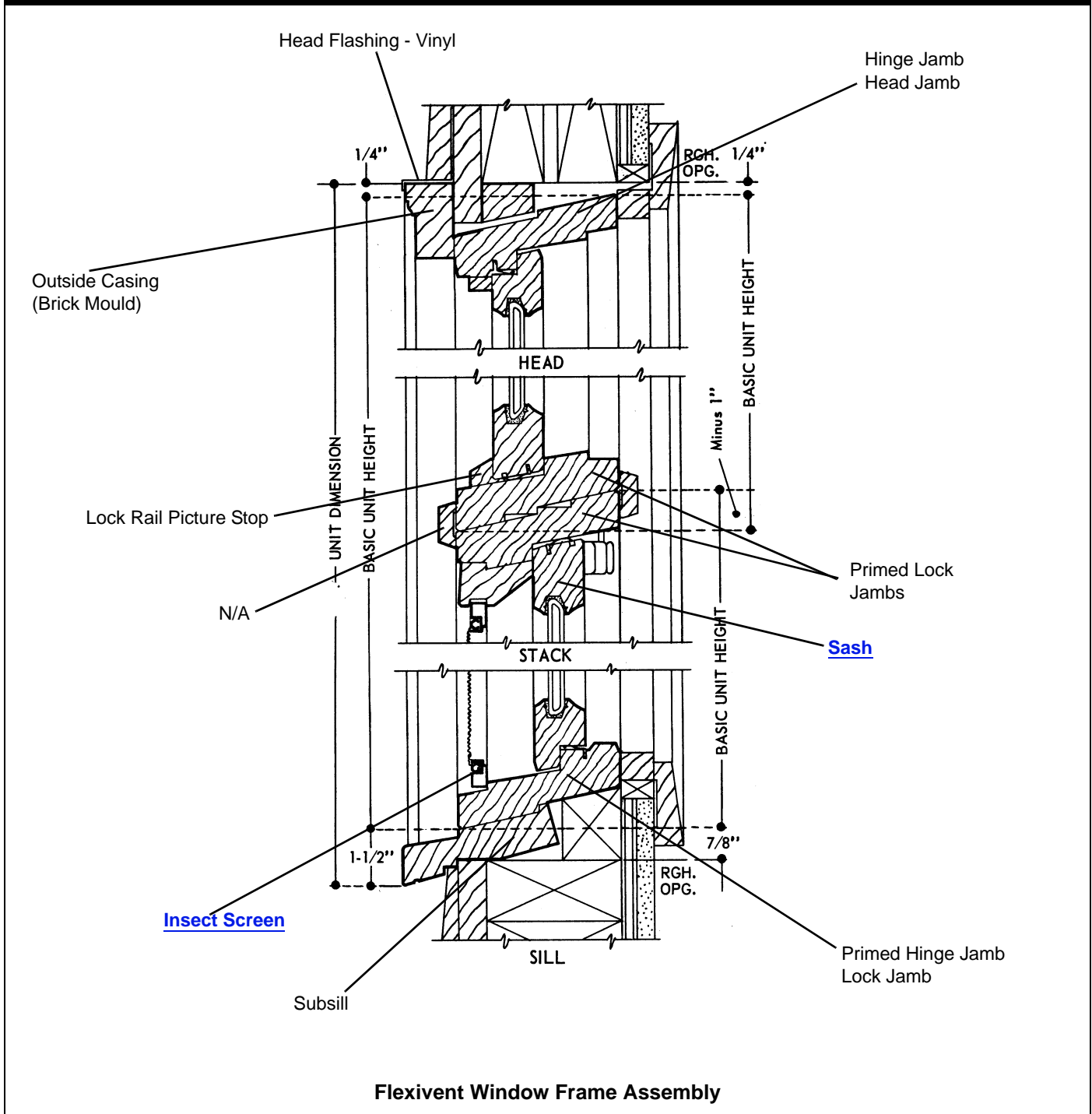


<b>Adjuster Arm Set with Screws (1954 to 1979) Ref. No. 2</b>				
<b>Note:</b> No longer available as of 1/1/09.	Adjuster No.	Glass Height	Length of Lower Leg (Rivet to Rivet)	Order No.
	10A	10	3	N/A
	14B	14 and 16	7 1/2	
	18C	18 and 20	9 1/2	
	22D	22 and 24	11 1/2	
	30E	30	13	

<b>Hinge Set with Screws - Egress (1954 to 1979) Ref. No. 3</b>		Order No.
		N/A
<b>Adjuster Arm Friction Spring (1954 to 1979) Ref. No. 4</b>		Order No.
		N/A

# Frames

## Frame Assembly





# Flexivent Windows (1952 to 1979)

Standard Windows

## Frames

<b>Stops</b>		
<b>Stop - Standard Window / Awning Lock</b>		
<b>Note:</b> No longer available as of 1/1/09.	<b>Unit No.</b>	<b>Order No.</b>
	A2	N/A
	A3	
	A38	
A4		
<b>Stop - Standard Window / Roto / Lever Lock</b>		
	<b>Unit No.</b>	<b>Order No.</b>
	R2	N/A
	R3	
	R38	
R4		
<b>Stop - Picture Window / Lock / Rail</b>		
<b>Note:</b> No longer available as of 1/1/09.	<b>Unit No.</b>	<b>Order No.</b>
	3	N/A
4		
<b>Stop - Picture Window / Sash</b>		
<b>Note:</b> No longer available as of 1/1/09.	<b>Unit No.</b>	<b>Order No.</b>
	49	N/A

**Notes**

---