

# Half Insect Screen Installation/Removal Guide

for Andersen® 200 Series Tilt-Wash Double-Hung Windows

Please read this guide completely before starting. For questions about this and other Andersen® products, call 1-888-888-7020.

For the most current version of this guide visit [www.andersenwindows.com](http://www.andersenwindows.com). Consult your local building code official for applicable building codes and regulations. Thank you for choosing Andersen® products.

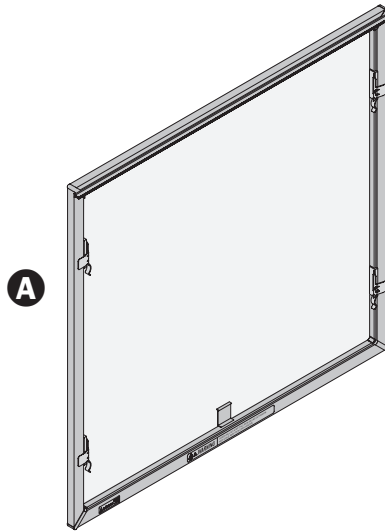
Please leave this information with homeowner.

## Parts Included

(1) Half Insect Screen

## Key

**A** Half Insect Screen



Read and follow these warnings during installation.

### **WARNING**



Screen will not stop child from falling out window. Keep child away from open window.

### **WARNING**

Use caution when working at elevated heights and around unit openings. Follow manufacturer's instructions for safe use of ladder and/or scaffolding. Failure to do so may result in injury or death.

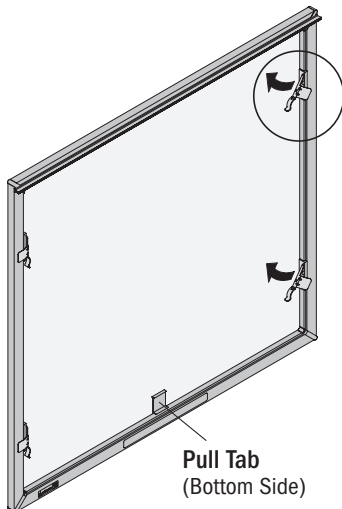
### **NOTICE**

Half insect screen can move up and down in the frame channel when latches are engaged. Slide insect screen down to sill.

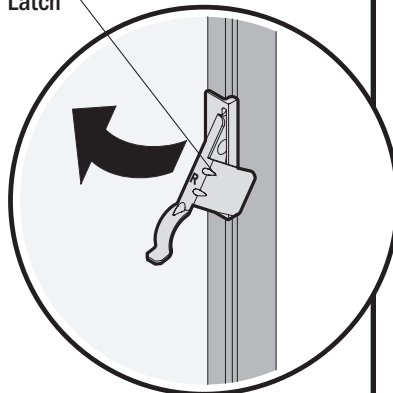
**1**

Interior

Do not open latches on opposite side.



Insect Screen Latch



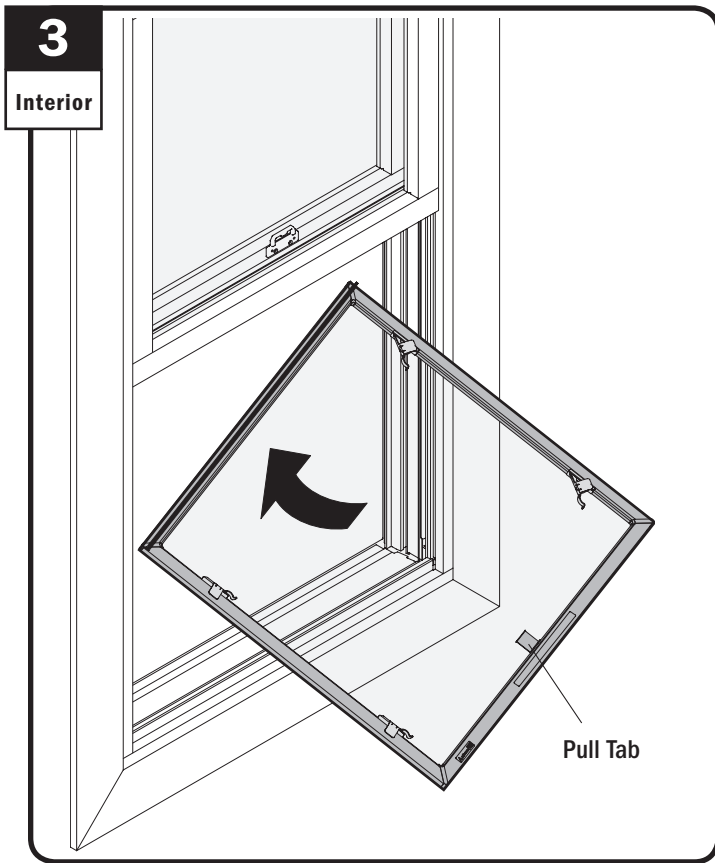
Open top and bottom latches on one side only.

**2**

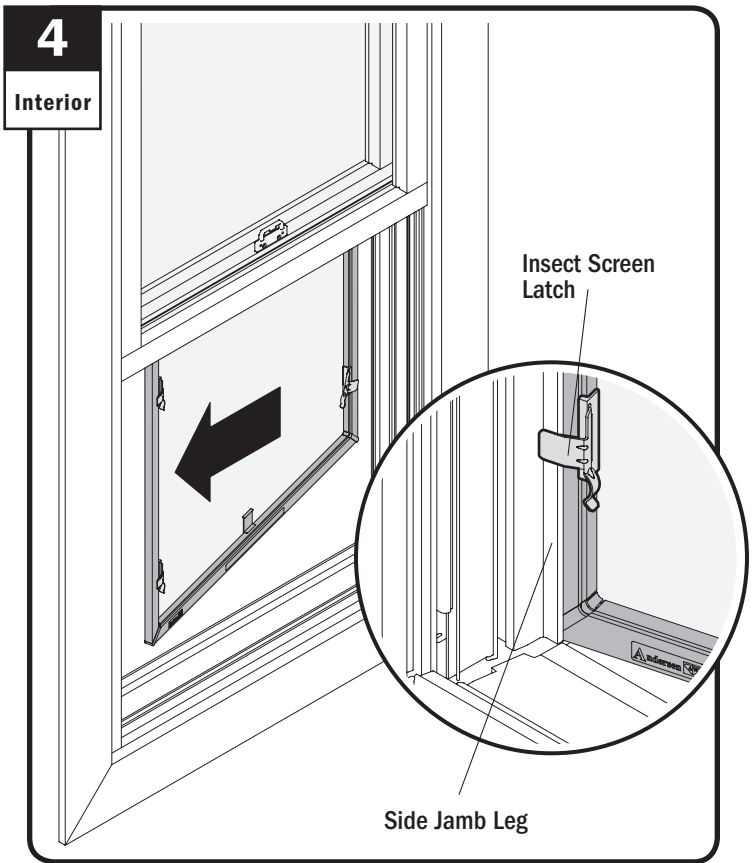
Interior



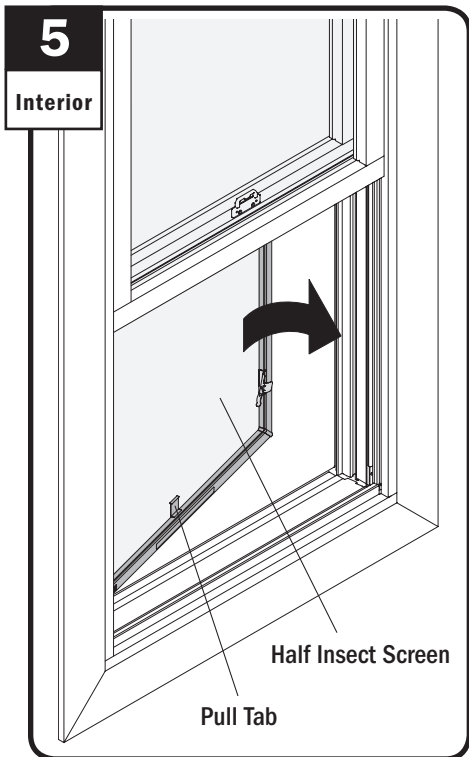
Unlock and fully open lower sash.



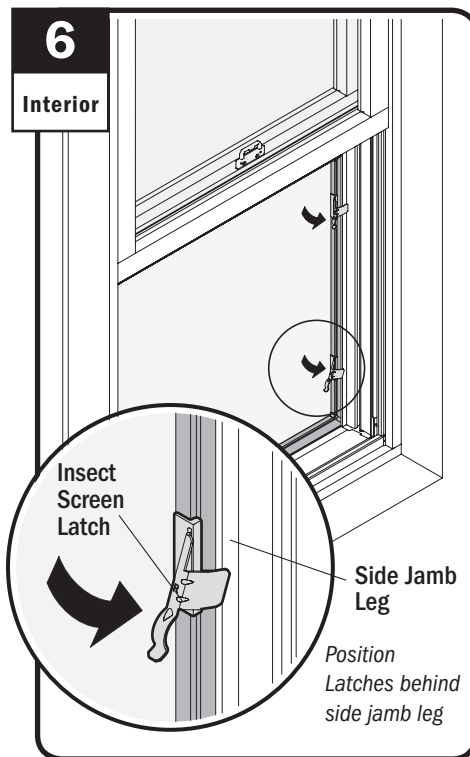
Hold sides near bottom of insect screen and pass through window opening.



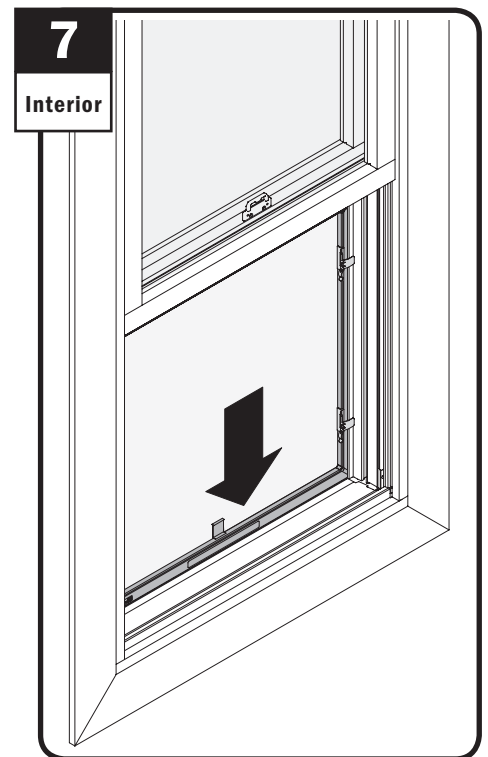
Push side with closed latches into side jamb. Position latches behind leg, as shown, creating a hinge point.



Rotate insect screen in using pull tab and latches.



Close latches.



Slide insect screen down to sill.  
**Installation is finished.**

► Reverse steps 2-6 for removing half insect screen.