

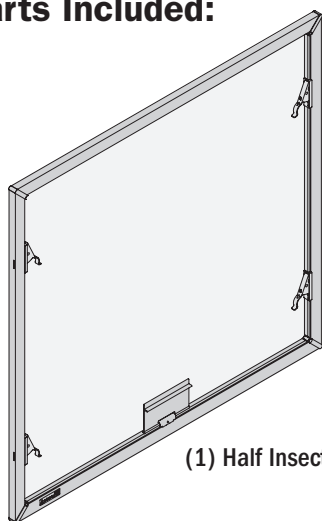
Half Insect Screen Installation and Removal Guide

Product Series: 400 Series

Product Type: Tilt-Wash Double-Hung Windows

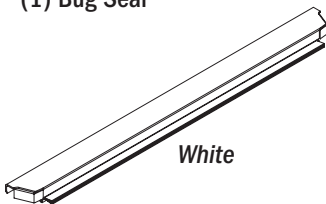
Read these instructions before starting procedure. For additional information visit www.andersenwindows.com. For questions call 1-888-888-7020.

Parts Included:



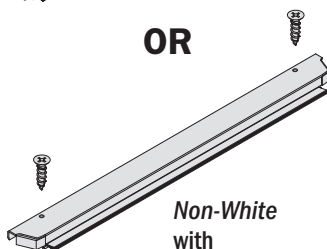
(1) Half Insect Screen

(1) Bug Seal



White

OR



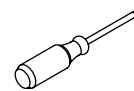
Non-White
with

(2) #6 x 3/8" Screws

Tools and Supplies Needed:



Safety
Glasses



Phillips
Screwdriver

WARNING



Screen will not stop child from falling out window. Keep child away from open window.

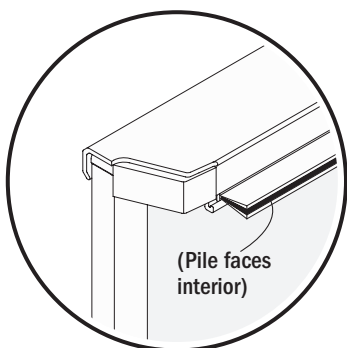
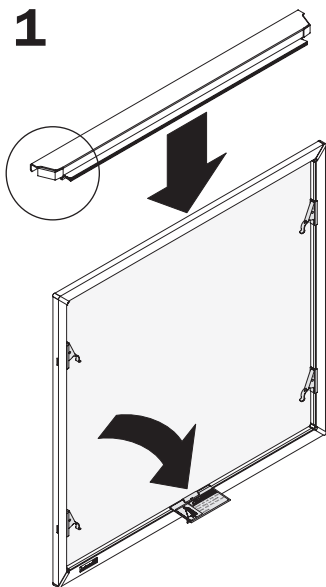
WARNING

Use caution when working at elevated heights and around window and door openings. Follow the manufacturers' instructions for ladders and scaffolding. Failure to do so could result in injury or death.

NOTICE

Half insect screen can move up and down in the frame channel when latches are engaged. Slide insect screen down to sill.

1

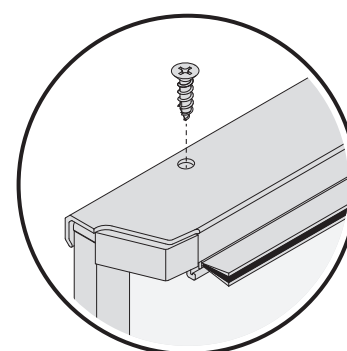
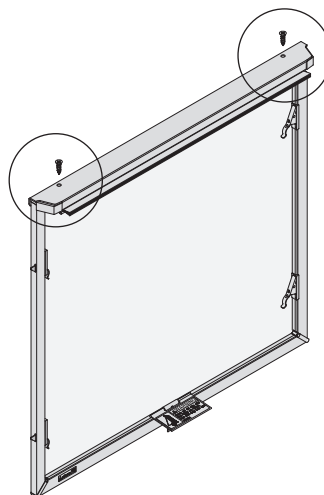


(Pile faces interior)

Position bug seal to top side of insect screen, as shown. Flip pull tab down.

2

Non-white Insect Screens Only



For non-white colors, fasten through the pre-drilled holes with screws provided.

