

Interior Grilles

for Andersen® 200 Series Tilt-Wash Double-Hung Windows



INSTALLER: Please leave this guide with the building owner to file for future reference.

For ease of installation and continued enjoyment of your Andersen® product, please read and follow this Instruction Guide completely. You may direct any questions about this or other products to your local Andersen dealer, found in the Yellow Pages under “Windows”, or call Andersen WindowCare® service center at 1-888-888-7020 Monday through Friday, 7 a.m. to 7 p.m. Central Time and Saturday, 8 a.m. to 4 p.m. Central Time. Assembly and installation of Andersen products is the sole responsibility of the architect, building owner, contractor and/or consumer and Andersen has no responsibility in this regard. Thank you for choosing Andersen.

⚠ WARNING

Use of ladders and/or scaffolding and working at elevated levels may be hazardous. Follow equipment manufacturer's instructions for safe operation. Use extreme caution when working around window and door openings. Falling from opening may result in personal injury or death.

⚠ WARNING

Improper use of hand or power tools could result in personal injury and/or product damage. Follow equipment manufacturer's instructions for safe operation. Always wear safety glasses.

⚠ WARNING

Weight of window and door unit(s) and accessories will vary. Use a reasonable number of people with sufficient strength to lift, carry, and install window and door unit(s) and accessories. Always use appropriate lifting techniques.

NOTICE

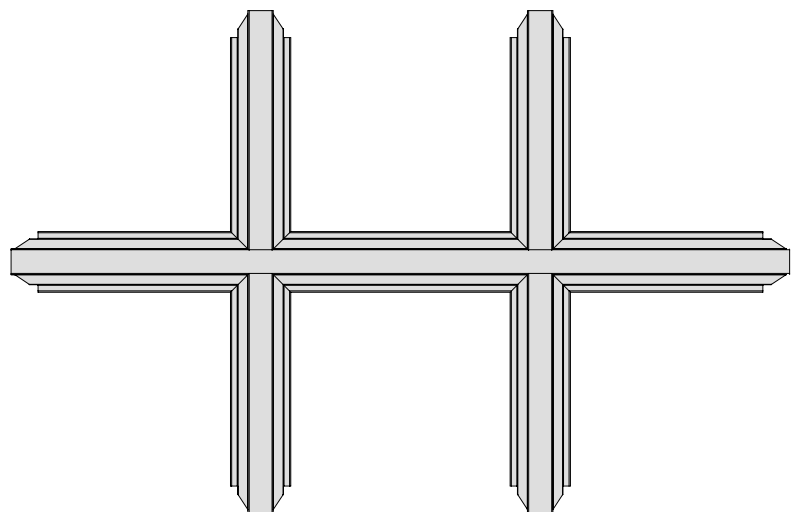
Finish Grille prior to installation following finishing instructions at end of the guide.

Parts Included

- (1) Instruction Guide
- (1) Grille

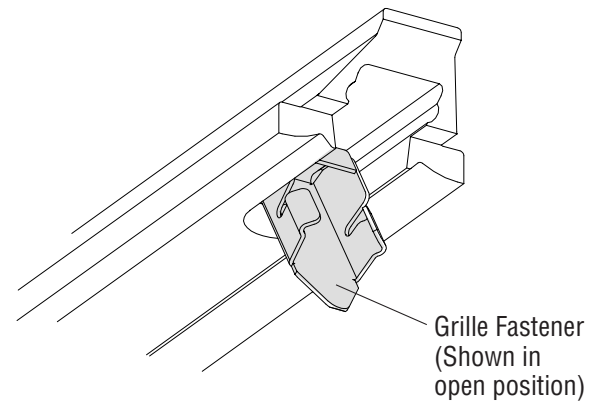
Tools & Supplies

- Window Cleaner
- Cleaning Towel



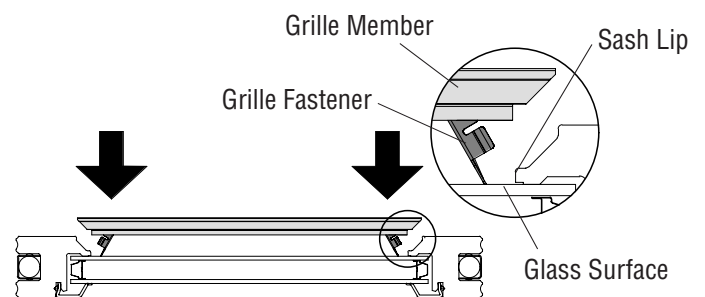
1. Prepare Unit and Interior Grille

- Clean glass and sash before *Grille* installation.
- Remove *Grille* from packaging and make sure there are *Grille Fasteners* in each end. Pivot all *Grille Fasteners* to full open position.

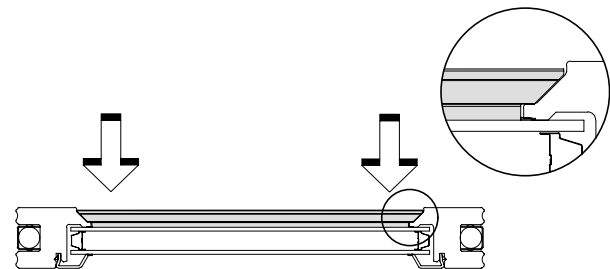


2. Apply Grille on Sash

- Center *Grille* vertically and horizontally on glass and apply light pressure on both ends of a single vertical member to begin engagement of *Grille Fasteners*. Repeat for remaining *Grille Members*.
- Apply firm pressure to *Grille Member* tips until *Grille* is seated tight against glass. Make sure all *Grille Fasteners* are properly engaged between glass and sash lip.



Note: Cross sections shown for clarity.



Finishing, Cleaning, and Maintenance Instructions

⚠ CAUTION

DO NOT expose unfinished wood to high moisture conditions, excessive heat or humidity. Finish interior wood surfaces immediately after installation. Unfinished wood surfaces will discolor, deteriorate, and/or may bow and split.

INTERIOR FINISHING

Read and follow finishing manufacturer's instructions and warnings on each container of finish material for priming, painting, staining, and varnishing.

CLEANING

To clean glass, grille can be removed by following **Steps 1** and **2** in reverse order.

MAINTENANCE

Immediately sand and refinish any interior wood that becomes stained or mildewed to prevent further discoloration and/or damage. For further information, contact your local Andersen dealer. Dealers can be found in the Yellow Pages under Windows.