

Interior Jamb Extension Options



for Andersen® Casement, Awning, Picture Window, and Specialty Windows

INSTALLER: Please leave this guide with the building owner to file for future reference.

Congratulations! You have just purchased one of the many fine Andersen products. For ease of installation and continued enjoyment of your Andersen product, please read and follow this Instruction Guide completely. If your abilities do not match this procedure's requirements contact an experienced contractor. You may direct any questions about this or other products to your local Andersen dealer. Andersen dealers can be found in the Yellow Pages under Windows. Thank you for choosing Andersen.

Important Safety, Assembly, and Installation Information

Proper assembly, installation and maintenance of Andersen products is essential if the benefits of experienced product design and engineering, quality materials, and skilled workmanship are to be fully attained. Every assembly and installation is different (windloads, structural support, etc.) and, Andersen strongly recommends consultation with an Andersen supplier or an experienced contractor, architect, or structural engineer prior to the assembly and installation of any Andersen product. Assembly and installation of Andersen products is the sole responsibility of the architect, building owner, contractor and/or consumer and Andersen has no responsibility in this regard.

⚠️ WARNING

Use of ladders and/or scaffolding and working at elevated levels may be hazardous. Follow equipment manufacturer's instructions for safe operation. Use extreme caution when working around window and door openings. Personal injury and/or falls could occur.

⚠️ WARNING

Improper use of hand or power tools could result in personal injury and/or product damage. Follow equipment manufacturer's instructions for safe operation. Always wear safety glasses.

⚠️ WARNING

Weight of window and door unit(s) and accessories will vary. Use a reasonable number of people with sufficient strength to lift, carry, and install window and door unit(s) and accessories. Always use appropriate lifting techniques.

⚠️ CAUTION

- Unless specifically ordered, Andersen windows are not equipped with safety glass, and if broken, could fragment causing injury. Many laws and building codes require safety glass in locations adjacent to or near doors. Andersen windows are available with safety glass that may reduce the likelihood of injury when broken. Information on safety glass is available from your local Andersen dealer.
- Do not apply any type of film to glass. Thermal stress conditions resulting in glass damage could occur.
- The use of movable insulating materials such as window coverings, shutters, and other shading devices may damage glass and/or vinyl. In addition, excessive condensation may result causing deterioration of window unit.

Parts Included

(1) Extension Jamb Set

Tools and Materials Required for Procedure

- Hammer
- Pin Punch
- Drill
- 5/32" Drill Bit
- Trim Screws
- Safety Glasses
- Power Nail Gun
- Finish Nails (4d, 6d)
- Corrugated Staple Gun
- Corrugated Staples (11/16" x 3/8")
- Magnetic Screwdriver Bit

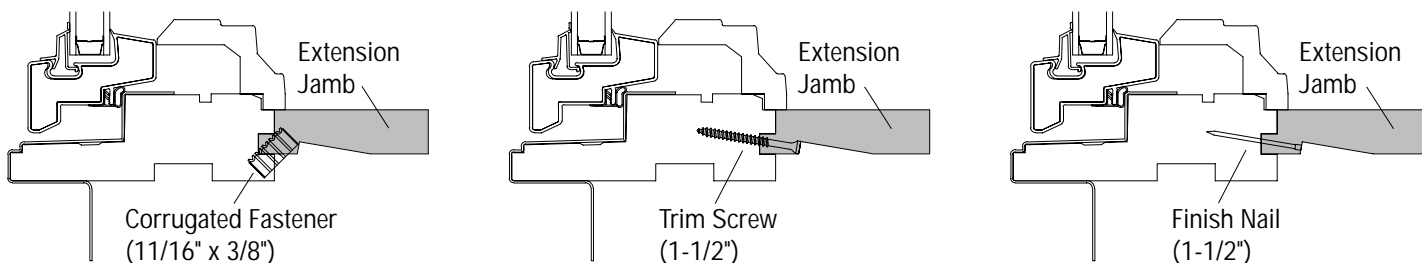
NOTICE

For Options 1 & 2

Fasten Extension Jamb ends together as shown. This can be done prior to unit installation or after unit is installed using finish nails or trim screws.

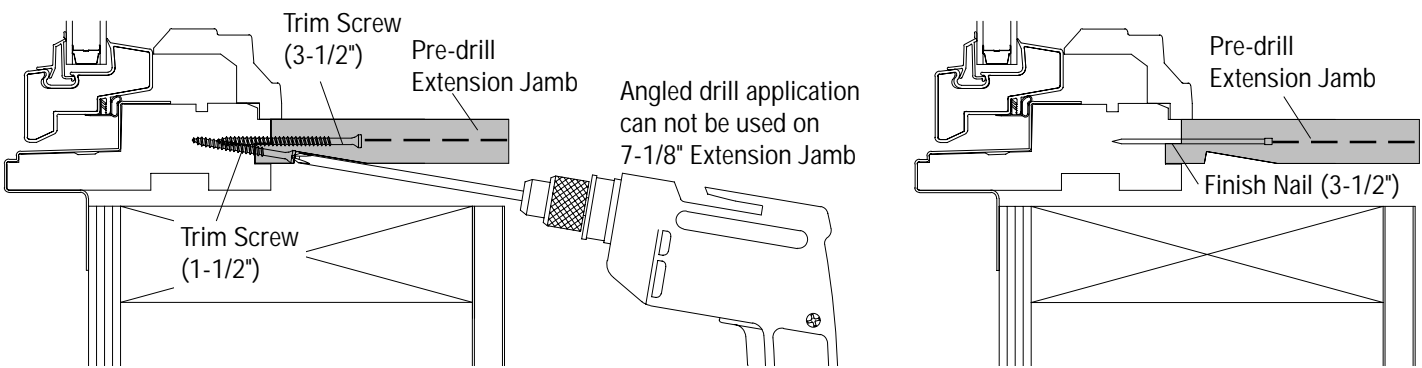
Option 1. Extension Jamb Application Prior to Unit Installation (All extension jamb sizes)

- Position Extension Jamb into Extension Jamb groove on frame and fasten using one of the methods illustrated.
- Space fasteners evenly 12" to 16" apart.



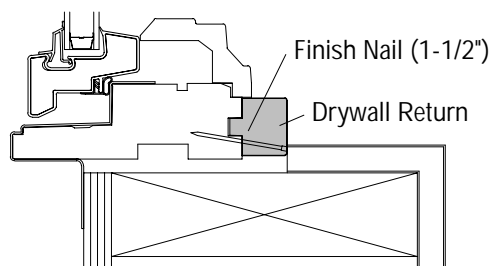
Option 2. Extension Jamb Application After Unit Installation

- Position Extension Jamb into Extension Jamb groove on frame.
- Predrill a 5/32" hole in 7-1/8" Extension Jamb and fasten using one of the methods illustrated.
- Space fasteners evenly 12" to 16" apart.



Option 3. Drywall Return Application

- Position Drywall Return Piece into Extension Jamb groove on frame and fasten using finish nails as illustrated.
- Space fasteners evenly 12" to 16" apart.



Finishing, Cleaning, and Maintenance Instructions

CAUTION

- Do not expose unfinished wood to high moisture conditions, excessive heat or humidity. Finish interior wood surfaces immediately after installation. Discoloration, bowing and/or splitting may result.
- Do not stain or paint; weatherstrips, silicone beads, sash, or hardware.

INTERIOR FINISHING

Andersen has determined that two coats of polyurethane varnish or two coats of paint plus a primer are needed to protect natural wood surfaces. Without these finishes, wood surfaces will discolor and deteriorate from moisture and fungal attack. Please follow these instructions carefully to make sure of satisfactory results. Andersen assumes no liability for incorrectly finished windows or window damage caused by not following these instructions. Before you begin, thoroughly read and follow the instructions and warnings on each container of finish material.

Before Finishing

- Set all nails with a punch to 1/16" below the wood surface. Nail holes can be filled before or after finishing. Lightly sand the wood surfaces with 220-grit sandpaper. Wipe away dust or dirt with a clean cloth before proceeding.

Natural Finish

- Apply a quality polyurethane finish following manufacturer's directions.
- Lap the finish coat 1/16" onto the glass to form a water seal between the glass and wood.

Staining

- Apply a pre-stain to achieve a more uniform appearance. Apply the pre-stain in the direction of the wood grain.
- Apply the stain according to the manufacturer's instructions. Apply the stain in the direction of the wood grain.
- Apply a quality polyurethane finish following manufacturer's directions.
- Lap the finish coat 1/16" onto the glass to form a water seal between the glass and wood.

Painting

- Apply one coat of quality primer/sealer.
- Apply two coats of quality trim paint according to the manufacturer's instructions. Be sure to lap the finish coat 1/16" onto the glass to form a water seal between glass and wood. Let dry for 24 hours.

CLEANING

- To clean Casement Windows from interior, open unit fully, allowing optimum access to outside glass surface.
- To clean Awning Windows from interior, open unit approximately 4 inches. Lift Operator Shoe up to remove from Operator Rod. Swing Sash up fully and block open with support piece.
- Clean exterior frame, sash members, and screens using a mild detergent and water solution and a soft cloth or brush. Abrasive cleaners or solutions containing corrosive solvents should not be used. For persistent dirt or grime, Mr. Clean® or Soft Scrub® brand cleansers or a mixture of water and alcohol or ammonia can be used.

MAINTENANCE

- Immediately sand and refinish any interior wood that becomes stained or mildewed to prevent discoloration and/or damage.
- For further information, contact your local Andersen® supplier. Suppliers can be found in the Yellow Pages under Windows.