

# Insect Screen Replacement

for Andersen® Frenchwood® Outswing Patio Door Retractable Insect Screen (Post-August, 2002)



## Limited Publication Release

### IMPORTANT

Read all instructions carefully before attempting this procedure. If you have any questions about your ability to complete this procedure, call Andersen at 1-888-888-7020 for further direction. Andersen WindowCare® service center hours are Monday through Friday, 7 a.m. to 7 p.m. Central Time and Saturday, 8 a.m. to 4 p.m. Central Time. Thank you for choosing Andersen® products.

### Important Safety, Assembly, and Installation Information

Every assembly and installation is different (windloads, structural support, etc.), and Andersen strongly recommends consultation with an Andersen supplier or an experienced contractor, architect, or structural engineer prior to the assembly and installation of any Andersen product. Andersen has no responsibility in regard to the post-manufactured assembly and installation of Andersen products.

#### **⚠ WARNING**

Use of ladders and/or scaffolding and working at elevated levels may be hazardous. Follow equipment manufacturer's instructions for safe operation. Use extreme caution when working around window and door openings. Falling from opening may result in personal injury or death.

#### **⚠ WARNING**

Improper use of hand or power tools could result in personal injury and/or product damage. Follow equipment manufacturer's instructions for safe operation. Always wear safety glasses.

#### **⚠ WARNING**

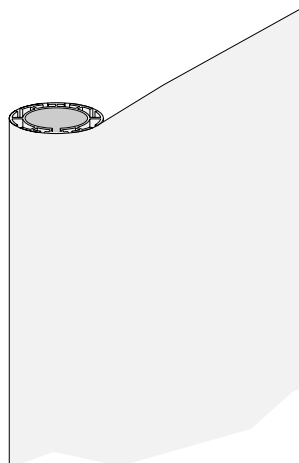
Weight of window and door unit(s) and accessories will vary. Use a reasonable number of people with sufficient strength to lift, carry, and install window and door unit(s) and accessories. Always use appropriate lifting techniques.

#### Parts Included

- (1) Instruction Guide
- (1) Insect Screen/Core
- (1) Pile Opener

#### Tools and Supplies

- Safety Glasses
- Phillips Screwdriver
- 3/8" Socket Drive



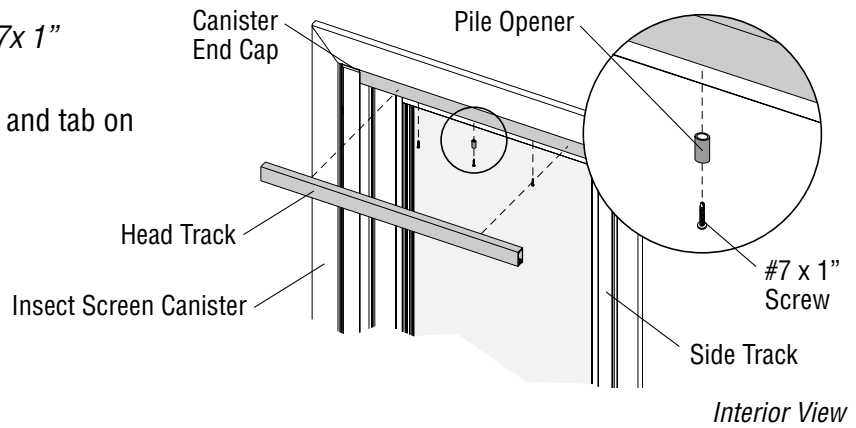
Insect Screen/ Core  
 (2573120) 8'-0"  
 (2573121) 6'-11"  
 (2573122) 6'-8"



Pile Opener  
 (2573405)

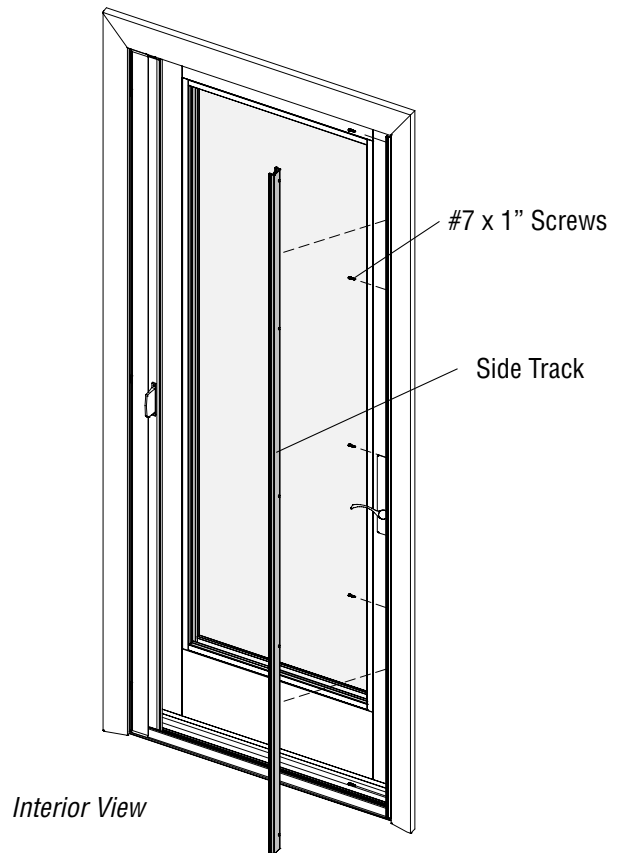
### 1. Remove Head Track

- Place *Pile Opener* in *Head Track* to locate #7x 1" Screws. Remove screws.
- Remove end of *Head Track* from *Side Track* and tab on *Canister End Cap*.



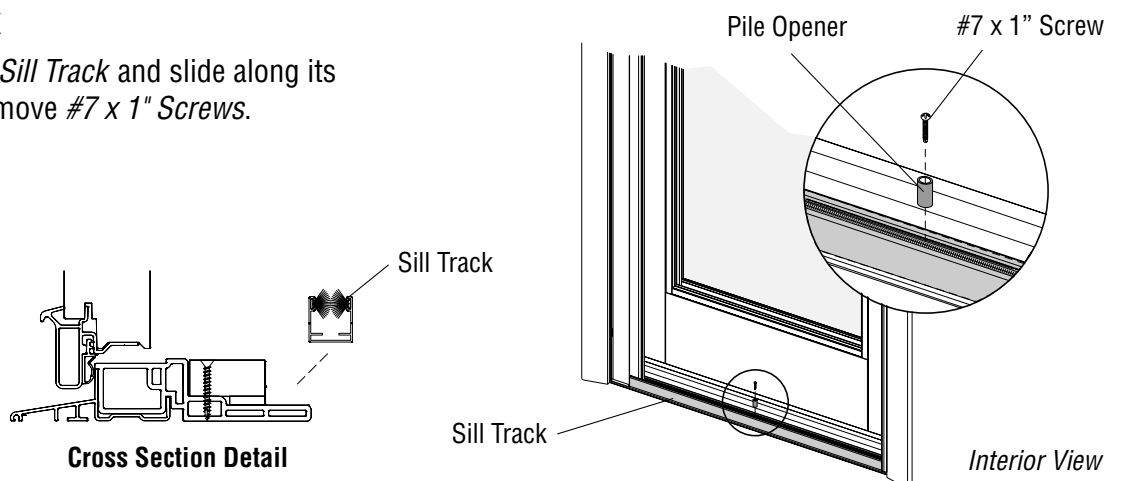
### 2. Remove Side Track

- Remove #7 x 1" Screws holding *Side Track* and #6 x 1" screw holding *Latch Strike* to remove *Side Track*.



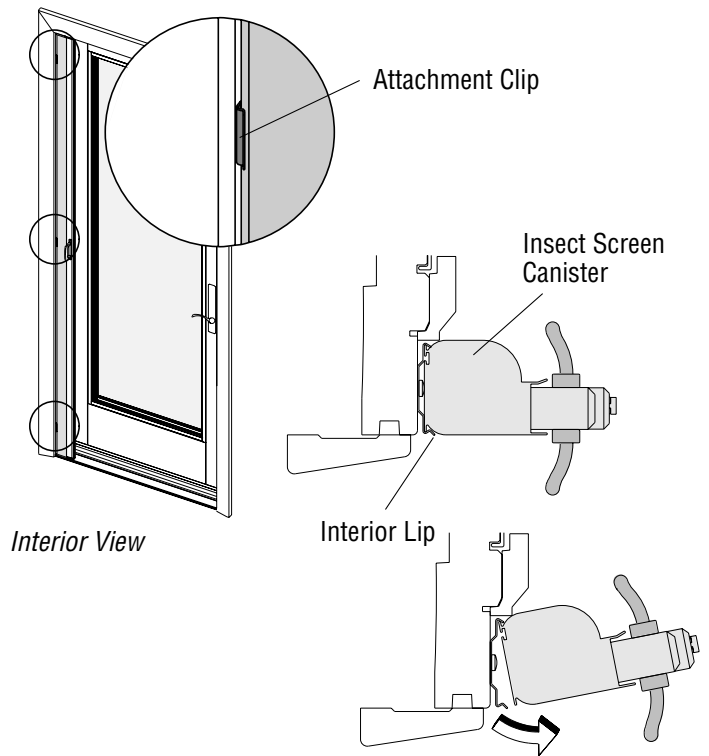
### 3. Remove Sill Track

- Place *Pile Opener* into *Sill Track* and slide along its length to locate and remove #7 x 1" Screws.
- Remove *Sill Track*.



**4. Remove Insect Screen Canister**

- Remove *Insect Screen Canister* by prying outwards on interior lip of *Attachment Clips*, being careful not to damage surface.



**5. Remove Spring Tension Assembly**

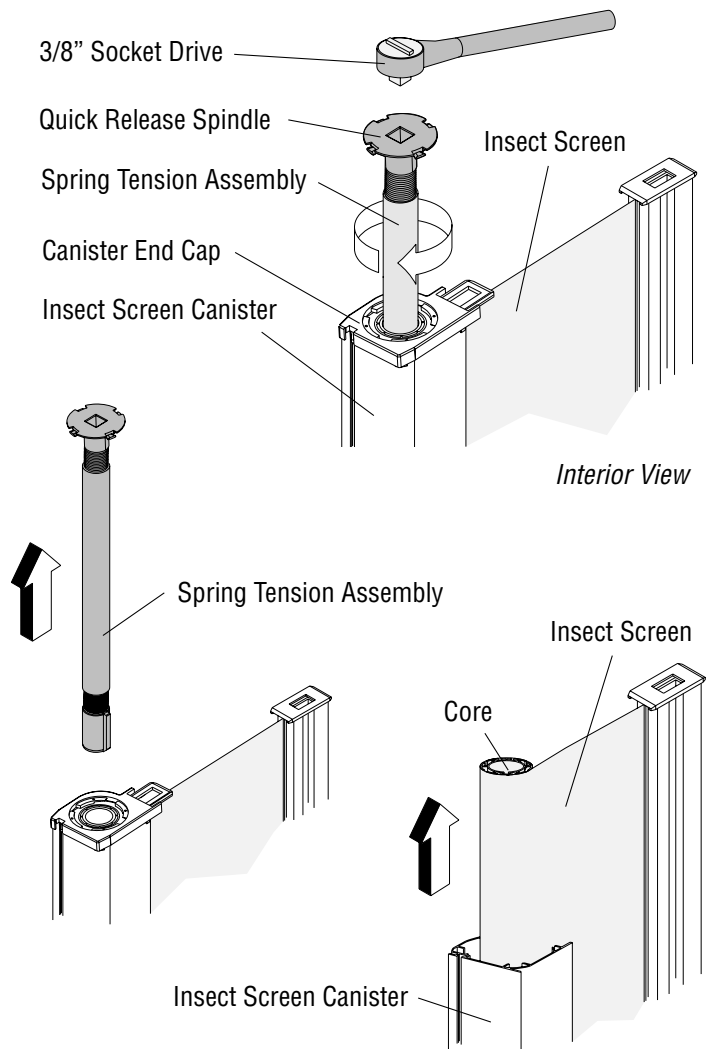
**NOTICE**

Orientation of Spring Tension Assembly will differ depending on the Insect Screen orientation.

**CAUTION**

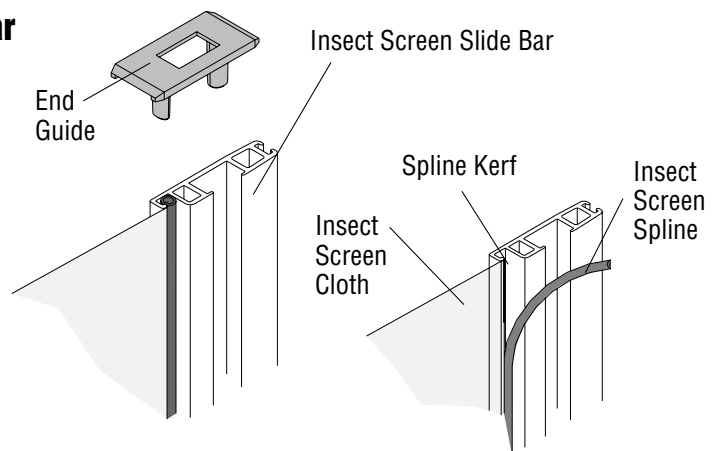
Spring is under tension. Use caution when removing Spring Tension Assembly.

- Position *Insect Screen Canister* as shown.
- Unlock *Spring Tension Assembly* from *End Cap* by turning *Quick Release Spindle* 1/4 turn clockwise using a 3/8" socket drive. Pull *Spring Tension Assembly* out far enough to clear *End Cap*.
- Unwind *Spring Tension Assembly* to release tension.
- Remove *Spring Tension Assembly*.
- Remove *Insect Screen/Core* from *Insect Screen Canister*.



## 6. Remove and Reapply Insect Screen Slide Bar

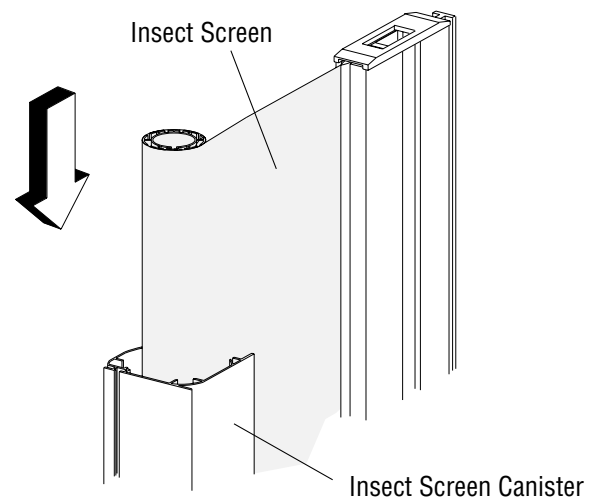
- Remove *End Guide*, *Exterior Handle*, *Spline* and *Insect Screen Cloth* from *Insect Screen Slide Bar*.
- Align and overlap *Insect Screen* 1/4" onto *Insect Screen Slide Bar*.
- Roll *Insect Screen Spline* over *Insect Screen* and into spline kerf.



Interior View

## 7. Apply New Insect Screen

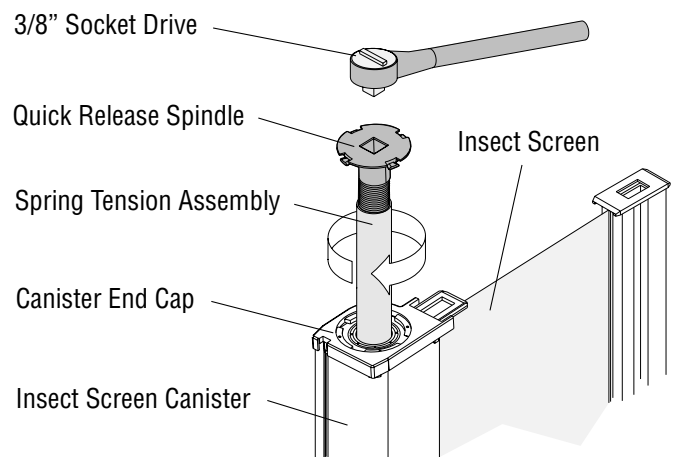
- Install new *Insect Screen/Core* into *Insect Screen Canister* in the same orientation as the old assembly.



Interior View

## 8. Insert Spring Tension Assembly

- Insert *Spring Tension Assembly* into *Insect Screen Canister*.
- Turn *Quick Release Spindle* clockwise fifteen times for double unit and ten times for a single unit.
- Secure *Spring Tension Assembly* to *End Cap* by turning *Quick Release Spindle* 1/4 turn counterclockwise.
- Check *Insect Screen* for proper operation. Pull *Insect Screen* out 2' to 4' and let it retract.
- If *Insect Screen* does not retract properly, remove *Quick Release Spindle*, turn two to four times, reinstall, and check operation again. Repeat as needed until *Insect Screen* retracts properly.



Interior View

## 9. Reattach Insect Screen Tracks and Insect Screen Canister.

- Install *Insect Screen Tracks* and *Insect Screen Canister* reversing **Steps 1-4**.