

What's in This Section

2-Panel, 3-Panel, and Sidelights	Page 3
Parts Illustration	3
Parts Illustration - 2-Panel	3
Parts Illustration - 3-Panel	4
Unit Sizes	5
Product History	6
Milestones	6
Panels - Operating	7
Panel Graphic - Operating / 2-Panel	7
Panel Graphic - Operating / 3-Panel	8
Size Table - Operating Panels	9
Bottom Rail Channel - Operating / Weatherstrip	9
Weatherstrip - Operating	9
Panel Parts - Operating	10
Panels - Stationary	11
Panel Graphic - Stationary / 2-Panel	11
Panel Graphic - Stationary / 3-Panel	12
Size Table - Stationary Panels	13
Panels - Stationary	13
Panel Parts - Stationary	13
Insect Screens	14
Insect Screen Graphic - 2-Panel	14
Insect Screen Graphic - 3-Panel	15
Gliding Insect Screen	16
Insect Screen Channels - Bottom Rail	16
Insect Screen Rescreening Kits	16
Insect Screen Hardware	17
Hardware	19
Handles	19
Lock Parts	20
Hardware Parts	21
Fasteners	22
Frames	24
Frame Graphic - Sidelight	24
Frame Graphic - 2-Panel	25
Frame Graphic - 3-Panel	26
Sills	27

Weatherstrip 27
Frame Accessories 27

Primed Gliding Doors (1964 to 1983)

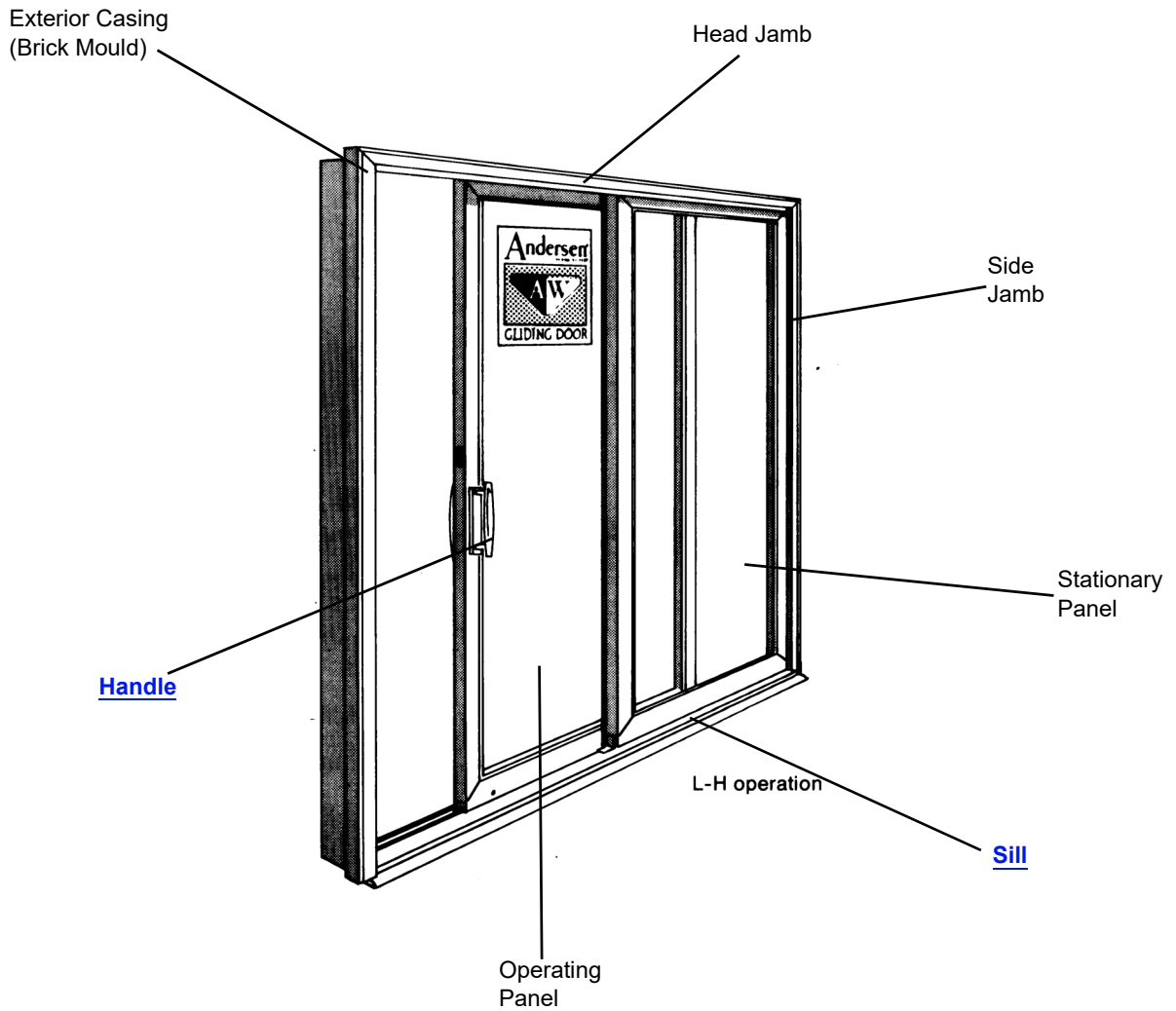
2-Panel, 3-Panel, and Sidelights

Parts Illustration

Parts Illustration - 2-Panel (1964 to 1983)

Note:

Primed doors have a primed, ready to paint surface on the exterior and natural wood on the interior.



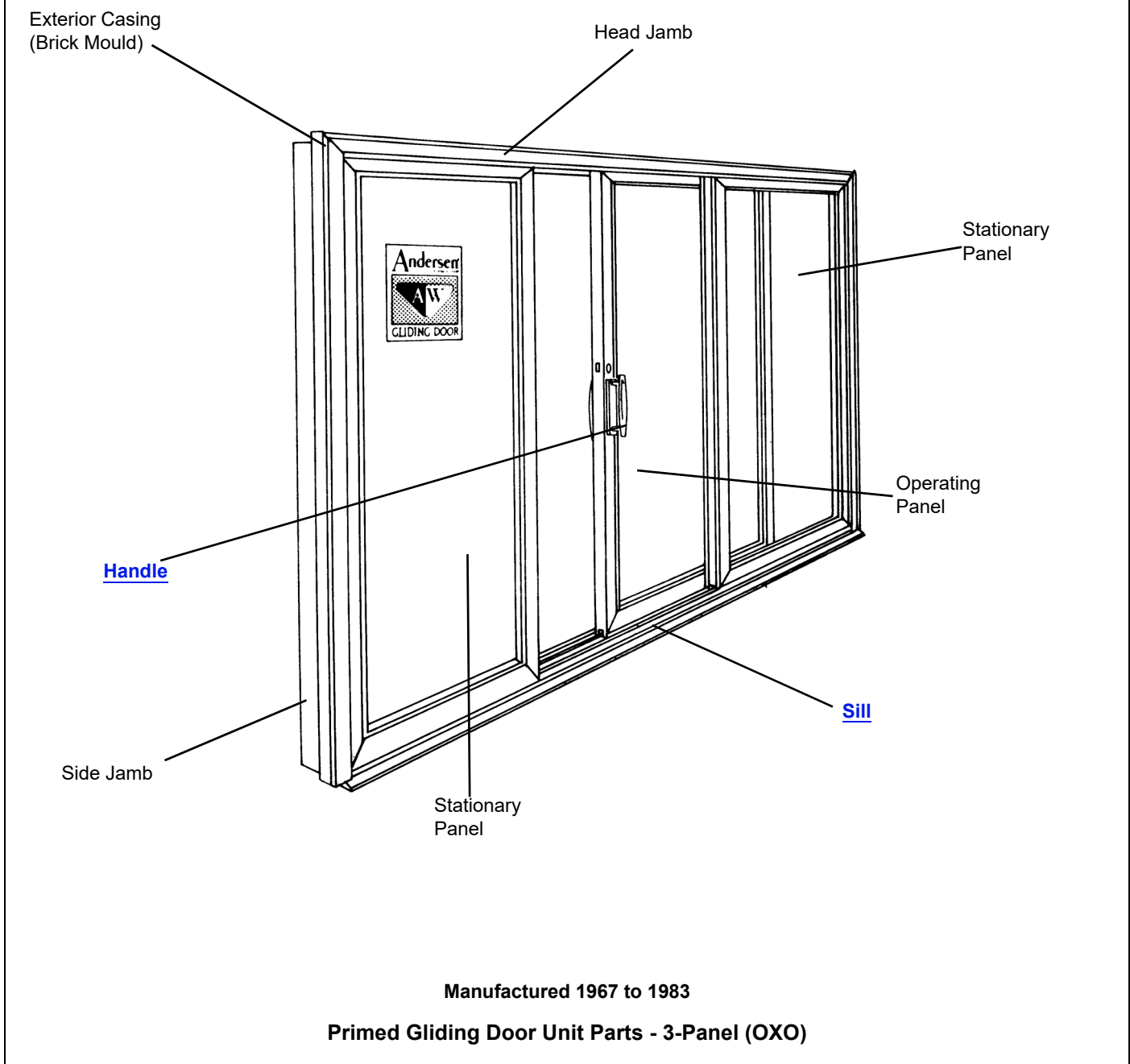
Manufactured 1964 to 1983
All Wood Construction

Primed Gliding Door Unit Parts - 2-Panel (XO)

Unit viewed from exterior.

Parts Illustration

Parts Illustration - 3-Panel (1967 to 1983)

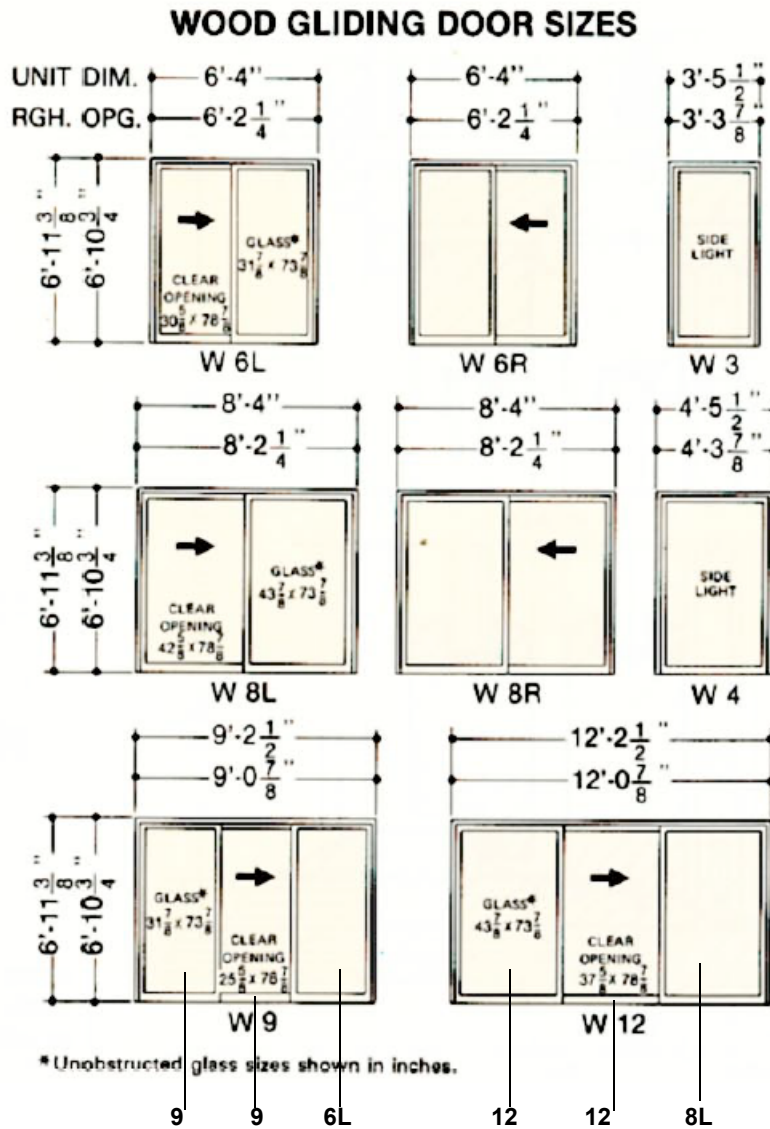


Unit Sizes

Unit Size Chart

Note:

Unit Dimension refers to overall outside-to-outside frame. Unobstructed Glass refers to visible glass dimensions (commonly referred to as "daylight opening").



3 - Panel Ordering Sizes

Primed Gliding Door Basic Unit Sizes

Unit viewed from exterior.

Product History

Milestones

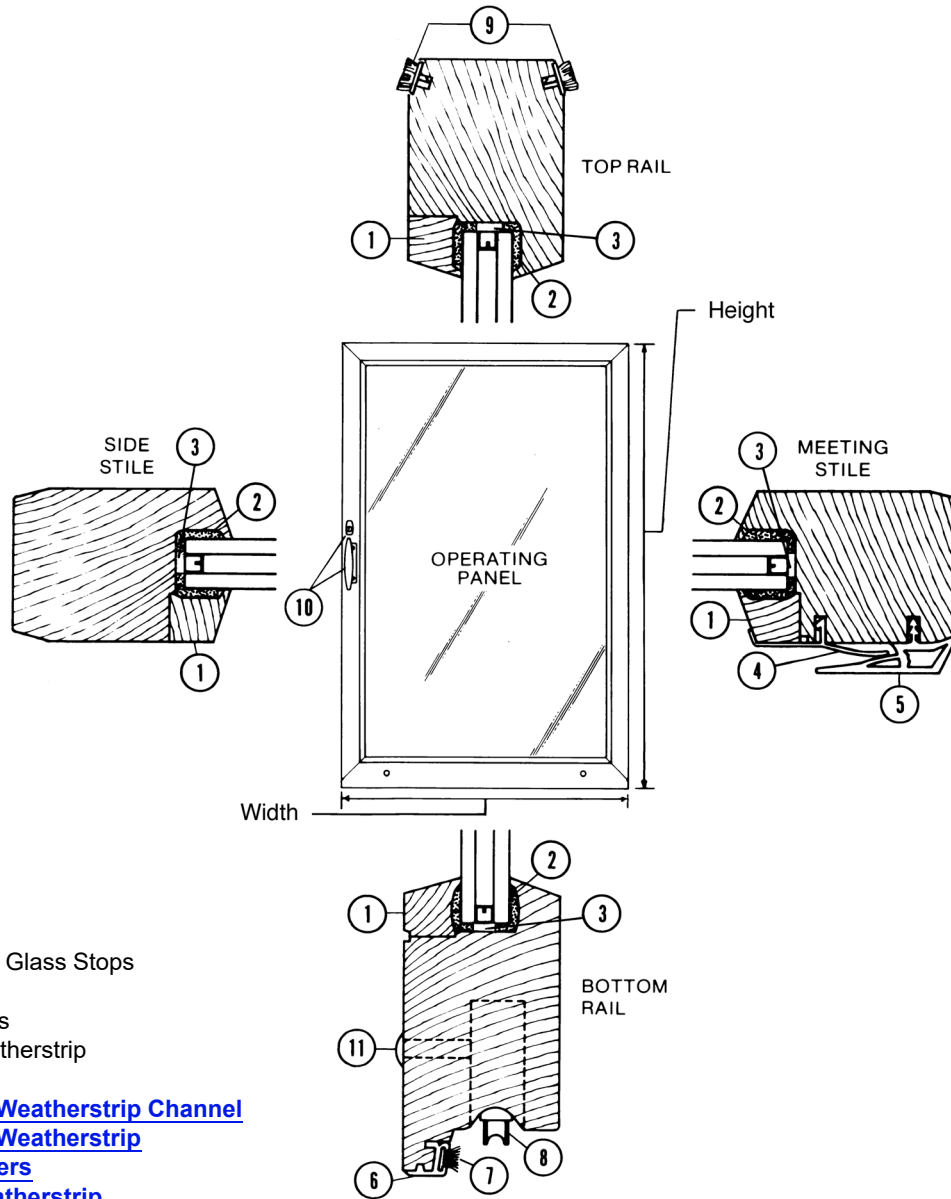
- 1983** Primed Gliding Door discontinued.
- 1968** New handle/lock system introduced with dead lock inside, night latch outside, keyed lock and handles.
- 1964** Primed Gliding Door introduced.

Primed Gliding Doors (1964 to 1983)

2-Panel, 3-Panel, and Sidelights

Panels - Operating

Panel Graphic - Operating / 2-Panel

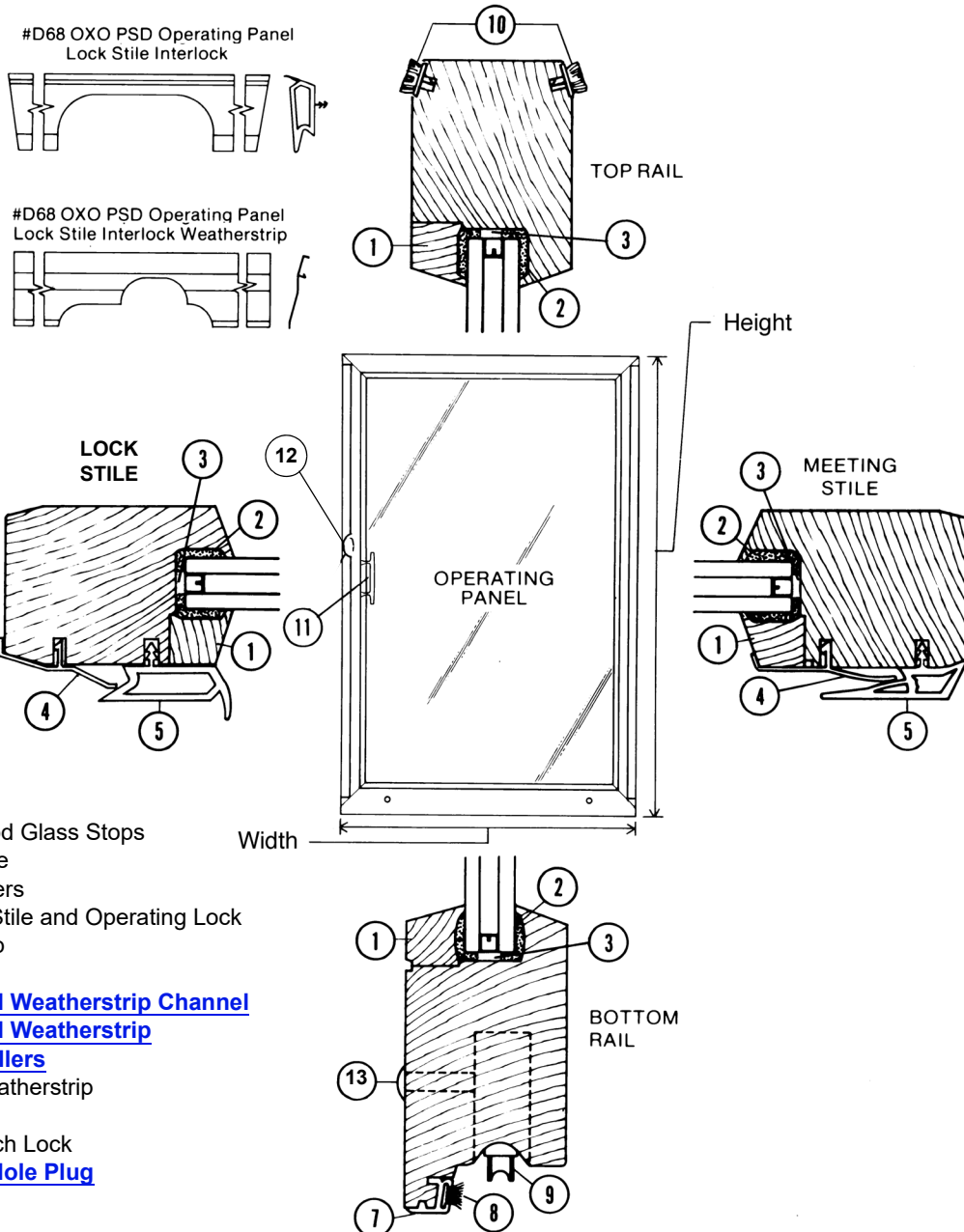


1. Primed Wood Glass Stops
2. Glazing Tape
3. Glass Spacers
4. Interlock Weatherstrip
5. Interlock
6. [Bottom Rail Weatherstrip Channel](#)
7. [Bottom Rail Weatherstrip](#)
8. [Tandem Rollers](#)
9. [Top Rail Weatherstrip](#)
10. [Exterior Handle](#)
11. [Adjusting Hole Plug](#)

Primed Gliding Door Operating Panel - 2-Panel

Panels - Operating

Panel Graphic - Operating / 3-Panel



Primed Gliding Door Operating Panel - 3-Panel

Primed Gliding Doors (1964 to 1983)

2-Panel, 3-Panel, and Sidelights

Panels - Operating

Size Table - Operating Panels

Note:

Stationary Panel is measured outside edge to outside edge of frame.

Unobstructed Glass is dimension from outside edge to outside edge of visible glass only.

Actual Glass is dimension of outside edge to outside edge of glass, including glass that is not visible.

Unit No.	Operating Panel (w x h)	Unobstructed Glass (w x h)	Actual Glass (w x h)
6	37 ¹ / ₈ × 80 ³ / ₃₂	31 ⁷ / ₈ × 73 ⁷ / ₈	33 × 74 ⁷ / ₈
8	49 ¹ / ₈ × 80 ³ / ₃₂	43 ⁷ / ₈ × 73 ⁷ / ₈	45 × 74 ⁷ / ₈
9	37 ¹ / ₈ × 80 ³ / ₃₂	31 ⁷ / ₈ × 73 ⁷ / ₈	33 × 74 ⁷ / ₈
12	49 ¹ / ₈ × 80 ³ / ₃₂	43 ⁷ / ₈ × 73 ⁷ / ₈	45 × 74 ⁷ / ₈

Bottom Rail Channel - Operating / Weatherstrip

Bottom Rail Channel - Operating / Weatherstrip Ref. No. 6 [page 7](#) and Ref. No. 7 [page 8](#)

	Unit No.	Order No.
	6	1275604
	8	1275606

Weatherstrip - Operating

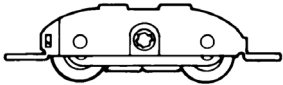


Weatherstrip - Operating / Bottom Rail Ref. No. 7 [page 7](#) and Ref. No. 8 [page 8](#)

	Unit No.	Order No.
	6/9	1275504
	8	1275506

Weatherstrip - Operating / Top Rail Ref. No. 9 [page 7](#) and Ref. No. 10 [page 8](#)

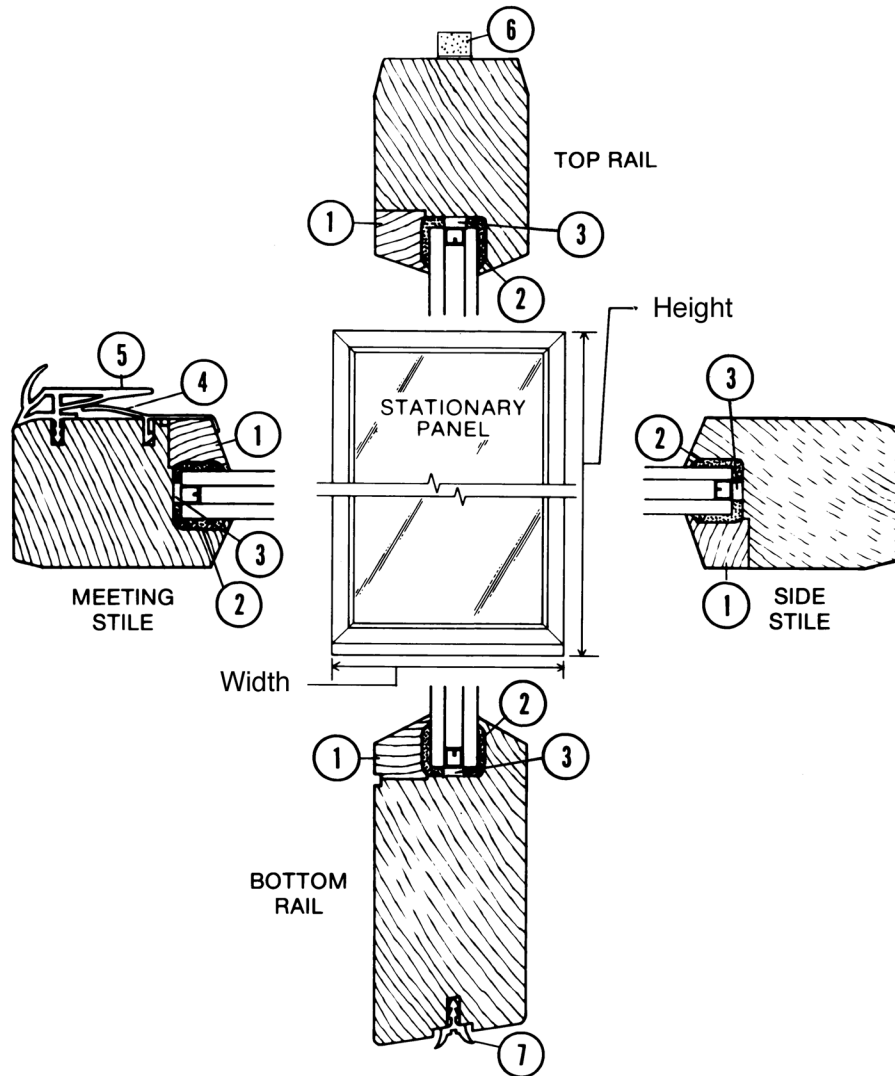
	Unit No.	Order No.
	6/9	1275704
	8/12	1275706

Panels - Operating

Panel Parts - Operating		
Tandem Roller with Screws - Operating Ref. No. 8 page 7 and Ref. No. 9 page 8		
		Order No.
		N/A
Tandem Rollers - Operating		
	Note: Replaces previous vintages.	Order No.
		1997061
Hole Plug Adjuster - Operating Ref. No. 11 page 7 and Ref. No. 13 page 8		
		Order No.
		1273304

Panels - Stationary

Panel Graphic - Stationary / 2-Panel



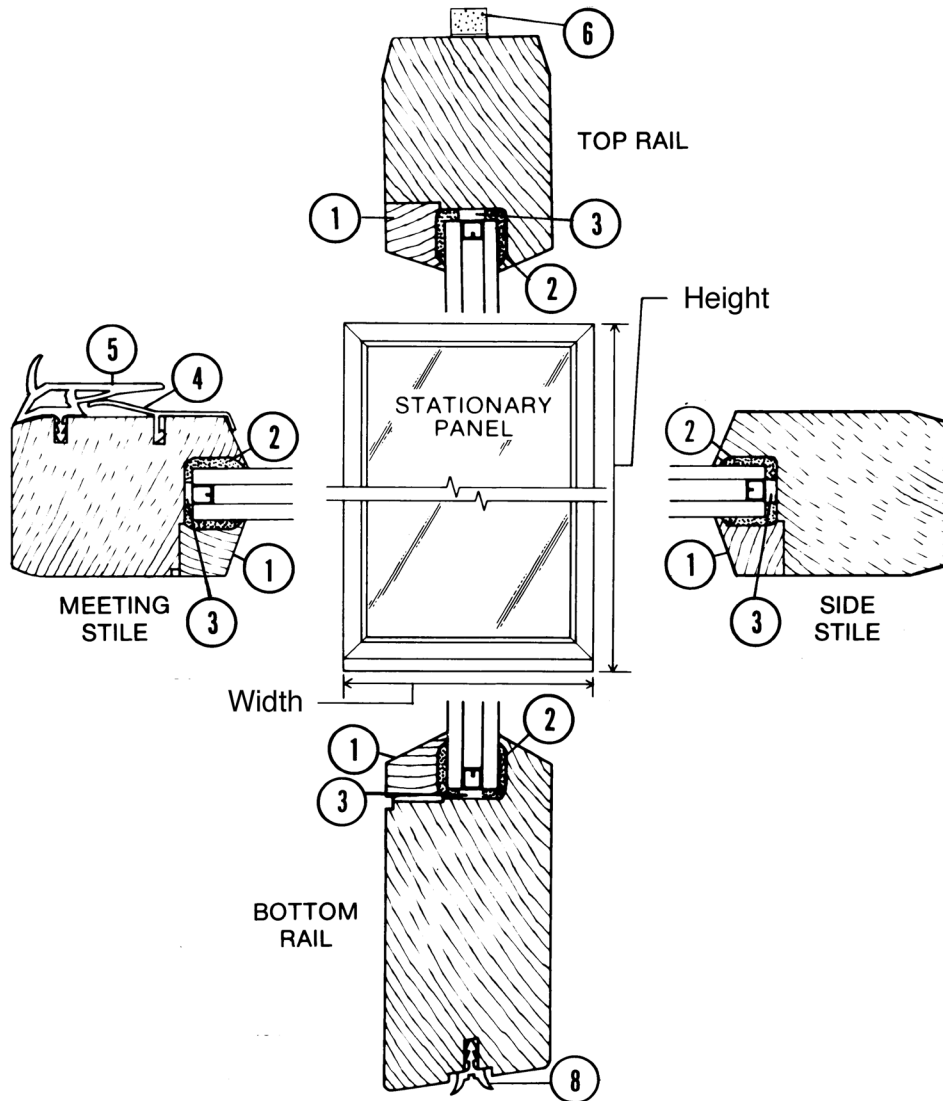
1. Primed Wood Glass Stops
2. Glazing Tape
3. Glass Spacers
4. Interlock Weatherstrip
5. Interlock
6. [Foam Weatherstrip](#)
7. [Seal Trim Gasket](#)

Primed Gliding Door Stationary Panel - 2-Panel

Unit viewed from exterior.

Panels - Stationary

Panel Graphic - Stationary / 3-Panel



- 1. Glass Stops
- 2. Glazing Tape
- 3. Glass Spacer
- 4. Interlock Weatherstrip
- 5. Interlock
- 6. [Foam Weatherstrip](#)
- 7. [Seal Trim Gasket](#)

Primed Gliding Door Stationary Panel - 3-Panel

Unit viewed from exterior.

Primed Gliding Doors (1964 to 1983)

2-Panel, 3-Panel, and Sidelights

Panels - Stationary

Size Table - Stationary Panels

Note:

Stationary Panel is measured outside edge to outside edge of frame.

Unobstructed Glass is dimension from outside edge to outside edge of visible glass only.

Actual Glass is dimension of outside edge to outside edge of glass, including glass that is not visible.

Unit No.	Stationary Panel (w x h)	Unobstructed Glass (w x h)	Actual Glass (w x h)
3	37 ¹ / ₈ × 80 ⁵ / ₈	31 ⁷ / ₈ × 73 ⁷ / ₈	33 × 74 ⁷ / ₈
4	49 ¹ / ₈ × 80 ⁵ / ₈	43 ⁷ / ₈ × 73 ⁷ / ₈	45 × 74 ⁷ / ₈
6	37 ¹ / ₈ × 80 ⁵ / ₈	31 ⁷ / ₈ × 73 ⁷ / ₈	33 × 74 ⁷ / ₈
8	49 ¹ / ₈ × 80 ⁵ / ₈	43 ⁷ / ₈ × 73 ⁷ / ₈	45 × 74 ⁷ / ₈
9	37 ¹ / ₈ × 80 ⁵ / ₈	31 ⁷ / ₈ × 73 ⁷ / ₈	33 × 74 ⁷ / ₈
12	49 ¹ / ₈ × 80 ⁵ / ₈	43 ⁷ / ₈ × 73 ⁷ / ₈	45 × 74 ⁷ / ₈

Panels - Stationary

Panel - Stationary / Dual Pane Tempered (1981)

		Unit No.	Left	Right
		3 SD LT	N/A	
4 SD LT	N/A			
6	N/A	N/A		
8	N/A	N/A		
9	N/A			
12	N/A			

Panel Parts - Stationary

Weatherstrip - Stationary / Foam Ref. No. 6 [page 11](#) and [page 12](#)

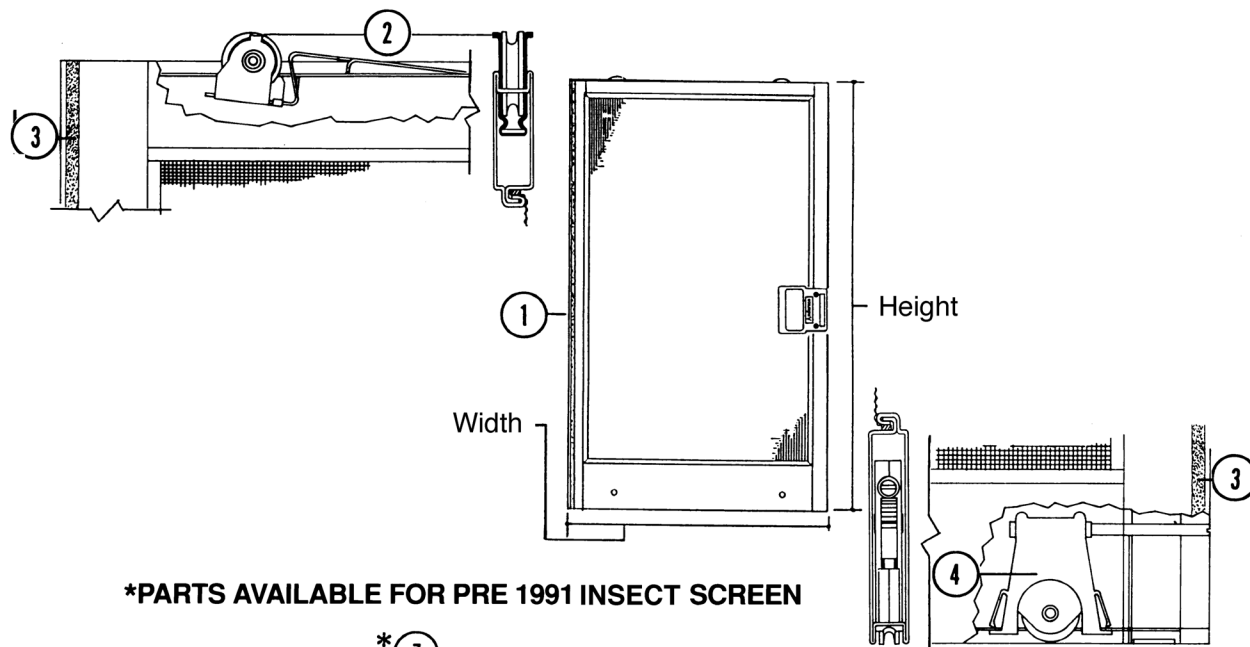
	Description	White
	5/16" x 5/16" x 50" roll	2962024

Gasket - Stationary / Seal Trim Ref. No. 7 [page 11](#) and [page 12](#)

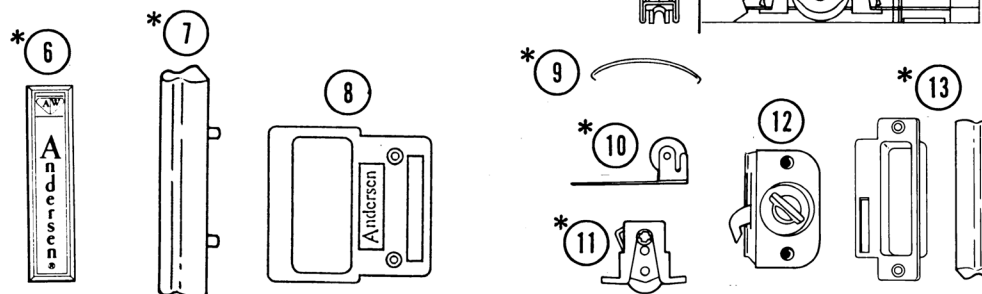
	Note:	Order No.
	Order by the foot.	2962044

Insect Screens

Insect Screen Graphic - 2-Panel



***PARTS AVAILABLE FOR PRE 1991 INSECT SCREEN**



Current Replacement Parts

Original Insect Screen Hardware

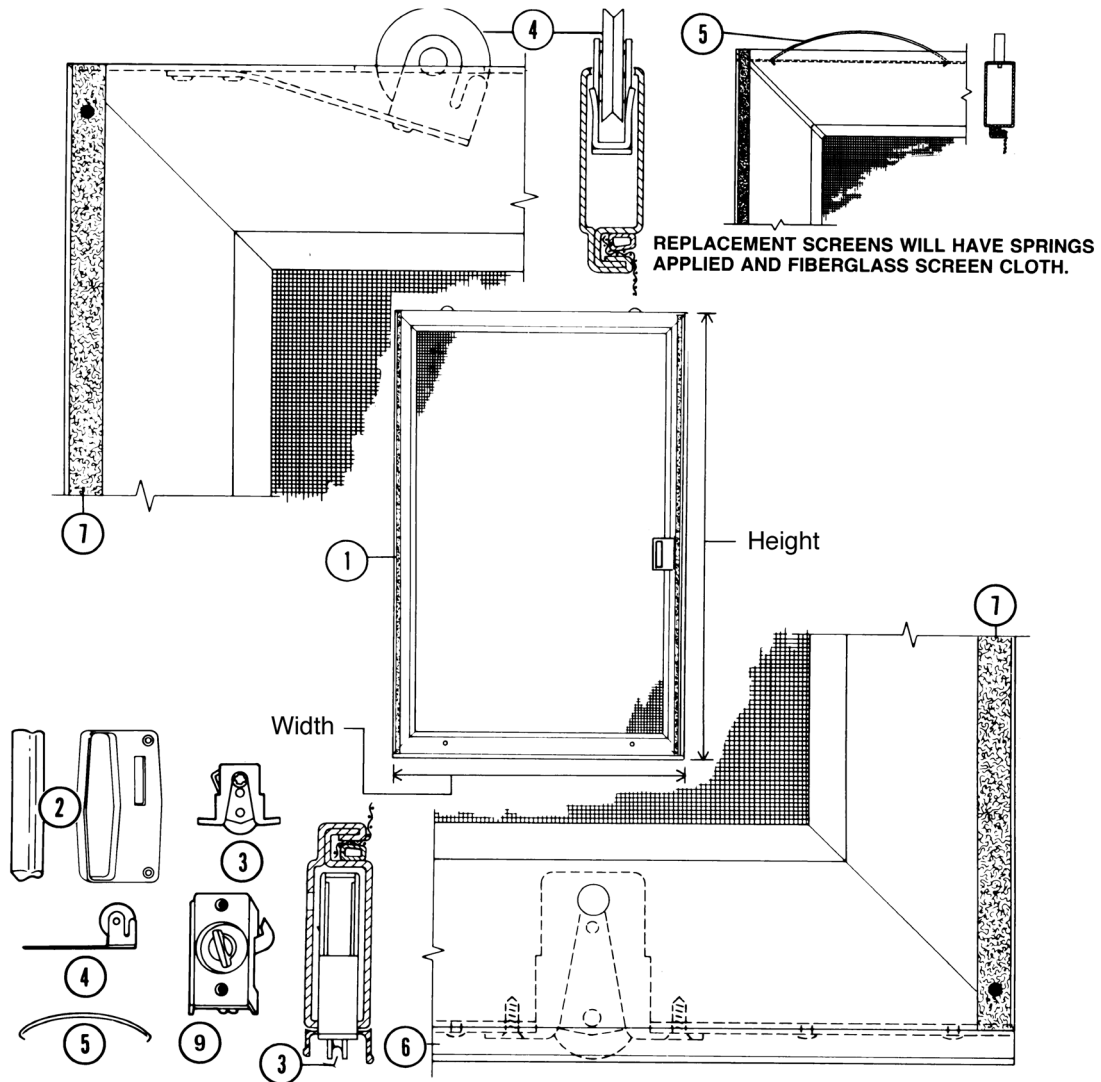
- | | |
|---------------------------------|--------------------------------------|
| 1. Insect Screen | 8. Inside Handle |
| 2. Top Roller | 9. Top Rail Spring - Before 1991 |
| 3. Bug Seal Pile Weatherstrip | 10. Top Roller - Before 1991 |
| 4. Bottom Rail Roller | 11. Bottom Rail Roller - Before 1991 |
| 6. Logo Plate | 12. Insect Screen Door Latch |
| 7. Outside Handle - Before 1991 | 13. Handles - Before 1991 |

Primed Gliding Door Insect Screen - 2-Panel

Unit viewed from interior.

Insect Screens

Insect Screen Graphic - 3-Panel



- 1. Insect Screen
- 2. Handles, 3 Panel
- 3. Bottom Roller
- 4. Top Roller
- 5. Top Rail Spring
- 6. Bottom Insect Screen Channel
- 7. Bug Seal Pile Weatherstrip
- 9. Insect Screen Door Latch, 3 Panel

Primed Gliding Door Insect Screen - 3-Panel

Unit viewed from interior.

Insect Screens

Gliding Insect Screen

Insect Screen - Gliding

	Unit No.	Dimensions	Left	Right
	6	36 ⁷ / ₈ × 80 ¹ / ₂	1208130	1208134
	8	48 ⁷ / ₈ × 80 ¹ / ₂	1208138	1208142
	9	36 ¹ / ₁₆ × 80 ¹ / ₂	1208145	
	12	48 ¹ / ₁₆ × 80 ¹ / ₂	1208152	

Insect Screen Channels - Bottom Rail

Insect Screen Channel - Bottom Rail Ref. No. 6 [page 15](#)

	Unit No.	Dimensions	Order No.
	3	36 ⁷ / ₈	1276004
	4	48 ⁷ / ₈	1276006
	9	36 ⁷ / ₈	1276008
	12	48 ⁷ / ₈	1276010

Insect Screen Rescreening Kits

Insect Screen Rescreening Kit

	Kit Includes: Polyethylene splines Fiberglass insect screen cloth (1) Wood spacer bar (1) Spline roller	Order No. 1274712

Primed Gliding Doors (1964 to 1983)

2-Panel, 3-Panel, and Sidelights


Insect Screens

Insect Screen Hardware

Note:

Identify the vintage (date of manufacture) of the insect screen and the correct parts for that vintage prior to ordering. Since 1991, Primed Gliding Door insect screens have used Perma-Shield® Gliding Doors (1982 to Present) parts. See that section for additional replacement parts.

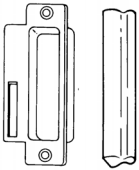
Handle - Insect Screen / Inside / 2-Panel

		Stone
		1997163

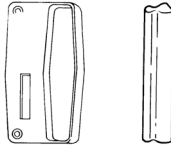
Weatherstrip - Insect Screen / Bug Seal Pile Ref. No. 3 [page 14](#) and Ref. No. 7 [page 15](#)

	<p>Note: Weatherstrip has an adhesive back. Order by the foot.</p>	2962038
--	---	---------


Handle Package - Insect Screen / 2-Panel

		Order No.
		1274406


Handle Package - Insect Screen / 3-Panel

		Order No.
		1274408


Spring - Upper / Gliding Insect Screen (1983 to 1991)

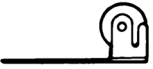
	<p>Note: Need two (2) per insect screen.</p>	Order No.
		1997196

Roller - Insect Screen / Lower Ref. No. 4 and 11 [page 14](#) and Ref. No. 3 [page 15](#)

	<p>Note: Need two (2) per insect screen.</p>	Order No.
		1274104

Insect Screens

Screw - Lower Roller/ Gliding Insect Screen		
	Note: Need two (2) per roller.	Order No.
		3620400




Roller - Insect Screen / Upper Ref. No. 2 and 10 page 14 and Ref. No. 4 page 15			
	Note: Held in place with rivets. Rivets are not included. Need two (2) per insect screen. Items in red have been discontinued.	Order No.	Replacement
		1274004	N/A

Pop Rivet - Screen Roller / Insect Screen / Upper		
	Description	Order No.
	Note: Need two (2) per roller. 1/8" dia x 7/32"	2579482


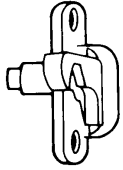
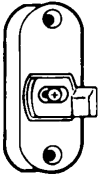
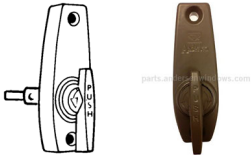
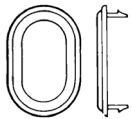
Primed Gliding Doors (1964 to 1983)

2-Panel, 3-Panel, and Sidelights

Hardware

Handles			
Handle - Outside / 2-Panel			
		Stone	
		1997202	
Handle - Outside / 3-Panel			
		Stone	
		1278010	
Handle - Inside / 2- and 3-Panel			
		Stone	
		1997201	
Bolt - Handle			
		Finish	Order No.
		Stone	1275210
		Silver Satin	N/A
		Rose Gold	N/A

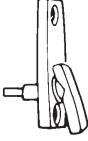
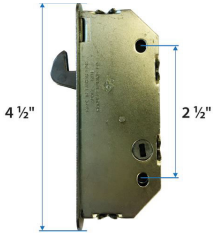
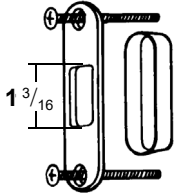
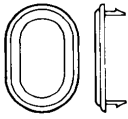
Hardware

Lock Parts			
Exterior Lock with Keys - 6-Pin / 3-Panel			
		Color	Order No.
		Stone	N/A
		White	1973052
Latch Mechanism - 3-Panel			
		Finish	Order No.
		Stone	1997162
		White	N/A
Lock Housing and Bolt Assembly - 3-Panel			
		Finish	Order No.
		Stone	1997221
		White	N/A
Inside Latch - 3-Panel			
		Finish	Order No.
		Stone	1997161
		White	N/A
O Ring - Lock Escutcheon / 3-Panel			
		Finish	Order No.
		Stone	8323303
		White	8312302

Primed Gliding Doors (1964 to 1983)

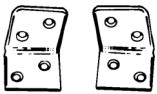
2-Panel, 3-Panel, and Sidelights

Hardware


Inside Latch - 2-Panel		Stone	
		1278303	
Deadlock (1978 to 1982)		Order No.	
		1997156	
Strike with Liner - Lock / 2-Panel (1978 to 1982)		Order No.	
		1997155	
O Ring - Lock Escutcheon / 3-Panel		Stone	
		8332401	
Lock Face Plate		Order No.	
		1273904	

Hardware Parts

Bracket - Stationary / Bottom

	Stone		Silver Satin	
	Left	Right	Left	Right
	N/A	N/A	N/A	N/A

Bracket - Stationary / Upper

	Stone	Silver Satin
	2573551	N/A

Hardware

Fasteners		
Note:		
When ordering fasteners with nine digit 888 numbers (beginning with 888 or 889), use following details and order by description offering details below:		
Product Line (example: Primed Gliding Door), Complete Size (example: 2 1/2" x #10 F.H.), Description and color (example: Steel Clear Chromate), What it is used for? (example: Frame Assembly), Reference the 888 number: 888332501		
Screw - Frame Assembly		
	Description	Clear Chromate
	2 1/2" x #10 F.H., Steel	888332501
Screw - Stationary / Bottom Rail Filler		
	Description	Aluminum
	2 1/4" x #8 F.H., Aluminum	888332502
Screw - Operating / Bottom Rail Filler		
	Description	Brass
	1 3/8" x #8 F.H., Steel	888332509
Screw - Stationary / Replacement Lock Strike		
	Description	Aluminum
	2 1/4" x #8 F.H., Aluminum	888332502
Screw - Inside Head Stop		
	Description	White
	1 1/2" x #8 F.H., Steel	888332503
Screw - Bumper		
	Description	White
	1 1/2" x #8 F.H., Steel	888332503
Screw - Interlock / Security		
	Description	White
	1 1/2" x #8 F.H., Steel	888332503
Screw - Head Bracket		
	Description	Stone
	1" x #8 F.H., Steel	888332504
Screw - Sill Bracket to Panel		
	Description	Stone
	1" x #8 F.H., Steel	888332504
Screw - Sill Bracket to Sill		
	Description	Stone
	3/4" x #8 F.H., Steel	888332505
Screw - Tandem Rollers		
	Description	Brass
	1 3/8" x #8 F.H., Steel	888332509
Screw - Handle (Pair)		
	Description	Stone
	2 3/32" x #10-32 Mach. O.H., Steel	1275210
	Note: Order No. 1275210 replaces 2573646.	

Primed Gliding Doors (1964 to 1983)

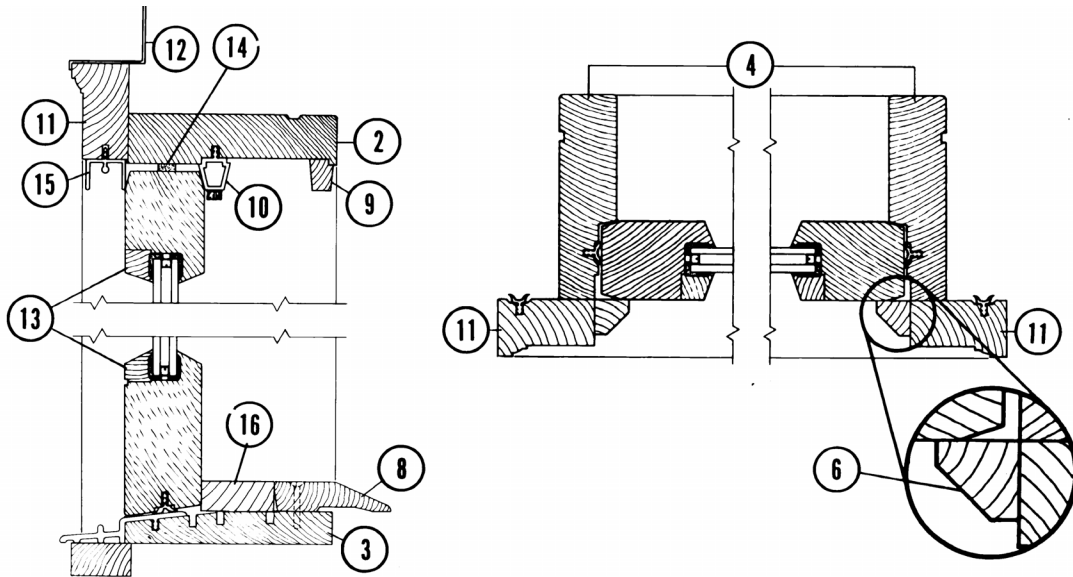
2-Panel, 3-Panel, and Sidelights

Hardware

Screw - Handle / Old Style		
	Description	Clear Chromate
	1/2" x #8-32 Mach. F.H., Steel	888332512
Screw - Insect Screen / Handle		
	Description	White
	1" x #10-20-Mach. F.H., Steel	888332507
Screw - Insect Screen / Latch		
	Description	Stone
	1 1/4" x #8 O.H., Steel	888332510
Screw - Insect Screen / Bottom Channel		
	Description	Aluminum
	1/8" dia. x 5/16" lng. pop rivet, Domed Head, Aluminum	888332511
Rivet - Insect Screen / Bug Seal		
	Description	Aluminum
	1/8" dia. x 5/16" lng. pop rivet, Domed Head, Aluminum	888332511
Screw - Lock Strike		
	Description	Cadium Chromate
	13/16" x #8-32-Mach. F.H., Steel	888332506
Screw - Lock Adjuster / 3-Panel		
	Description	Stone
	5/16" x #8-32 Mach. F.H., Steel	888332518
Screw with Holding Washer - Lock		
	Description	Brass
	5/16" x #8-32 Mach. O.H., Steel, cylinder to housing	888332514
Screw - Lock / 3-Panel		
	Description	Stone
	1 1/4" x #7 P.H. O.H., Steel	888332515
Screw - Inside Turn Latch / 3-Panel		
	Description	Stone
	5/8" x #8 P.H. O.H., Steel	N/A
Screw - Sill Bumper / 3-Panel		
	Description	White
	1" x #8 P.H. F.H., Steel	888332517

Frames

Frame Graphic - Sidelight



- | | |
|----------------------------------|------------------------------|
| 2. Head Jamb | 11. Head Exterior Casing |
| 3. Sill | 12. Head Flashing |
| 4. Side Jambs | 13. Glazing Stops |
| 6. Side Stops | 14. Foam Weatherstrip |
| 8. Oak Threshold | 15. Head Insect Screen Guide |
| 9. Head Inside Stop | 16. Filler |
| 10. Head Parting Stop | |

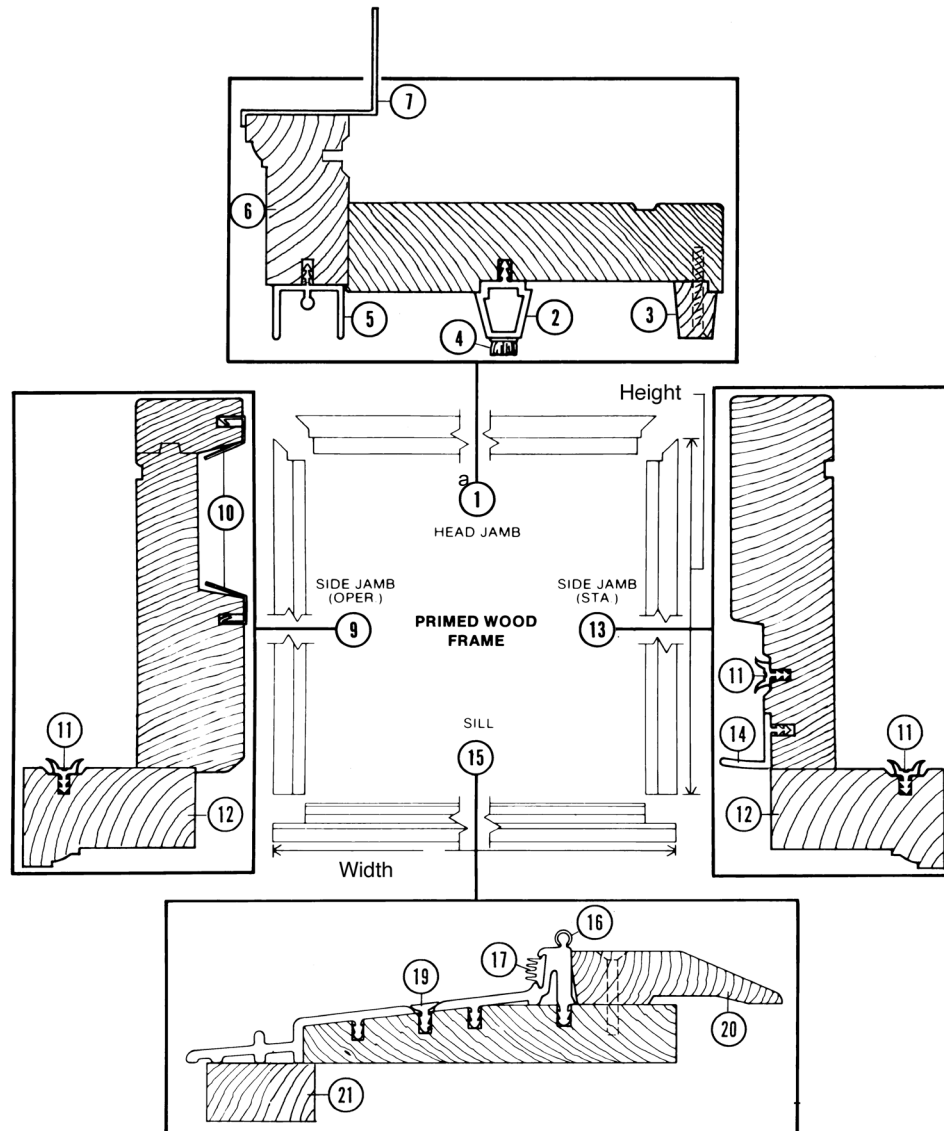
Primed Gliding Door Frame Assembly - Sidelight

Primed Gliding Doors (1964 to 1983)

2-Panel, 3-Panel, and Sidelights

Frames

Frame Graphic - 2-Panel

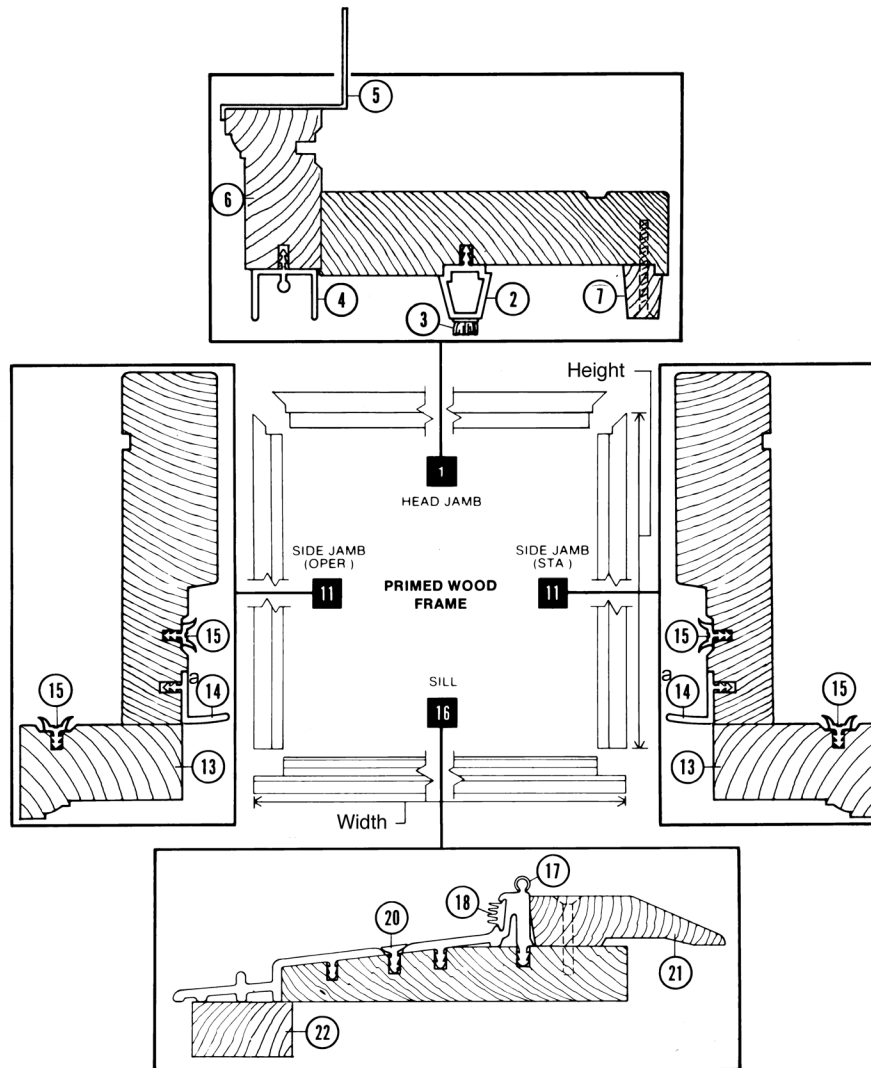


- | | | |
|------------------------------|-----------------------------------|--------------------------|
| 1. Head Jamb | 9. Operating Side Jamb | 16. Sill Cap |
| 2. Head Parting Stop | 10. Lock Jamb Weatherstrip | 17. Sill Seal |
| 3. Inside Head Stops | 11. Seal Trim Gasket | 19. Sill Thermal Barrier |
| 4. 2" Pile Weatherstrip | 12. Side Jamb Exterior Casing | 20. Oak Threshold |
| 5. Head Insect Screen Guide | 13. Stationary Side Jamb | 21. Sill Support |
| 6. Head Jamb Exterior Casing | 14. Blind Stop | |
| 7. Head Flashing | 15. Complete Sill | |

Primed Gliding Door Frame Assembly - 2 Panel

Frames

Frame Graphic - 3-Panel



- | | |
|-------------------------------|-----------------------------------|
| 1. Head Jamb | 14. Blind Stops |
| 2. Head Parting Stop | 15. Seal Trim Gasket |
| 3. 2" Pile Weatherstrip | 16. Complete Sill |
| 4. Head Insect Screen Guide | 17. Sill Cap |
| 5. Head Flashing | 18. Sill Seal |
| 6. Head Exterior Casing | 20. Sill Thermal Barrier |
| 7. Head Inside Stop | 21. Oak Threshold |
| 11. Side Jamba | 22. Sill Support |
| 13. Side Jamb Exterior Casing | |

Primed Gliding Door Frame Assembly - 3 Panel

Primed Gliding Doors (1964 to 1983)

2-Panel, 3-Panel, and Sidelights

Frames

Sills

Track Cap - Sill / Stainless Ref. No. 16 [page 25](#)

	Unit No.	Order No.
	3	N/A
	4	N/A
	6	1997021
	8	1997022
	9	1997023
	12	1997024

Weatherstrip

Weatherstrip - Lock Jamb / Inside / 2-Panel Ref. No. 10 [page 25](#)

	Order No.
	1276504

Weatherstrip - Gasket / Seal Trim

	Order No.
	2962044

Frame Accessories

Oak Threshold Ref. No. 8 [page 24](#), Ref. No. 20 [page 25](#), Ref. No. 21 [page 26](#)

	Unit No.	Order No.
	6	1207030
	8	1207040
	9	1207045
	12	1207050

Frames
