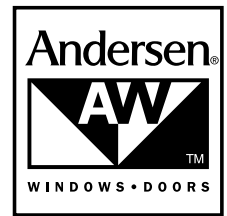


Narrow Joining (Horizontal)

for Andersen® Circle Top™/Architectural Transom
to Casement/Awning Windows



INSTALLER: Please leave this guide with the building owner to file for future reference.

Congratulations! You have just purchased one of the many fine Andersen® products. Proper assembly, installation and maintenance are essential if the benefits of your Andersen product are to be fully attained. Therefore, please read and follow this instruction guide completely. If your abilities do not match this procedure's requirements, contact an experienced contractor. You may direct any questions about this or other products to your local Andersen dealer, found in the Yellow Pages under "Windows" or call Andersen WindowCare® service center at 1-888-888-7020 Monday through Friday, 7 a.m. to 7 p.m. Central Time and Saturday, 8 a.m. to 4 p.m. Central Time. Thank you for choosing Andersen.

Important Safety, Assembly, and Installation Information

Every assembly and installation is different (windloads, structural support, etc.). Andersen strongly recommends consultation with an Andersen supplier or an experienced contractor, architect, or structural engineer prior to the assembly and installation of any Andersen product. For installation methods not covered in this guide, (i.e. through jamb) please visit the Architect Detail File on the web (www.andersenwindows.com). Andersen has no responsibility in regard to the post-manufactured assembly and installation of Andersen products.

⚠ WARNING

Using ladders and/or scaffolding and working at elevated levels may be hazardous. Follow equipment manufacturer's instructions for safe operation. Use extreme caution when working around window and door openings. Falling from opening may result in personal injury or death.

⚠ WARNING

Improper use of hand/power tools could result in personal injury and/or product damage. Follow manufacturer's instructions for safe operation of equipment. Always wear safety glasses.

⚠ WARNING

Weight of window/door unit(s) and accessories will vary. Use a reasonable number of people with sufficient strength to lift, carry, and install window and door unit(s) and accessories. Always use appropriate lifting techniques.

⚠ WARNING

Unless specifically ordered, Andersen windows and doors are not equipped with safety glass, and if broken, could fragment causing injury. Many laws and building codes require safety glass in locations adjacent to or near doors. Andersen windows are available with safety glass that may reduce the likelihood of injury when broken. Information on safety glass is available from your local Andersen dealer.

⚠ CAUTION

- Andersen® Head Flashing and Installation Flanges **DO NOT** take the place of standard window and door flashing. Unit must be properly flashed and sealed with silicone for protection against water and air infiltration. Use non-reflective flashings. Highly reflective flashing tapes can raise the surface temperature of the vinyl to the point where vinyl deformation and product damage may occur.
- Do not apply any type of film to glass. Thermal stress conditions resulting in glass damage could occur.
- Use of movable insulating materials such as window coverings, shutters, and other shading devices may damage glass and/or vinyl. In addition, excessive condensation may result causing deterioration of windows and doors.

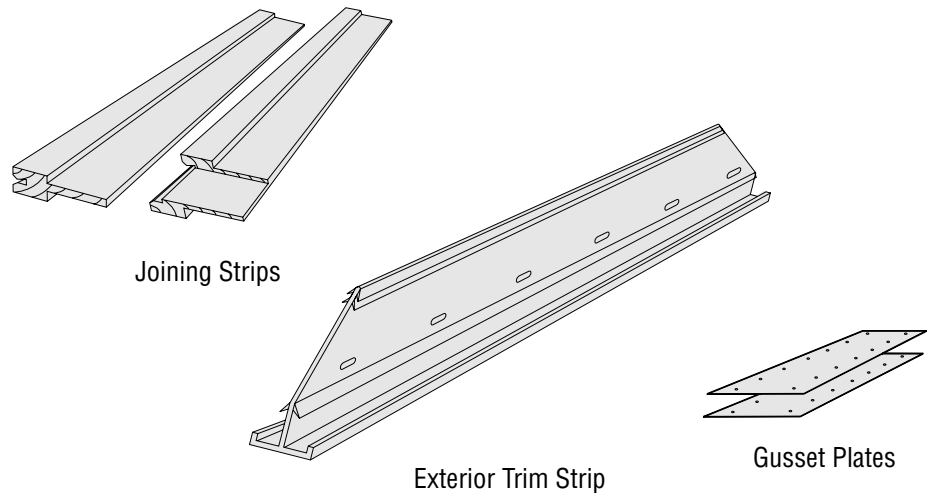
Parts Included

- (2) Joining Strips
- (1) Exterior Trim Strip
- (2) Gusset Plates

Tools and Supplies

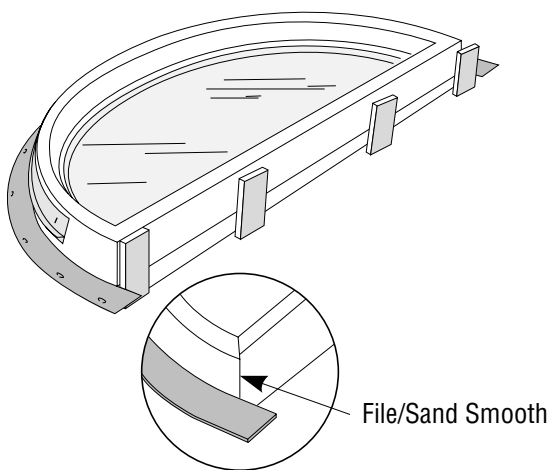
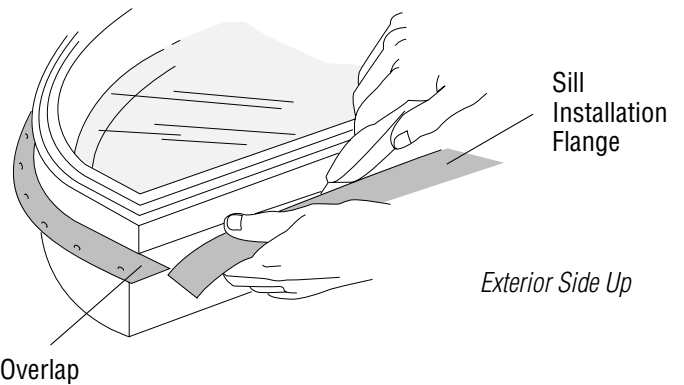
- Safety Glasses
- Hammer
- Utility Knife
- Clamps
- Phillips Head Screwdriver
- Wood Block
- 1" Nails or Fasteners
- 5/8" Nails or Fasteners
- 1-1/4" Finishing Nails
- Wood File

Component Identification

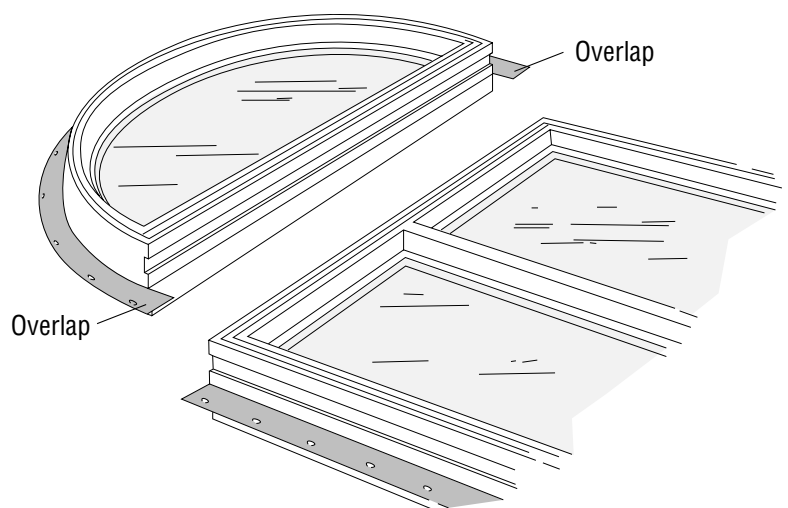


1. Remove Head and Sill Flange

- Position units exterior side up on a clean, flat work surface. Remove protection blocks.
- Remove *Installation Flanges* **ONLY** on sill and head jamb to be joined by pulling off or using a sharp utility knife. Leave an overlap on bottom corners as shown.
- For **Andersen Architectural Circle Top™/Transom**, file/sand overlap at corners.
- Carefully turn units over interior side up.



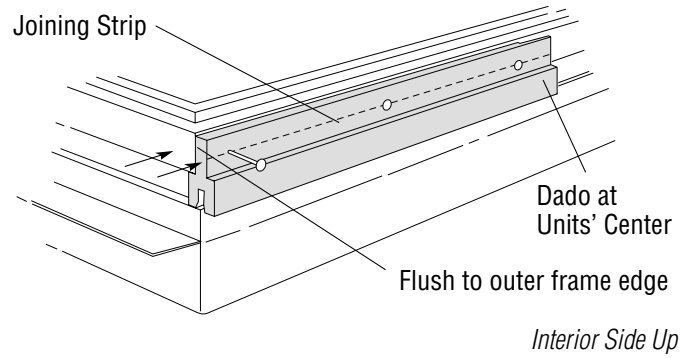
Andersen Architectural Circle Top™/Transom



Andersen Circle Top™ to Casement

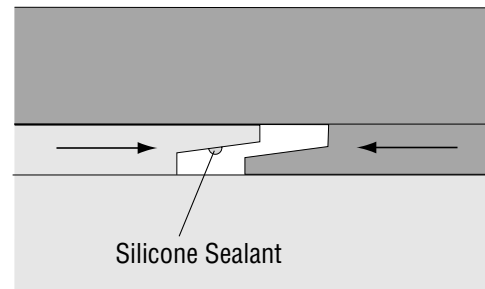
2. Apply Joining Strip

- Position one *Joining Strip* to head jamb of casement unit, shown, and one to sill of Circle Top™/Architectural Transom Unit. Position each *Joining Strip* with dado end at center of unit and opposite end flush with outer frame edge.
- Fasten *Joining Strips* using 1" nails spaced 6" apart staggered along scribe line. **DO NOT** nail into groove in *Joining Strips*.



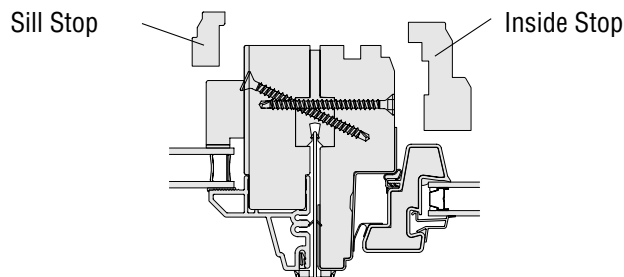
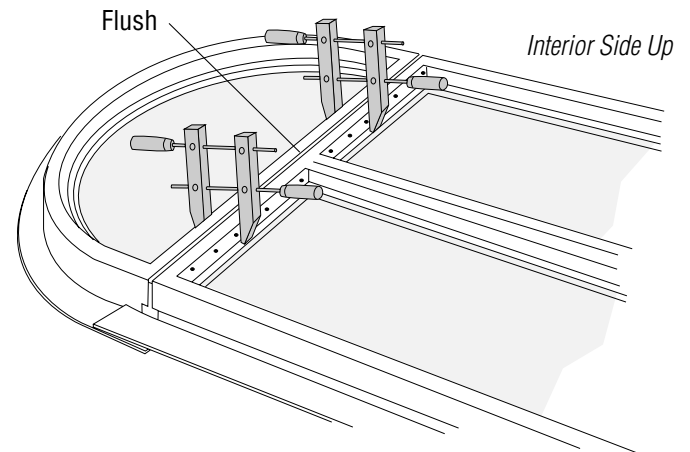
3. Interlock Dados

- Apply silicone sealant to dado end of *Joining Strip*. Position units together, interlocking *Joining Strips*.

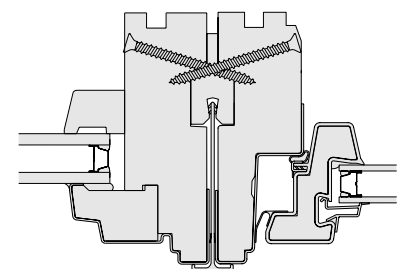


4. Secure Units

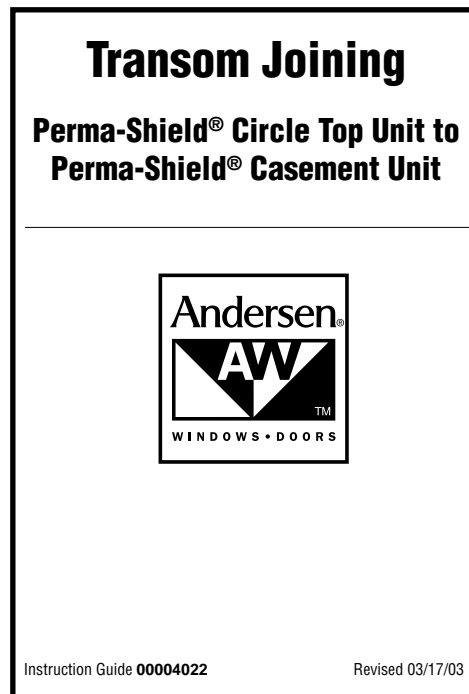
- Remove *Head Stops* of Casement Unit and *Sill Stop* of Circle Top™/Transom Unit. Clamp together keeping interior faces of jambs flush.
- Cross screw through frames of both units staggering 8d coated nails or 2-1/2" screws 6" to 8" apart keeping fasteners 1/4" from edge of vinyl cladding. **DO NOT** drive fasteners through groove in *Joining Strip*.



Architectural Transom to AW Casement

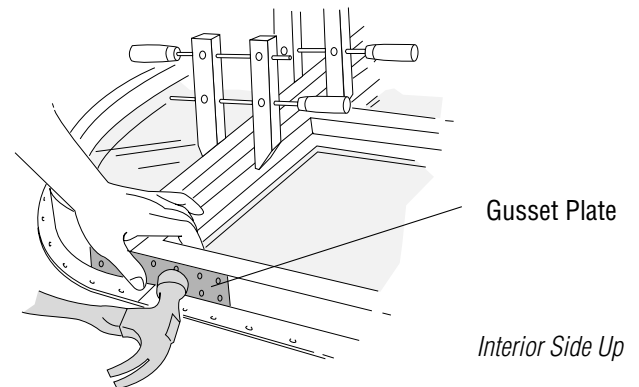


AW Circle Top™ to AW Casement



5. Apply Gusset Plates

- Seal both ends of *Joining Strip* with silicone sealant.
- Apply *Gusset Plates* to both sides of unit centering plates over joint as shown and secure with 5/8" nails or fasteners. Remove clamps and reposition inside stops. Nail with 1-1/2" finishing nails.



6. Apply Trim Strip

- Turn unit exterior side up.
- Apply a continuous bead of silicone sealant to both sides of *Trim Strip*.
- Position *Trim Strip* between units and tap in place using a hammer and wood block until seated.
- Seal both ends of *Trim Strip* with silicone sealant.
- Proceed to units installation guide for installation procedures.

