



ANDERSEN® WINDOW & PATIO DOOR CUSTOM-SIZE MINIMUMS & MAXIMUMS

Custom-size minimum and maximum dimensions for **400, 200 & 100 Series** windows and patio doors.

Casement Windows	2
Awning Windows	2
Double-Hung Windows.	3
Single-Hung Windows	5
Gliding Windows	6
Picture Windows	7
Transom Windows	8
Gliding Patio Doors	10
Hinged Patio Doors	12

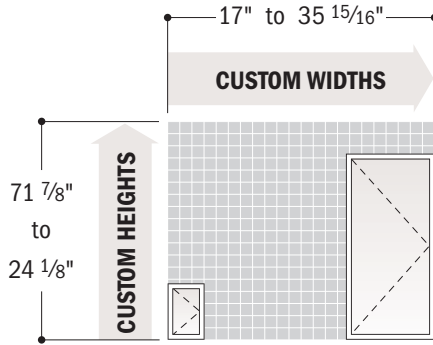
For information on clear opening dimensions, visit www.andersenwindows.com\clearopening.

For the most up-to-date version of this document go to www.andersenwindows.com. Custom-size minimum and maximum size ranges for windows and doors with Stormwatch® Protection are not included in this publication. Contact your Andersen supplier for more information.

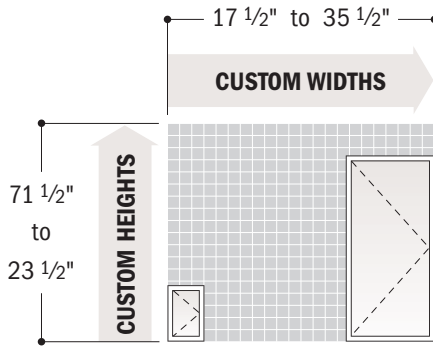
CUSTOM-SIZE MINIMUMS & MAXIMUMS AVAILABLE IN 1/8" INCREMENTS

Casement Windows

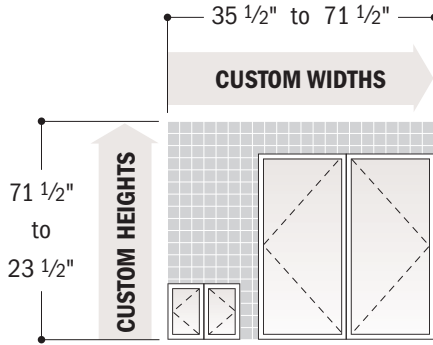
Andersen® 400 Series Casement Windows
STATIONARY & VENTING



Andersen 100 Series Casement Windows
STATIONARY & VENTING

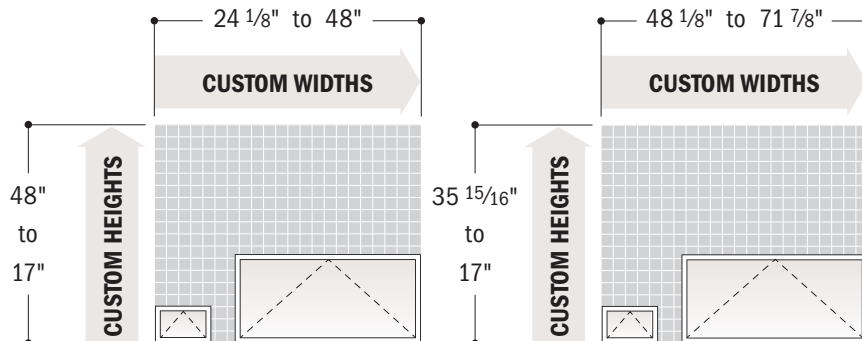


Andersen 100 Series Casement Windows
DOUBLE-WIDE
STATIONARY & VENTING



Awning Windows

Andersen 400 Series Awning Windows
VENTING

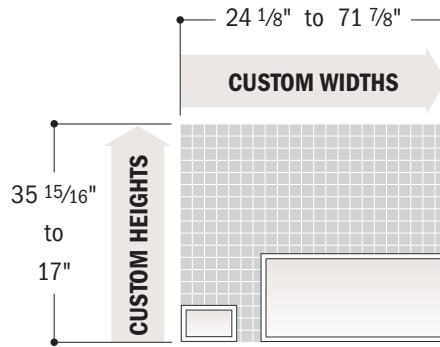


For information on clear opening dimensions, visit www.andersenwindows.com/clearopening.
For the most up-to-date version of this document go to www.andersenwindows.com.

Awning Windows (continued)

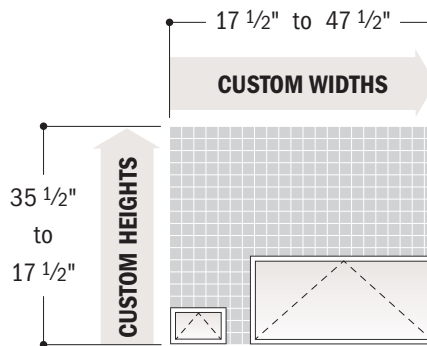
**Andersen 400 Series
 Awning Windows**

STATIONARY



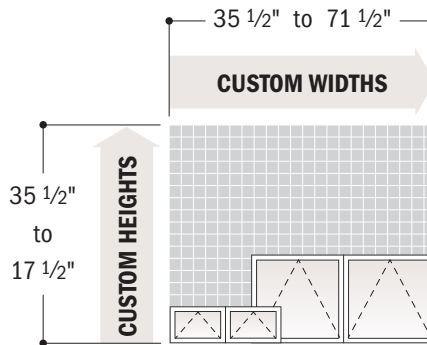
**Andersen® 100 Series
 Awning Windows**

STATIONARY & VENTING



**Andersen 100 Series
 Awning Windows**

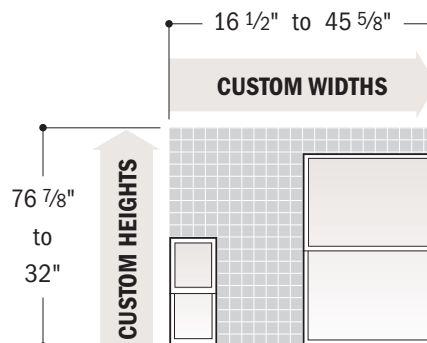
DOUBLE-WIDE
 STATIONARY & VENTING



Double-Hung Windows

**Andersen 400 Series
 Woodwright®
 Double-Hung
 Full-Frame Windows**

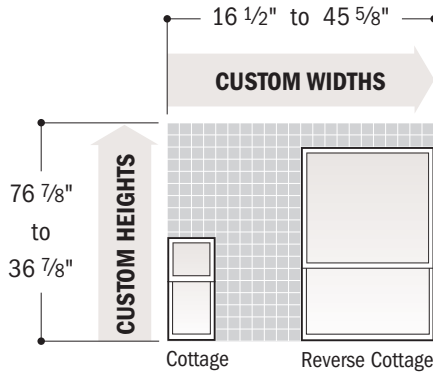
EQUAL SASH



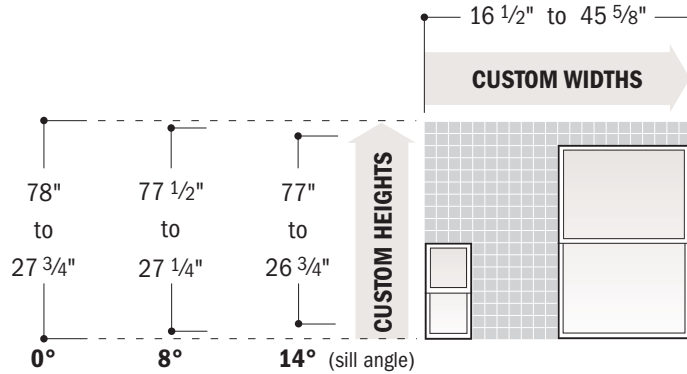
CUSTOM-SIZE MINIMUMS & MAXIMUMS AVAILABLE IN 1/8" INCREMENTS

Double-Hung Windows (continued)

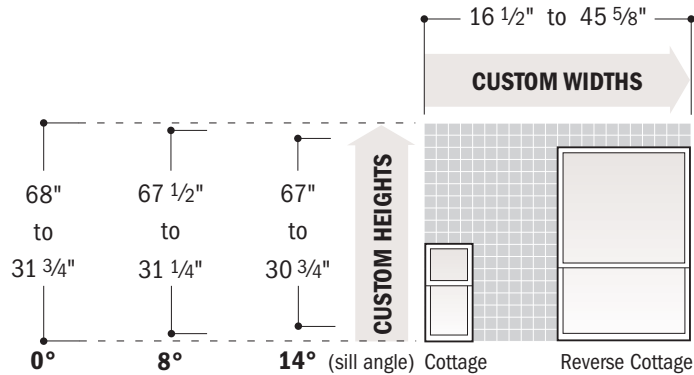
Andersen 400 Series Woodwright Double-Hung Full-Frame Windows
COTTAGE & REVERSE COTTAGE SASH



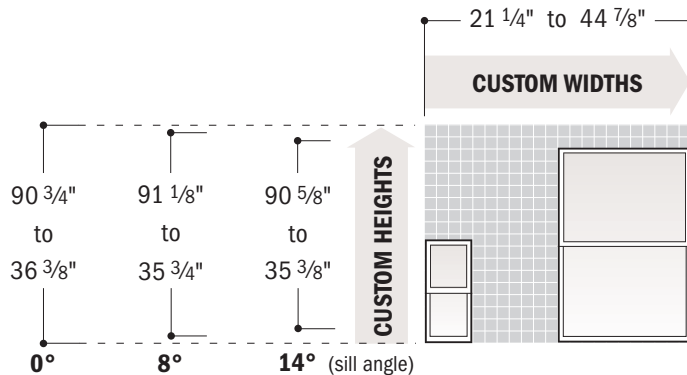
Andersen® 400 Series Woodwright® Double-Hung Insert Windows
EQUAL SASH



Andersen 400 Series Woodwright Double-Hung Insert Windows
COTTAGE & REVERSE COTTAGE SASH

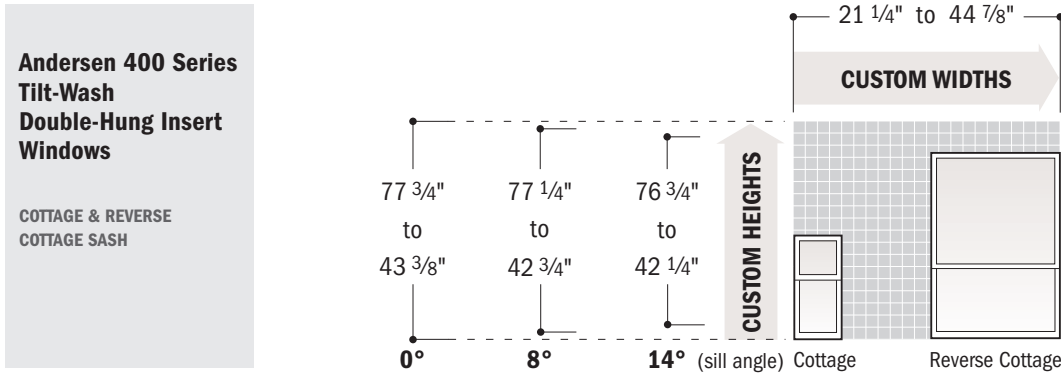


Andersen 400 Series Tilt-Wash Double-Hung Insert Windows
EQUAL SASH

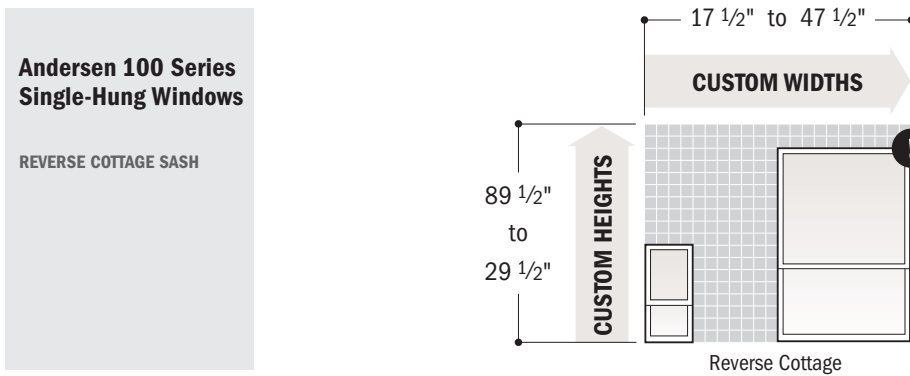
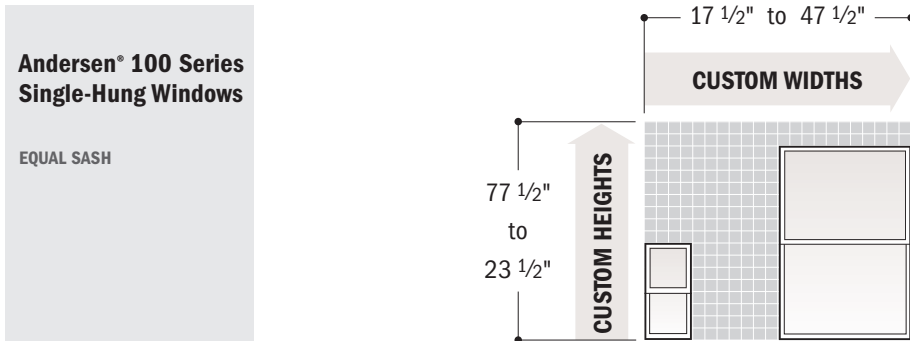


For information on clear opening dimensions, visit www.andersenwindows.com/clearopening.
For the most up-to-date version of this document go to www.andersenwindows.com.

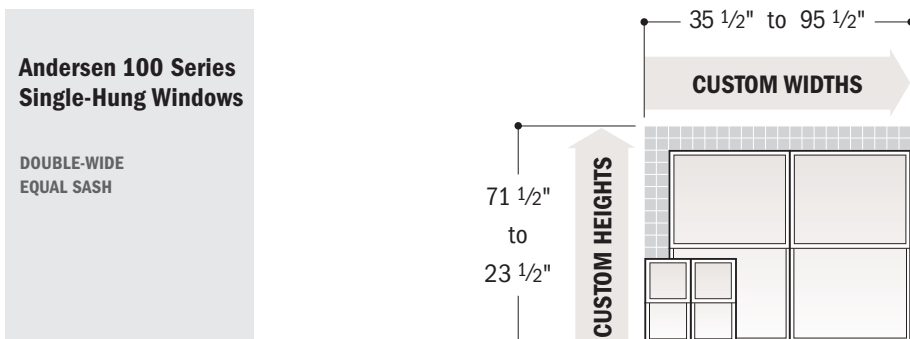
Double-Hung Windows (continued)



Single-Hung Windows



! Windows taller than 77 1/2" have a larger upper to lower sash ratio. See the 100 Series product guide for details.



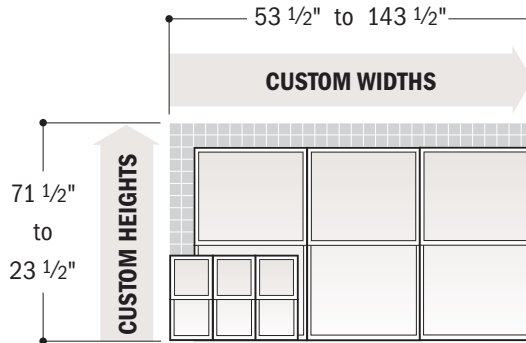
For information on clear opening dimensions, visit www.andersenwindows.com/clearopening.
 For the most up-to-date version of this document go to www.andersenwindows.com.

CUSTOM-SIZE MINIMUMS & MAXIMUMS AVAILABLE IN 1/8" INCREMENTS

Single-Hung Windows (continued)

**Andersen 100 Series
Single-Hung Windows**

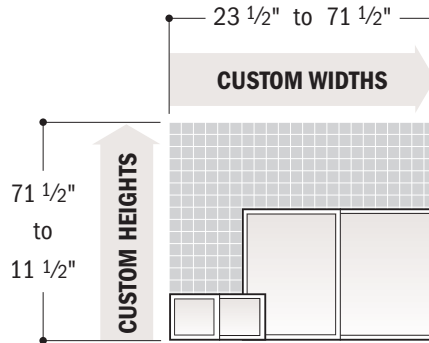
TRIPLE-WIDE
EQUAL SASH



Gliding Windows

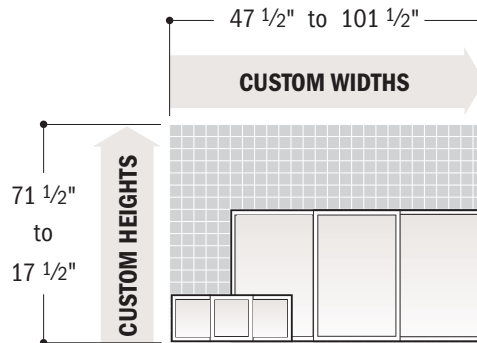
**Andersen® 100 Series
Gliding Windows**

X0 & 0X



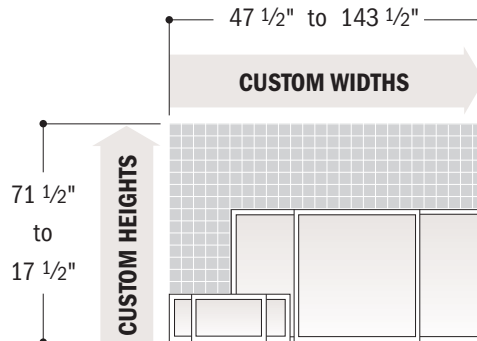
**Andersen 100 Series
Gliding Windows**

X0X
EQUAL SASH



**Andersen 100 Series
Gliding Windows**

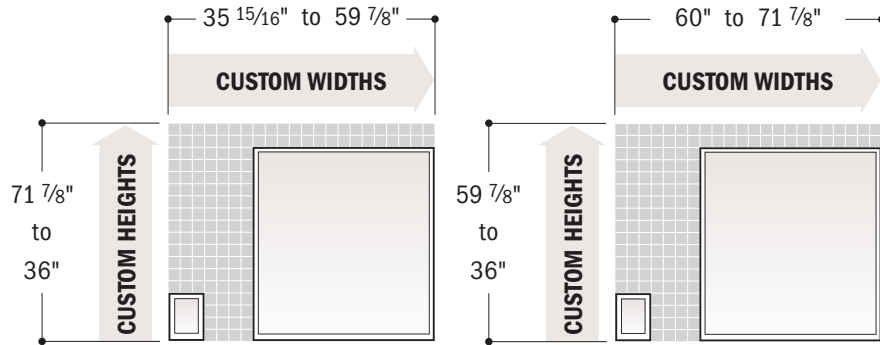
X0X
1:2:1 SASH RATIO



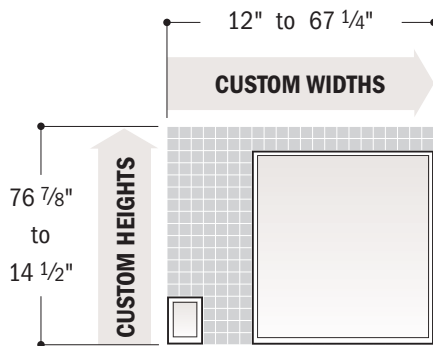
For information on clear opening dimensions, visit www.andersenwindows.com/clearopening.
For the most up-to-date version of this document go to www.andersenwindows.com.

Picture Windows

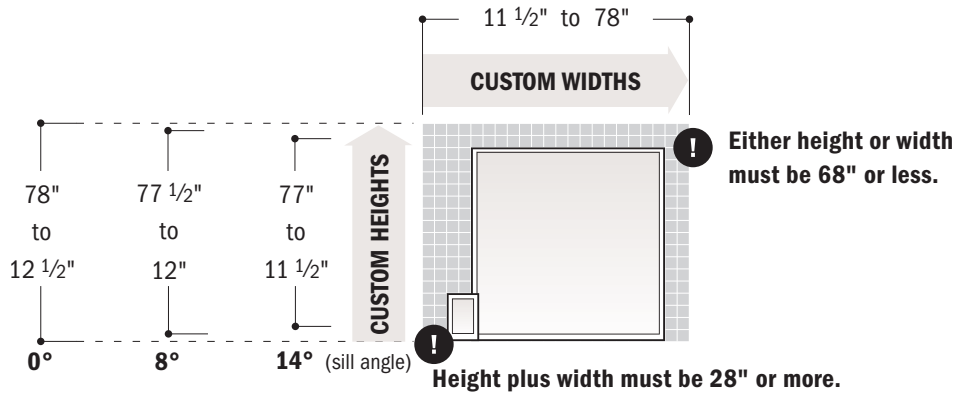
**Andersen 400 Series
 Casement/Awning
 Picture Windows**



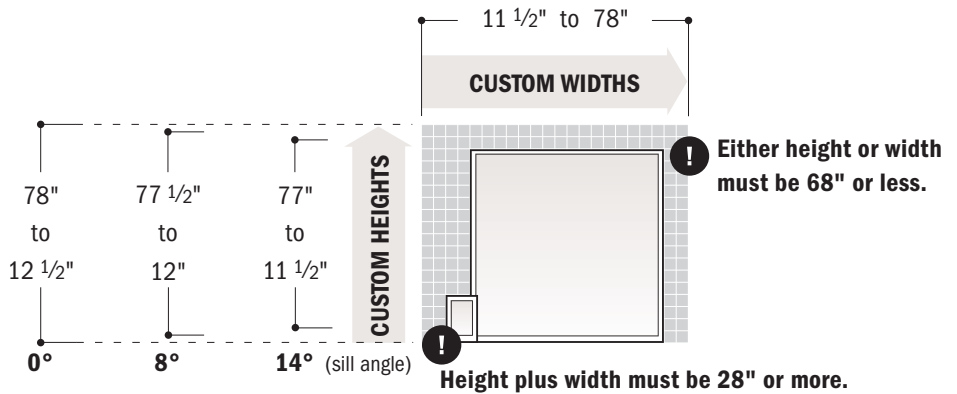
**Andersen® 400 Series
 Woodwright®
 Picture Full-Frame
 Windows**



**Andersen 400 Series
 Woodwright Picture
 Insert Windows**



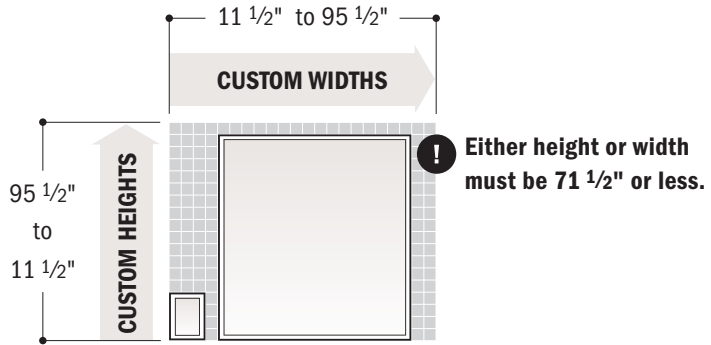
**Andersen 400 Series
 Tilt-Wash Picture
 Insert Windows**



CUSTOM-SIZE MINIMUMS & MAXIMUMS AVAILABLE IN 1/8" INCREMENTS

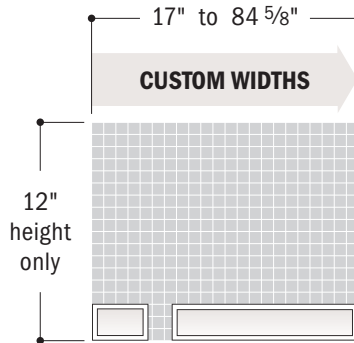
Picture Windows (continued)

**Andersen 100 Series
Picture/Transom
Windows**

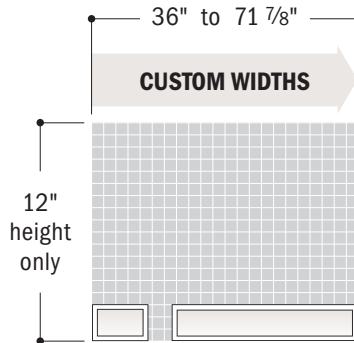


Transom Windows

**Andersen® 400 Series
Casement/Awning
Transom Windows**

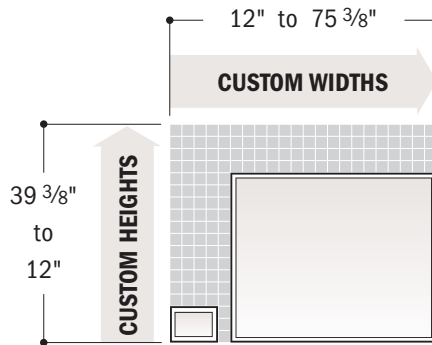


**Andersen® 400 Series
Casement/Awning
Picture Transom
Windows**

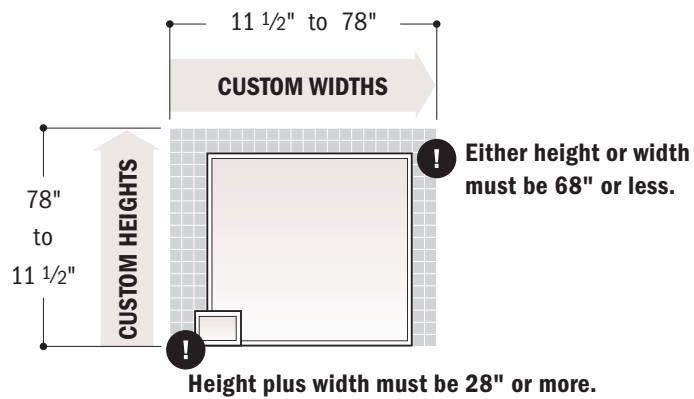


Transom Windows (continued)

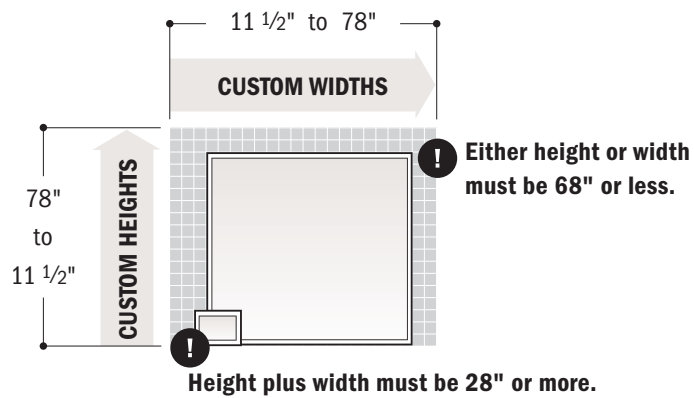
**Andersen 400 Series
 Woodwright Transom
 Full-Frame Windows**



**Andersen 400 Series
 Woodwright Transom
 Insert Windows**



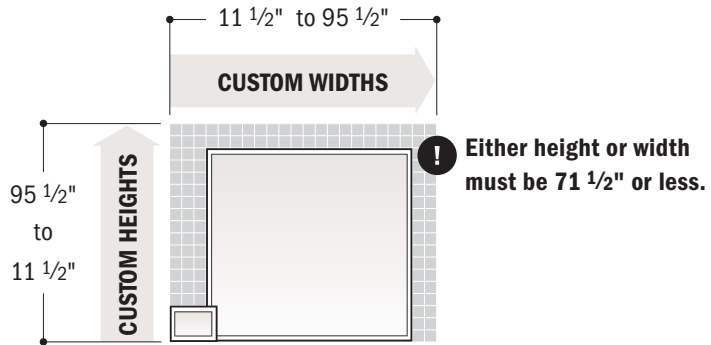
**Andersen 400 Series
 Tilt-Wash Transom
 Insert Windows**



CUSTOM-SIZE MINIMUMS & MAXIMUMS AVAILABLE IN 1/8" INCREMENTS

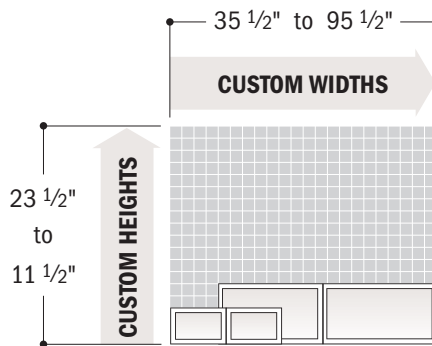
Transom Windows (continued)

**Andersen® 100 Series
Picture/Transom
Windows**



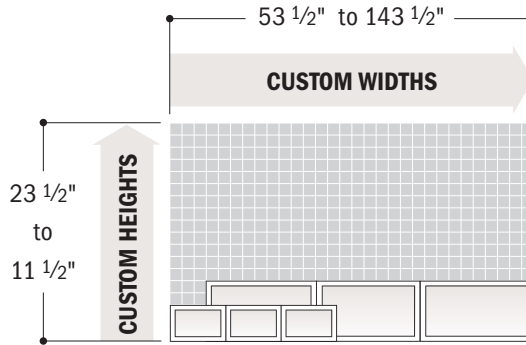
**Andersen 100 Series
Transom Windows**

DOUBLE-WIDE



**Andersen 100 Series
Transom Windows**

TRIPLE-WIDE

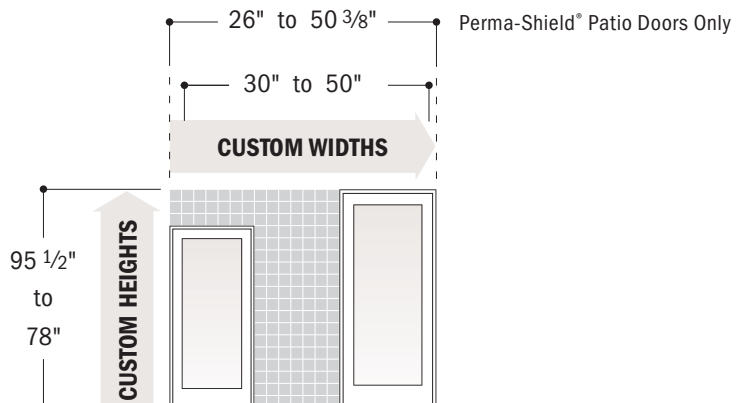


Gliding Patio Doors

**Single Stationary
Panel**

ANDERSEN 400 SERIES
FRENCHWOOD® GLIDING PATIO
DOORS

ANDERSEN 200 SERIES
NARROLINE® & PERMA-SHIELD®
GLIDING PATIO DOORS

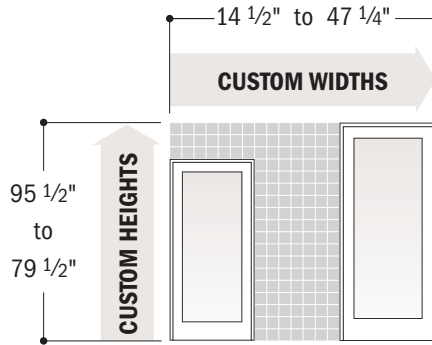


For information on clear opening dimensions, visit www.andersenwindows.com/clearopening.
For the most up-to-date version of this document go to www.andersenwindows.com.

Gliding Patio Doors (continued)

Single Stationary Panel (Sidelight)

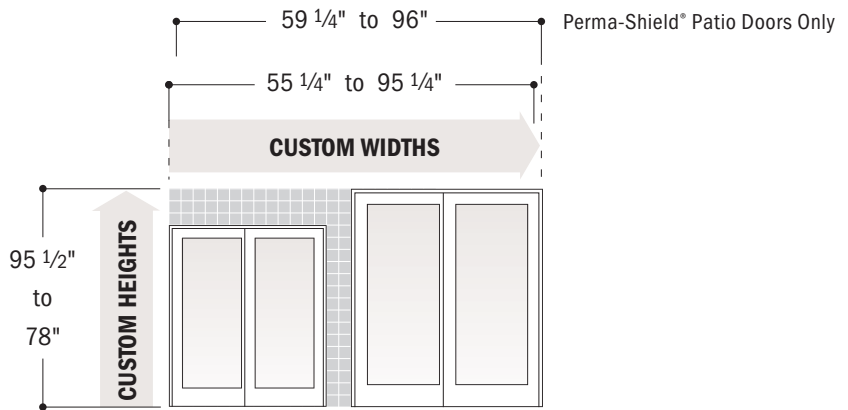
ANDERSEN® 100 SERIES
 GLIDING PATIO DOORS
 (SIDELIGHT)



2-Panel

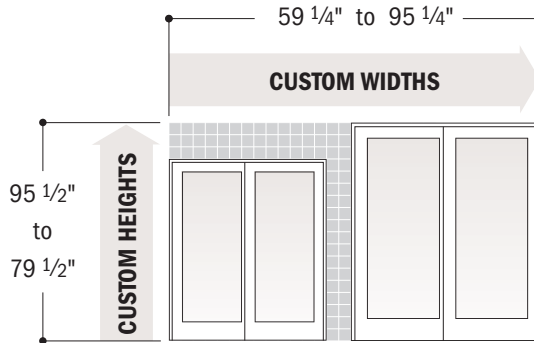
ANDERSEN 400 SERIES
 FRENCHWOOD® GLIDING PATIO
 DOORS

ANDERSEN 200 SERIES
 NARROLINE® & PERMA-SHIELD®
 GLIDING PATIO DOORS



2-Panel

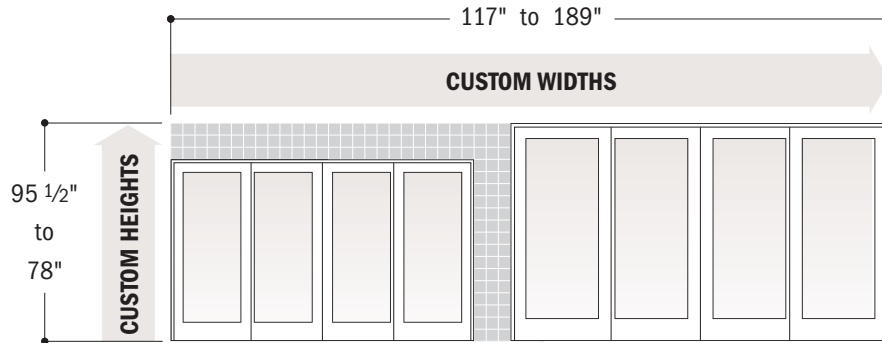
ANDERSEN 100 SERIES
 GLIDING PATIO DOORS



4-Panel

ANDERSEN 400 SERIES
 FRENCHWOOD GLIDING
 PATIO DOORS

ANDERSEN 200 SERIES
 NARROLINE GLIDING PATIO
 DOORS

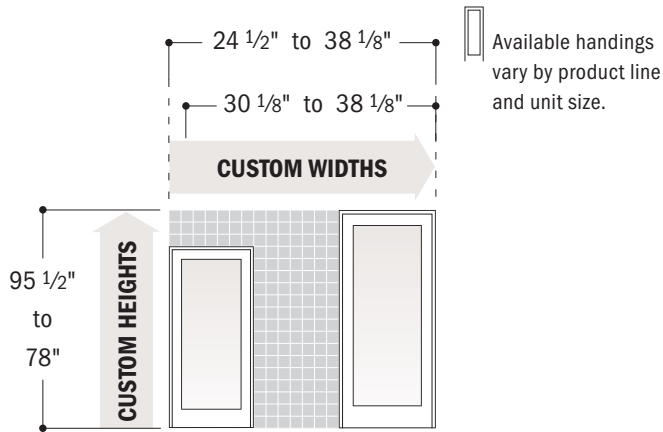


CUSTOM-SIZE MINIMUMS & MAXIMUMS AVAILABLE IN 1/8" INCREMENTS

Hinged Patio Doors

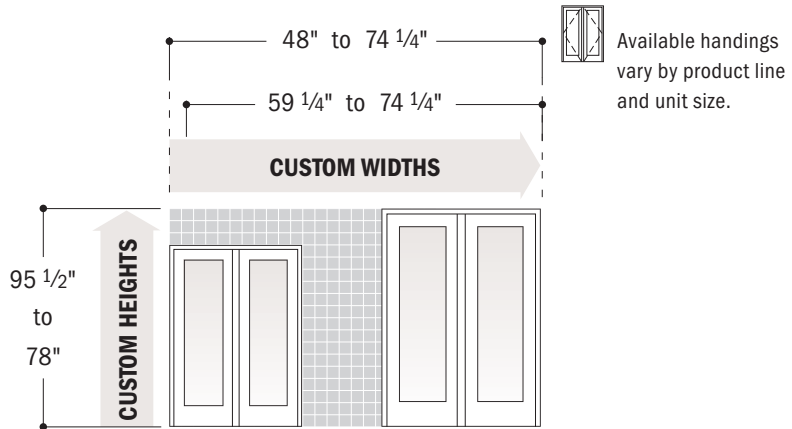
Single Panel & Single Stationary Panel

ANDERSEN® 400 SERIES FRENCHWOOD® INSWING & OUTSWING PATIO DOORS



2-Panel

ANDERSEN 400 SERIES FRENCHWOOD INSWING & OUTSWING PATIO DOORS



3-Panel

ANDERSEN 400 SERIES FRENCHWOOD INSWING PATIO DOORS

