

Custom Insect Screen Measuring Guide

for Andersen® 400 Series Woodwright® and Tilt-Wash Double-Hung Windows



IMPORTANT

Read all instructions carefully before attempting this procedure. If you have any questions about your ability to complete this procedure, call Andersen at 1-888-888-7020 for further direction. Andersen WindowCare® service center hours are Monday through Friday, 7 a.m. to 7 p.m. Central Time and Saturday, 8 a.m. to 4 p.m. Central Time. Thank you for choosing Andersen® products.

Important Safety, Assembly, and Installation Information

Every assembly and installation is different (windloads, structural support, etc.), and Andersen strongly recommends consultation with an Andersen supplier or an experienced contractor, architect, or structural engineer prior to the assembly and installation of any Andersen product. Andersen has no responsibility in regard to the post-manufactured assembly and installation of Andersen products.

⚠ WARNING

Use of ladders and/or scaffolding and working at elevated levels may be hazardous. Follow equipment manufacturer's instructions for safe operation. Use extreme caution when working around window and door openings. Falling from opening may result in personal injury or death.

⚠ WARNING

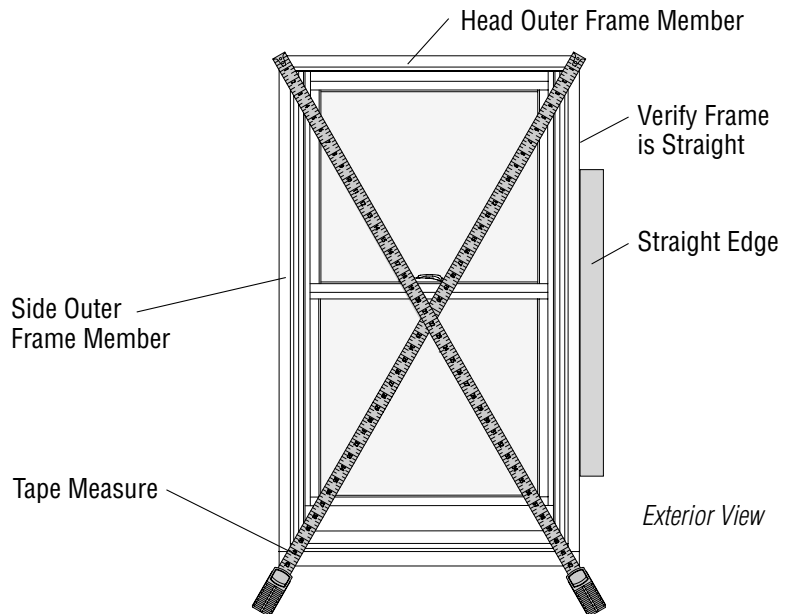
Improper use of hand or power tools could result in personal injury and/or product damage. Follow equipment manufacturer's instructions for safe operation. Always wear safety glasses.

Tools and Supplies

- Tape Measure
- Straight Edge

1. Verify Correct Installation of Unit

- Measure diagonally across unit, upper left to lower right, and upper right to lower left corners. Measurements must be within 1/4". If measurements exceed 1/4", unit is out-of-square and *Custom Insect Screens* cannot be made to fit.
- Place straight edge against *Side Outer Frame Member* to determine if frame is straight. If frame varies by more than 1/16", *Custom Insect Screens* cannot be made to fit.

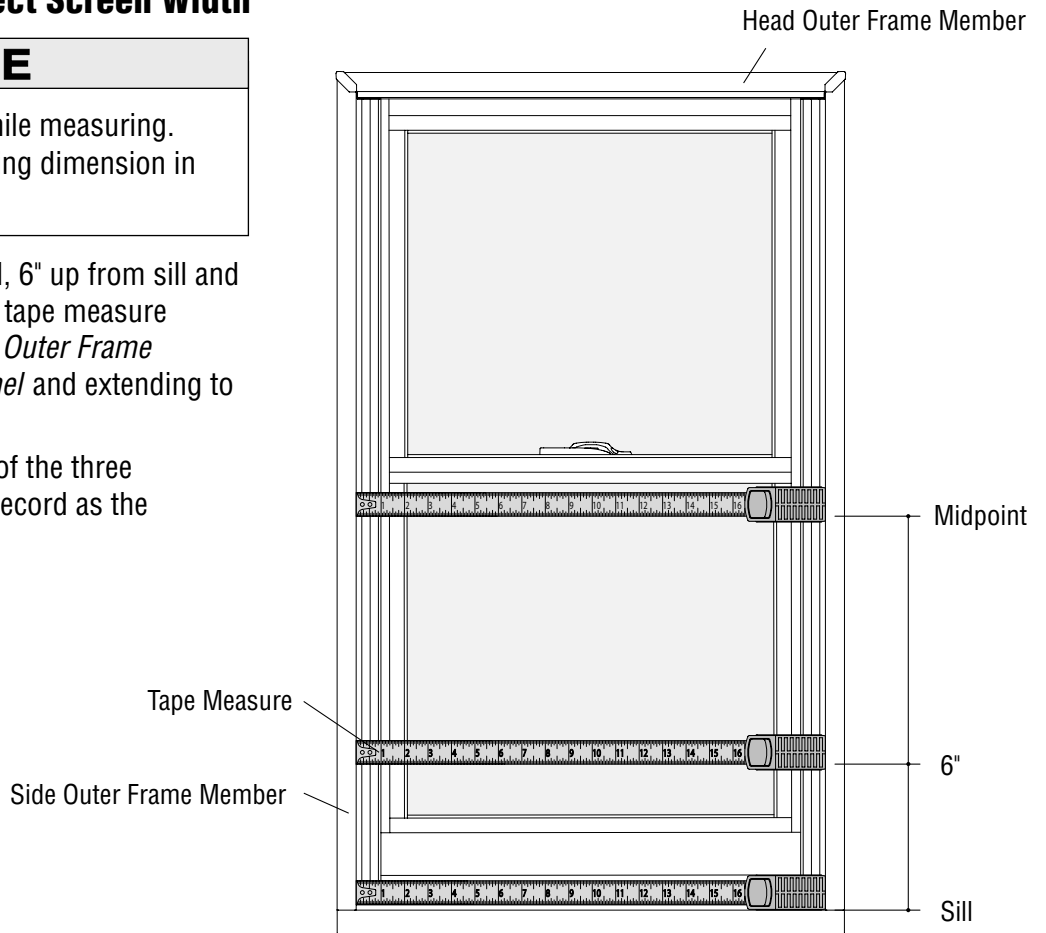


2. Determine Custom Insect Screen Width

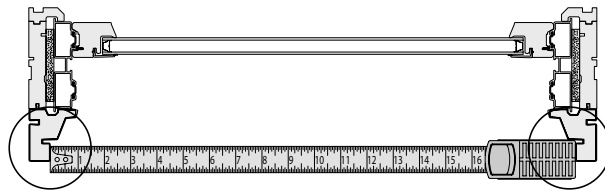
NOTICE

Keep tape measure level while measuring. Include tape measure housing dimension in measurements.

- Measure width of frame at sill, 6" up from sill and at midpoint of unit by butting tape measure housing against edge of *Side Outer Frame Member Insect Screen Channel* and extending to other side, as shown.
- Take **smallest** measurement of the three locations, subtract 1/8", and record as the *Custom Insect Screen* width.



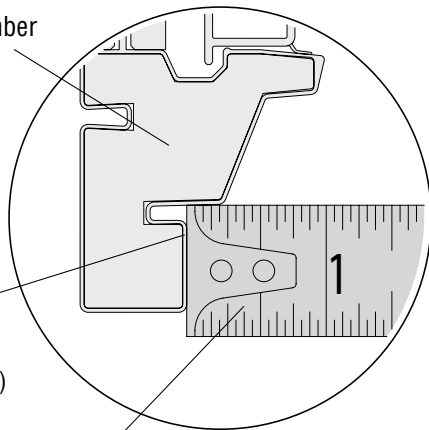
Exterior View



Side Outer Frame Member

Edge of Outer Frame Member Insect Screen Channel (Measure from this Point)

Tape Measure

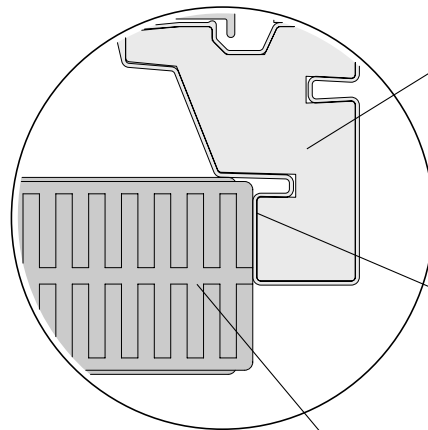


Cross Section Detail

Side Outer Frame Member

Edge of Outer Frame Member Insect Screen Channel (Measure from this Point)

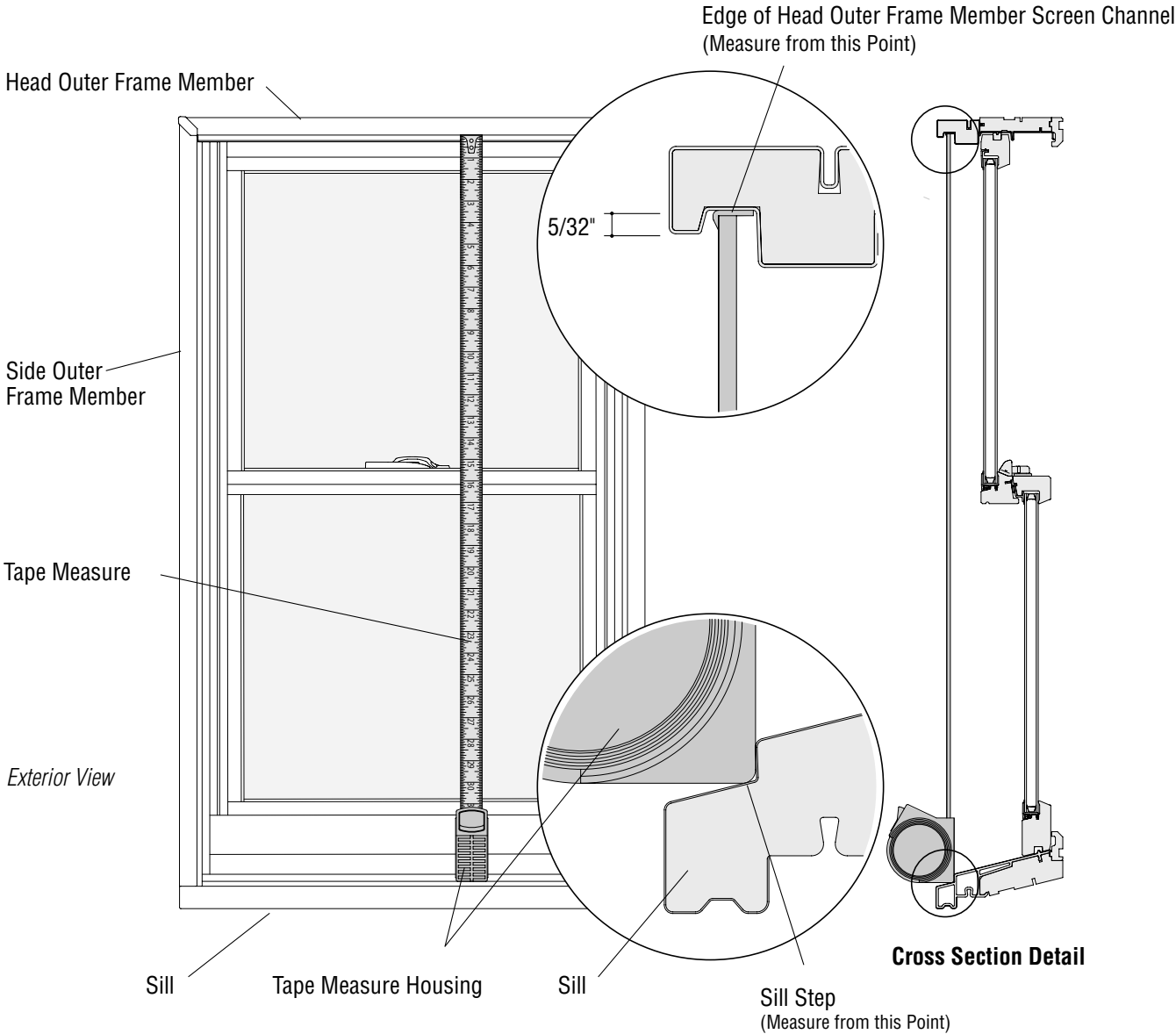
Tape Measure Housing



3. Determine Insect Screen Height

NOTICE
Keep tape measure level while measuring. Include tape measure housing dimension in measurements.

- Measure height of frame at center and one edge by butting tape measure housing against step in sill and extend vertically into *Head Outer Frame Member Insect Screen Channel*.
- Record smallest measurement of two locations as the *Custom Insect Screen height*.



4. Order Custom Insect Screen

NOTICE

Use actual dimensions to order Custom Insect Screen (example: 31-5/8" x 38"). **DO NOT** order as a cut down dimension (example: TW2832 insect screen cut down 1/4" in width)

- Order *Custom Insect Screen* using recorded width and height dimensions.