

# Pass-Thru Insect Screen

for Andersen® Gliding Windows



**INSTALLER: Please leave this guide with the building owner to file for future reference.**

Congratulations! You have just purchased one of the many fine Andersen products. For ease of installation and continued enjoyment of your Andersen product, please read and follow this Instruction Guide completely. If your abilities do not match this procedure's requirements contact an experienced contractor. You may direct any questions about this or other products to your local Andersen dealer. Andersen dealers can be found in the Yellow Pages under Windows. Thank you for choosing Andersen.

## Important Safety, Assembly, and Installation Information

Proper assembly, installation and maintenance of Andersen products is essential if the benefits of experienced product design and engineering, quality materials, and skilled workmanship are to be fully attained. Every assembly and installation is different (windloads, structural support, etc.) and, Andersen strongly recommends consultation with an Andersen supplier or an experienced contractor, architect, or structural engineer prior to the assembly and installation of any Andersen product. Assembly and installation of Andersen products is the sole responsibility of the architect, building owner, contractor and/or consumer and Andersen has no responsibility in this regard.

### ⚠ WARNING

Use of ladders and/or scaffolding and working at elevated levels may be hazardous. Follow equipment manufacturer's instructions for safe operation. Use extreme caution when working around window and door openings. Personal injury and/or falls could occur.

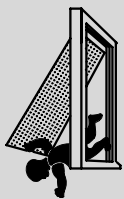
### ⚠ WARNING

Improper use of hand or power tools could result in personal injury and/or product damage. Follow equipment manufacturer's instructions for safe operation. Always wear safety glasses.

### ⚠ WARNING

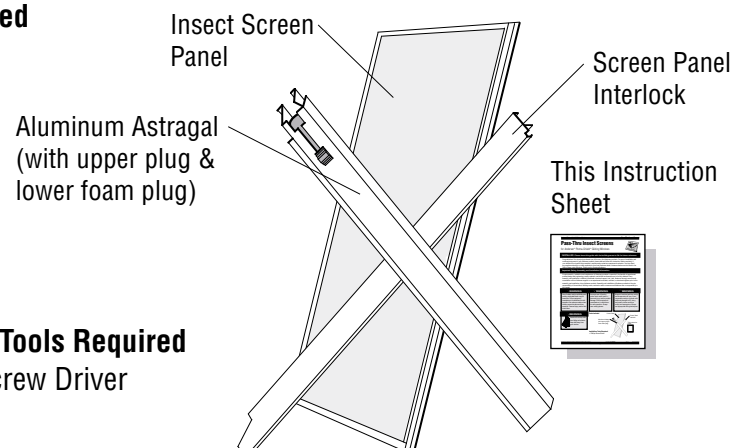
Weight of window and door unit(s) and accessories will vary. Use a reasonable number of people with sufficient strength to lift, carry, and install window and door unit(s) and accessories. Always use appropriate lifting techniques.

### ⚠ WARNING



Screen will not stop child from falling out window. Keep child away from open window.

### Parts Included

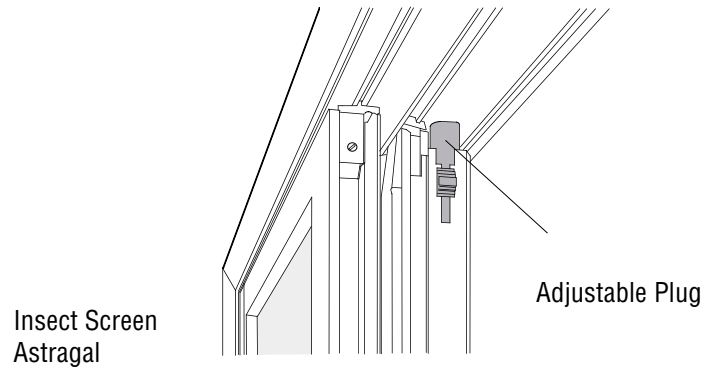
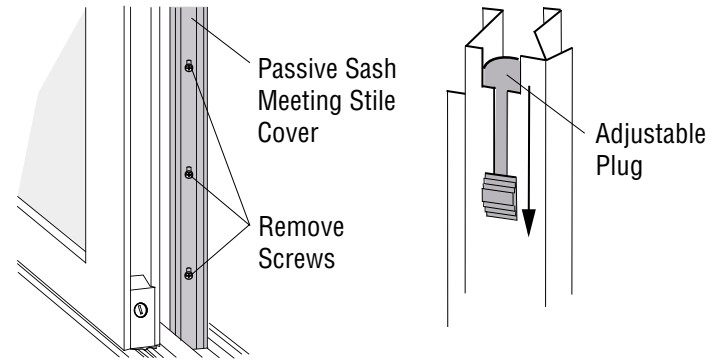
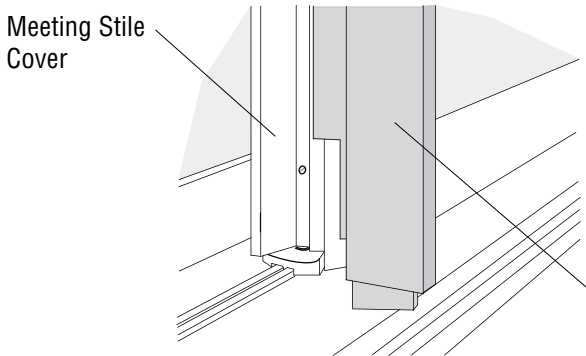


### Installation Tools Required

- Phillips Screw Driver

## 1. Attach Insect Screen Astragal

- Remove *Passive Sash Meeting Stile Cover*. Gently pry cover away from sash.
- Retract *Adjustable Plug* in *Insect Screen Astragal*.
- Line up *Insect Screen Astragal* with bottom edge of *Meeting Stile Cover*. Snap *Astragal* over cover and slide up or down to align if necessary. Reinstall *Meeting Stile Cover* and screws.
- Slide passive sash closed. Check fit of *Adjustable Plug* by pushing it up into the head jamb.



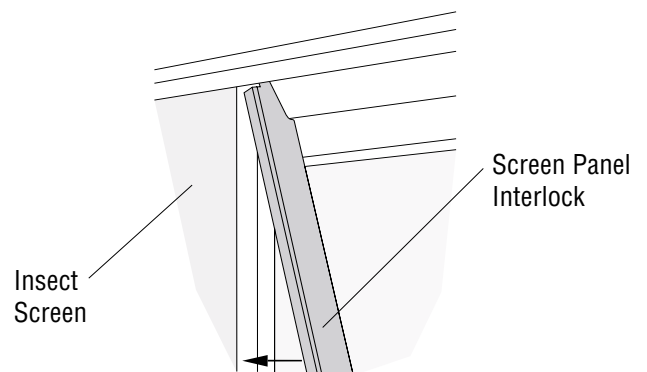
## 2. Install Insect Screen

- Place top of *Insect Screen* into insect screen channel on frame. Pull bottom of *Insect Screen* in and over lower insect screen channel and set *Insect Screen* in lower channel.



## 3. Attach Screen Panel Interlock

- Slide *Insect Screen* open approximately 3".
- Move Passive and Active Sash to the right as viewed from interior.
- Snap *Insect Screen Panel Interlock* to the right hand side of *Insect Screen* as viewed from exterior. *Insect Screen Panel* should now slide freely and create a seal at the meeting stile when fully closed.



Viewed from Exterior

### NOTICE

The passive sash can still be opened with the pass-through insect screen in place however, the adjustable plug must be retracted.