

# Combination Unit

## for Andersen® Double-Hung Venting Units



Congratulations! You have just purchased one of the many fine Andersen® products. For ease of assembly and installation and continued enjoyment of your Andersen® product please read and follow this Installation Guide completely. You may direct any questions about Andersen® products to your local Andersen® dealer. Andersen® dealers can be found in the Yellow Pages under Windows.

**Installer: Please leave the Installation Guide with the home owner to file for future reference. Thank you for choosing Andersen®.**

### Importance of Proper Assembly and Installation

Proper assembly, installation, and maintenance of Andersen products are essential if the benefits of experienced product design and engineering, quality materials, and skilled workmanship are to be fully attained. General recommendations regarding assembly and installation are guidelines only. Every assembly and installation is different (windloads, structural support, etc.), and Andersen strongly recommends consultation with an Andersen supplier or an experienced contractor, architect, or structural engineer prior to the assembly and installation of any Andersen product. Assembly and installation of Andersen products is the sole responsibility of the architect, building owner, contractor and/or consumer and Andersen has no responsibility in this regard.

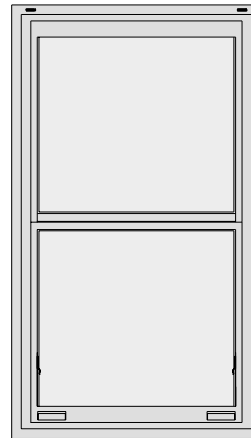
### Parts Included

- (1) Combination Unit
- (2) Tilt-Wash and DC Hangers and Screws
- (2) Narroline Hangers and Screws
- (2) Anchor Screw Grommets for Hollow core DC units
- (1) Installation Guide

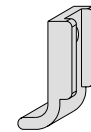
### Installation Tools and Supplies Needed:

- Safety Glasses
- 3/32" Drill Bit
- 5/16" Drill Bit (DC Units Only)
- Electric Drill
- Phillips Head Screwdriver
- Tape Measure
- Pencil

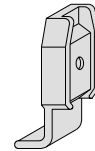
### Component Identification



Combination Unit  
(shown from interior)



Narroline  
Hanger



Tilt-Wash and DC  
Hanger



Anchor Screw



Screw Grommet  
(DC hollow Core Units Only)

### ⚠ WARNING



Screen will not stop child from falling out window. Keep child away from open window

### ⚠ CAUTION

Unless specifically ordered, Andersen windows are not equipped with safety glass, and if broken, could fragment causing injury. Many laws and building codes require safety glass in locations adjacent to or near doors. Andersen windows are available with safety glass that may reduce the likelihood of injury when broken. Information on safety glass is available from your local Andersen dealer.

Do not apply any type of film to glass. Thermal stress conditions resulting in glass damage could occur.

The use of movable insulating materials such as window coverings, shutters, and other shading devices may damage glass and/or vinyl. In addition, excessive condensation may result causing deterioration of window unit.

### ⚠ WARNING

Improper use of hand or power tools could result in personal injury and/or product damage. Follow equipment manufacturer's instructions for safe operation. Always wear safety glasses.

### ⚠ WARNING

Use of ladders and/or scaffolding and working at elevated levels may be hazardous. Follow equipment manufacturer's instructions for safe operation. Use extreme caution when working around window and door openings. Personal injury and/or falls could occur.

### ⚠ WARNING

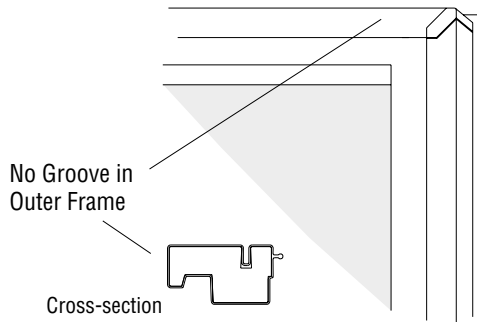
Weight of window and door unit(s) and accessories will vary. Use a reasonable number of people with sufficient strength to lift, carry and install window and door unit(s) and accessories. Always use appropriate lifting techniques.

### 1. Identify Window Unit Type

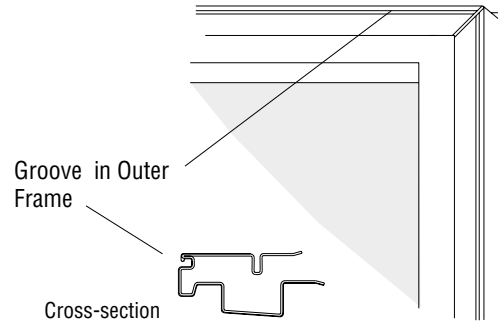
#### ! CAUTION

Before proceeding, determine the type of Double-Hung window the Combination Unit will be installed on, **Tilt-Wash, Narroline or DC** units. Follow steps and use components pertaining to your particular window type. Determine window type by inspecting the Outer Frame from the exterior for the existence of a groove. If unit has a groove, it is a **DC** unit. If no groove exists, the unit is a **Tilt-Wash or Narroline**.

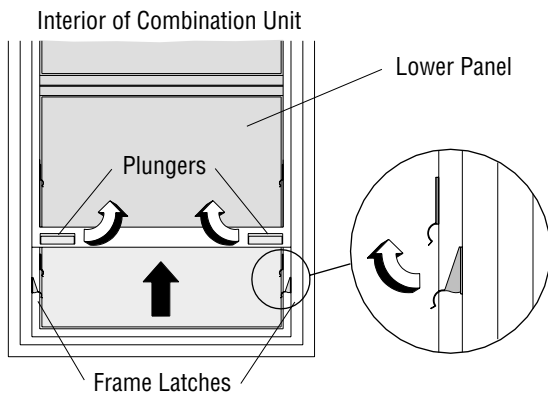
#### Tilt-Wash and Narroline Units



#### DC Units



### 2. Prepare for Installation



- Open the *Lower Sash* on the double-hung window unit.
- Remove the *Combination Unit* from carton and place upright, with interior side toward you. Remove packing material.
- Pull the *Plunger Handles* inward and lift *Lower Panel* up approximately 10 inches until *Panel* engages in the first notch.
- Open *Frame Latches* on both sides of combination unit.

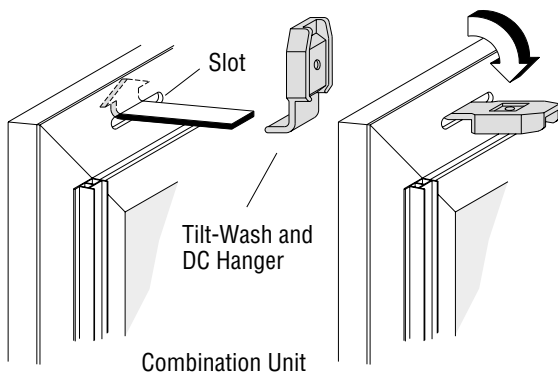
### 3. Insert Hangers in Combination Unit

#### ! CAUTION

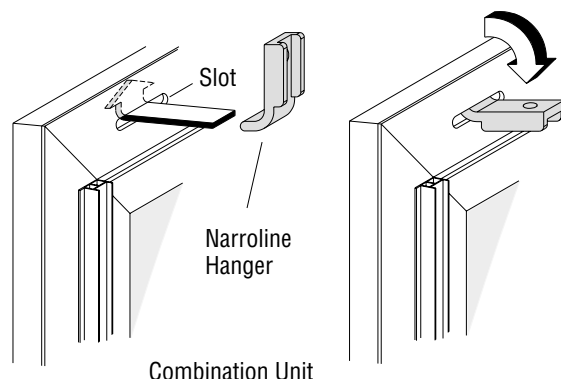
Use the correct Hanger for your window type. DC and Tilt-Wash units have sash that tilt-in for cleaning, Narroline units do not.

- Insert the *Hangers* for your window type, into the slots on the interior side of the Combination Unit and turn downward.

#### DC and Tilt-Wash Hangers



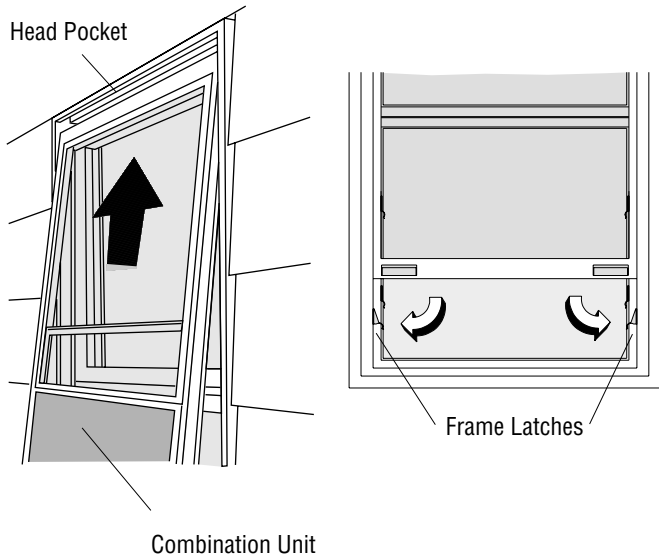
#### Narroline Hangers



#### 4. Position Combination Unit in Window Frame

### ⚠ WARNING

Use a sufficient number of people to support the combination unit during installation. Failure to provide sufficient support could result in serious personal injury and/or product damage.



- From the exterior, slide *Combination Unit* into head pocket of window unit and push inward against window frame.
- From the interior push the *Frame Latches* on the *Combination Unit* into the slots.

### NOTICE

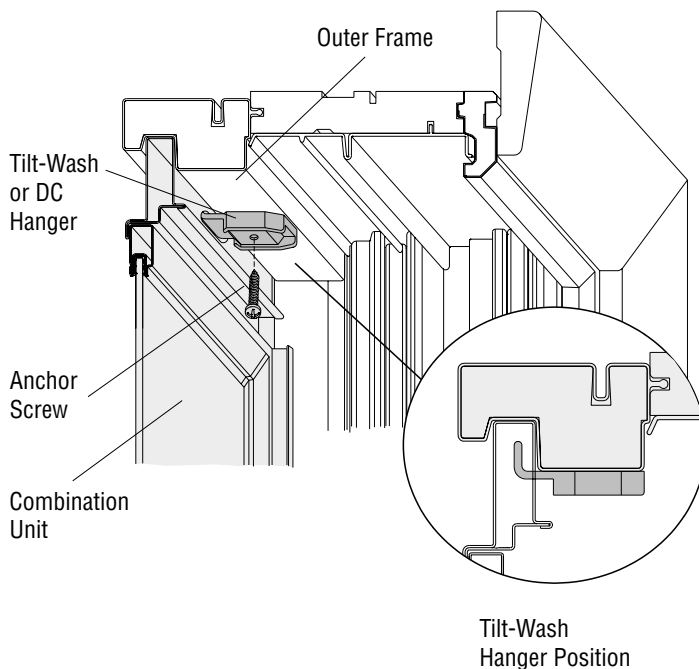
#### DC Window Units Only

Proceed to **Step 6** on Page 4 to continue installation. Tilt-Wash and Narroline Window units proceed to **Step 5**.

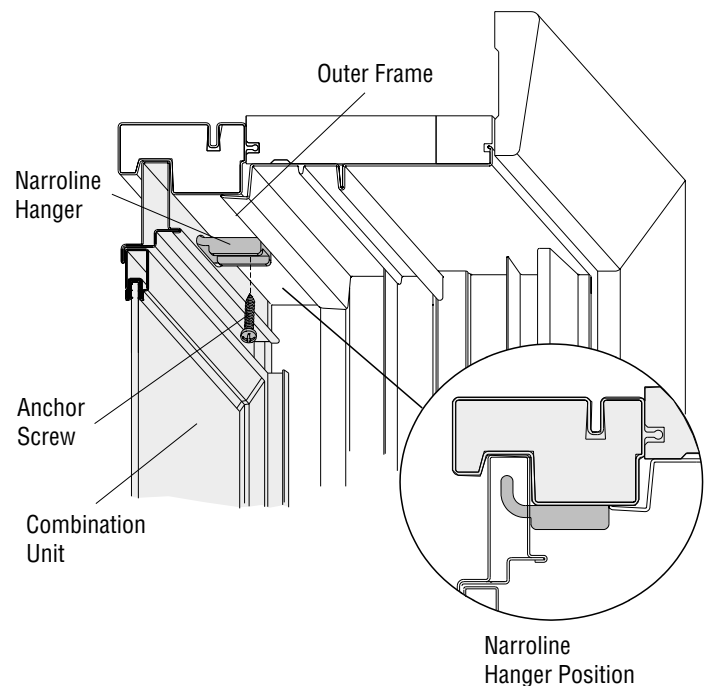
#### 5. Attach Hanger to Outer Frame

- DC windows proceed to Step 6.
- Position *Hanger* against outer frame as shown and place a pencil mark through hole.
- Drill on pencil mark using a 3/32" drill bit 3/8" deep.
- Secure *Hangers* to outer frame using *Anchor Screws* provided.
- **Installation is now complete for Tilt-Wash and Narroline Units.**

#### Tilt-Wash Units

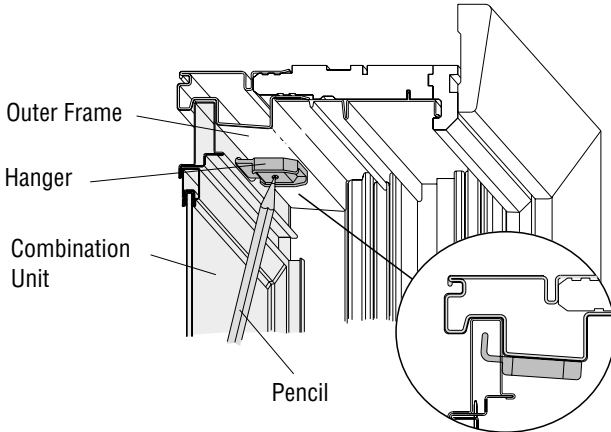


#### Narroline Units



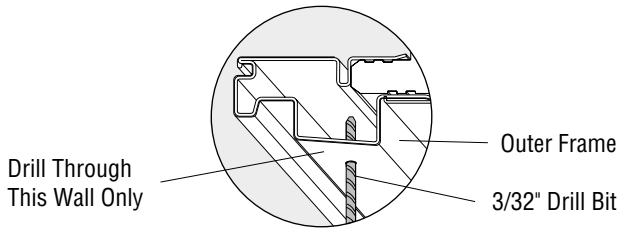
## Steps 6-10 are for DC Units ONLY

### 6. Mark Screw Grommet Location



- Close Lower Sash on DC unit.
- Open Upper Sash on DC unit.
- Position *Hangers* against frame as shown. Place a pencil mark inside holes to mark *Screw Grommet* locations.
- Open *Frame Latches* and remove *Combination Unit* from the exterior.

### 7. Predrill Screw Grommet Holes

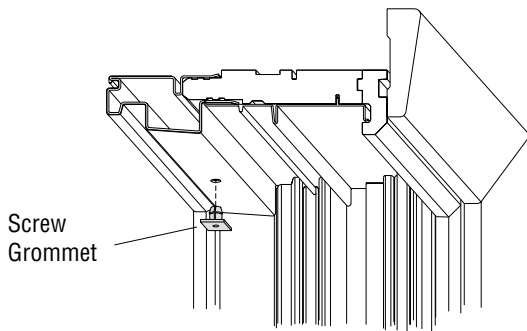


#### ! CAUTION

Drill only through outside wall of outer frame when predrilling

- Predrill holes on center of pencil marks using a 3/32" drill bit. Drill only through outside wall of outer frame.

### 8. Enlarge Holes and Insert Screw Grommets



#### ! CAUTION

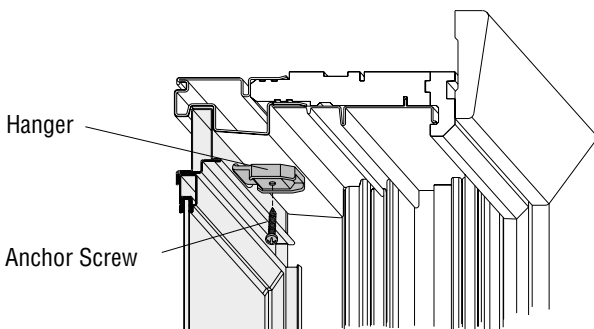
Screw Grommet Holes must be 5/16" in diameter. Larger holes may allow Screw Grommets and Combination Unit to fall out causing personal injury or damage to product.

- Enlarge holes using a 5/16" (0.3125) drill bit. Drill only through outside wall of frame.
- Insert *Screw Grommets* into holes. Tap lightly with a hammer to seat if necessary.
- Position grommet head parallel with frame edge to allow attachment of *Hanger*.

### 9. Reinstall Combination Unit

- Repeat **STEP 4** of this guide to reinstall Combination Unit.

### 10. Secure Combination Unit to Frame

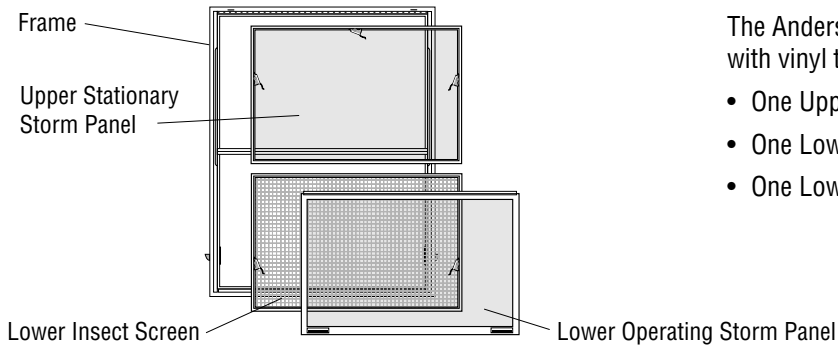


#### ! CAUTION

Do not over tighten anchor screws. Over tightening anchor screws may allow Screw Grommets and Combination Unit to fall out causing personal injury or damage to product.

- Make sure holes in *Hangers* align with holes in *Screw Grommets*. Secure using the anchor screws provided, tighten until snug.
- **Installation is now complete for DC units.**

## Removing Insect Screens and Storm Panels

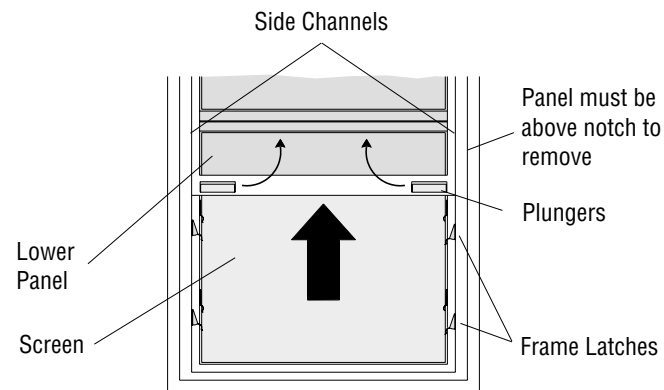


## Removing Insect Screens and Storm Panels

The Andersen Combination Unit is composed of a frame complete with vinyl tracks, locking devices and interlocking meeting rail:

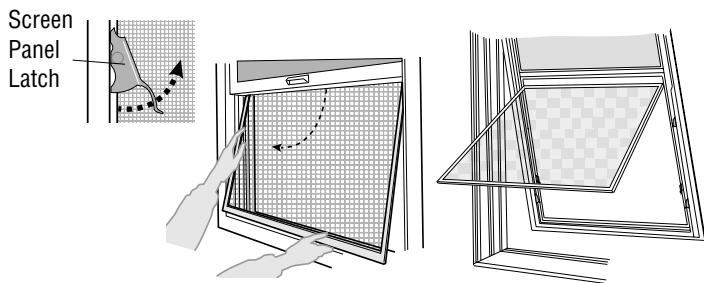
- One Upper Stationary Storm Panel
- One Lower Operating Storm Panel
- One Lower Screen Panel.

## Lower Panel Removal



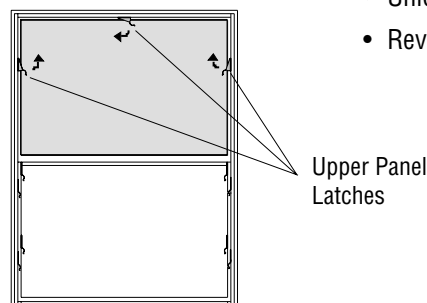
- Push plungers on *Lower Storm Panel* towards center and lift panel high enough to expose *Frame Latches*. (Aprox. 10")
- Pull *Frame Latches* to open position.
- Push bottom of *Combination Frame* outward.
- Push *Plungers* toward center and lift *Lower Storm Panel* until it is free of *Side Channels*.
- Bring *Lower Storm Panel* to inside and slide down and out through the open lower sash of window.
- Reverse removal procedures to reinstall panel.

## Screen Removal



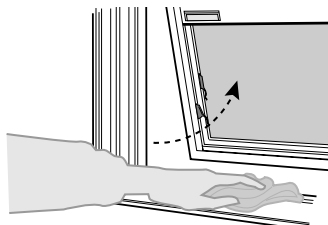
- *Lower Panel* must be removed before removing *Screen*.
- Lift *Screen* upward and swing bottom of *Screen* inward. Pull to inside to remove.
- Reverse procedure to install *Screen* and *Lower Panel*.

## Upper Panel Removal



- Unlock *Latches* of *Upper Storm Panel* and take panel out.
- Reverse procedure to install *Upper Storm Panel*.

## Cleaning Window Sill



- Push plungers on *Lower Storm Panel* towards center and lift panel high enough to expose *Frame Latches*. (Aprox. 10")
- Pull *Frame Latches* to open position.
- Carefully push bottom of combination unit away from *Window Sill*. *Hangers* at head will hold combination unit and allow it to swing out for cleaning the *Window Sill*.