

Sash Replacement

Product Series: A-Series

Product Type: Casement and Awning Stationary Windows

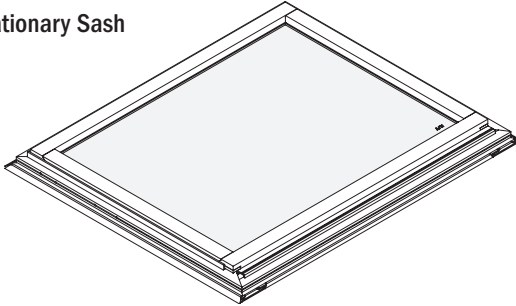
Read these instructions before starting procedure.

For additional information visit www.andersenwindows.com.

For questions call 1-888-888-7020.

Parts Included:

(1) Stationary Sash

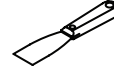


- ▶ For casement stationary windows manufactured before March 15, 2010 and awning/venting transom stationary windows manufactured before February 11, 2014, go to page 3.
- ▶ For casement stationary windows manufactured after March 15, 2010, go to page 6.
- ▶ For awning/venting transom stationary windows manufactured after February 11, 2014, go to page 11.

Tools and Supplies Needed:



Safety Glasses



Thin Blade Putty knife



Drill / Driver



Phillips Screwdriver



Suction Grip



Utility Knife



Flat Blade Screwdriver



Pencil



Duct Tape



3/32" Drill Bit

Handling

WARNING

- Windows and doors can be heavy. Use safe lifting techniques and a reasonable number of people with enough strength to lift, carry, and install window and door products. Heavier windows and doors will require mechanical assistance. Failure to do so could result in injury, product or property damage.
- Windows, doors, and installation components can have sharp edges. Wear protective equipment when handling. Failure to do so could result in injury.

Tools

WARNING

- Follow manufacturers' instructions for hand and power tools. Always wear safety glasses. Failure to do so could result in injury, product or property damage.

Installation

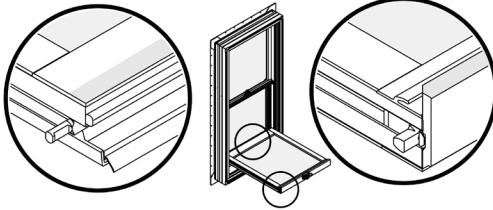
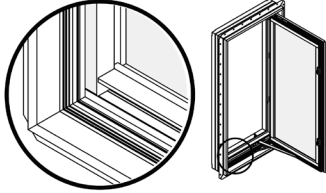
WARNING

- Use caution when working at elevated heights and around window and door openings. Follow the manufacturers' instructions for ladders and scaffolding. Failure to do so could result in injury or death.
- Support window or door in opening at all times until fastened. Failure to do so could result in window or door falling out causing injury, property or product damage.
- Windows and doors have small parts (e.g. hole plugs, operator spline caps, fasteners, etc.). Small parts if swallowed could pose a choking hazard to young children. Dispose of unused, loose, or easily removed small parts. Failure to do so could result in injury.

Finishing

NOTICE

- **DO NOT** stain or paint weatherstrip, vinyl, glass, or hardware. Doing so could result in product damage.
- Read and follow finish manufacturer's instructions and safety information. Failure to do so could result in product damage.
- **DO NOT** over load brush with stain or paint when finishing. Doing so could allow finish to wick between glass stop or grille, and glass.
- Finish unassembled unfinished gliding patio doors and MultiGlide™ patio doors prior to installation. Some surfaces are not accessible after installation. For all other products not mentioned above, finish all wood surfaces immediately after installation. Unfinished wood will deteriorate, discolor, and could bow or split. Some surfaces are hidden from view.



Glass

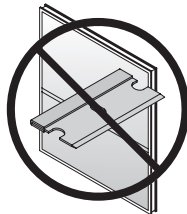
NOTICE

- **DO NOT** apply any type of film to insulating glass. Doing so could cause thermal stress conditions and result in glass damage. Shading devices (e.g. insulated coverings, shutters, etc.) could also cause thermal stress and condensation causing deterioration of windows or doors.

Cleaning

NOTICE

- **DO NOT** use metal razor blades to clean glass surface. Glass damage could result.
- **DO NOT** use or apply solvents, abrasives, harsh chemicals or cleaners to glass, sash, panels, frame, or window or door components. Doing so will result in product damage. For a list of recommended cleaners go to: andersenwindows.com



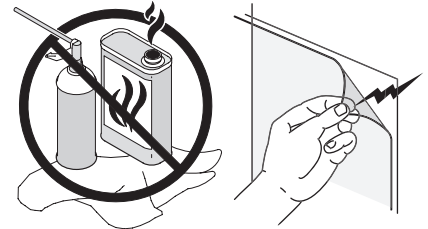
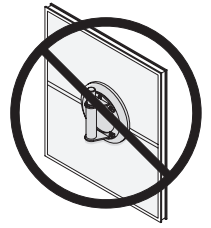
IMPORTANT

- Clean glass using liquid glass cleaner.
- Clean exterior frame, sash, panels, and insect screens using mild detergent and water with a soft cloth or brush.
- For hard to clean areas, use a nonabrasive cleaner.

Protective Film

WARNING

- **DO NOT** place suction grips over film seam. Suction grips will not hold if placed over film seam to lift or move window or door. Window or door will fall and could result in injury, product or property damage.
- **DO NOT** remove protective film near flammable materials. Static charge created when removing film can ignite flammable materials or cause a shock. Doing so could result in injury, product or property damage. See warning label on glass.
- Dispose of protective film immediately after removing. Failure to do so could pose a suffocation hazard to children.

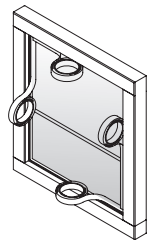


NOTICE

- **DO NOT** remove protective film until after construction is completed. Doing so could allow glass to be damaged.

IMPORTANT

- Protective film is not present on all windows or doors.
- Remove protective film by peeling from seam or corner. Use a plastic scraper to start if needed.
- Remove protective film within six (6) months of installation and when temperature is above 32° F.
- Protective Film is not a substitute for masking.



General Information

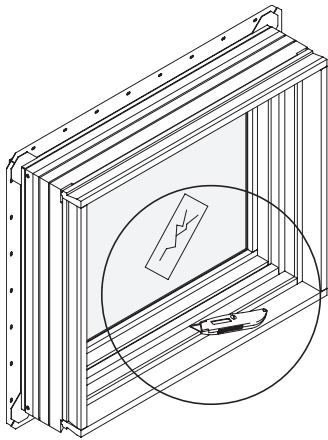
CAUTION

- **DO NOT** attach objects or accessories to window or door except Andersen® products specifically designed for the window or door. Doing so could result in injury, product or property damage.

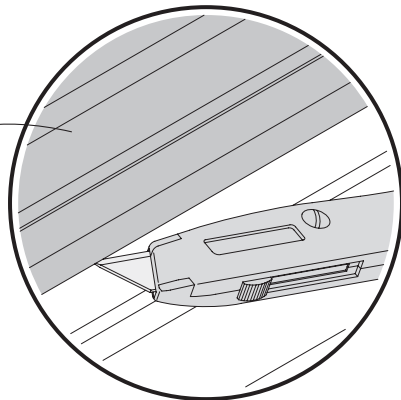
- Contact local authorities or waste management company for proper recycling and disposal instructions for removed window or door.

**Casement Stationary Windows manufactured before March 15, 2010 and
Awning/Venting Transom Stationary Windows manufactured before February 14, 2014**

1

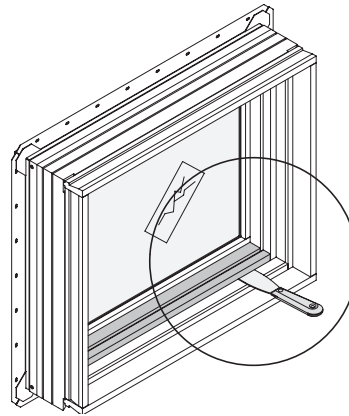


Sash Stop

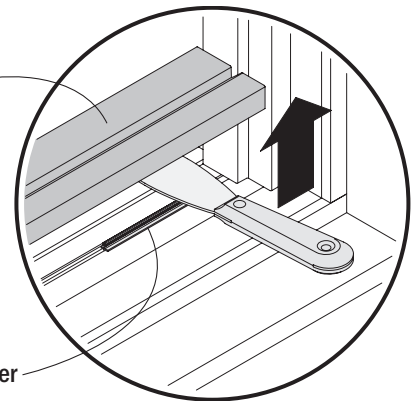


Tape broken glass. Break varnish or paint seal by scoring between sash stops and frame.

2



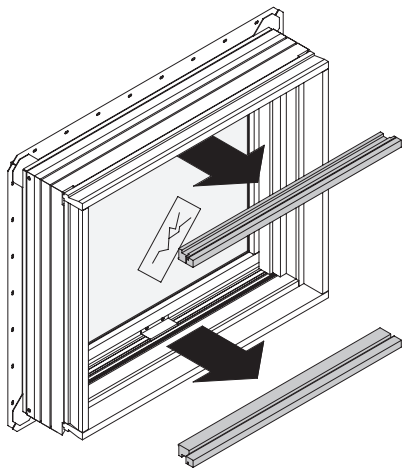
Sill Sash Stop



Press-fit Fastener

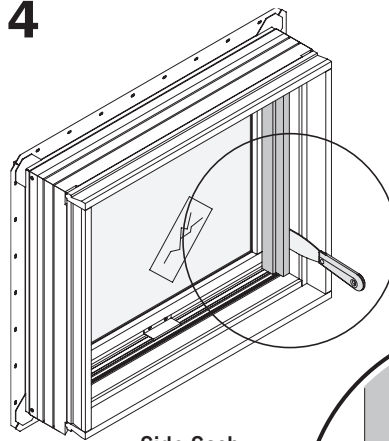
Pry sill and head stops gently from press-fit fasteners on frame.

3

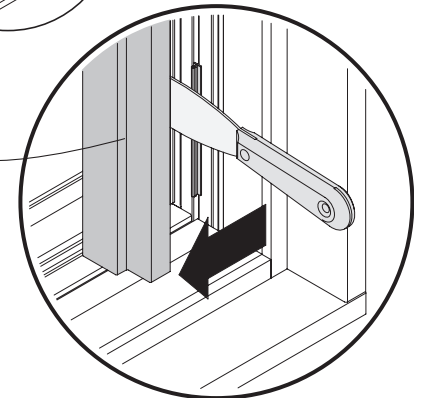


Remove sill and head stops and record location on back side for reapplying.

4

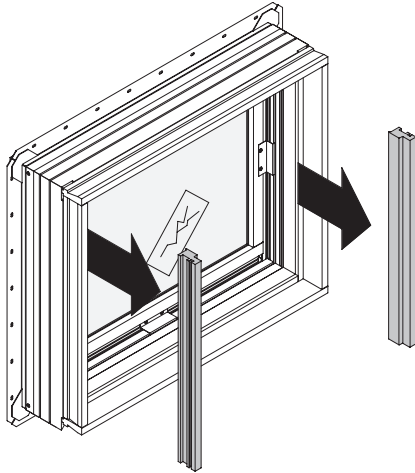


Side Sash Stop



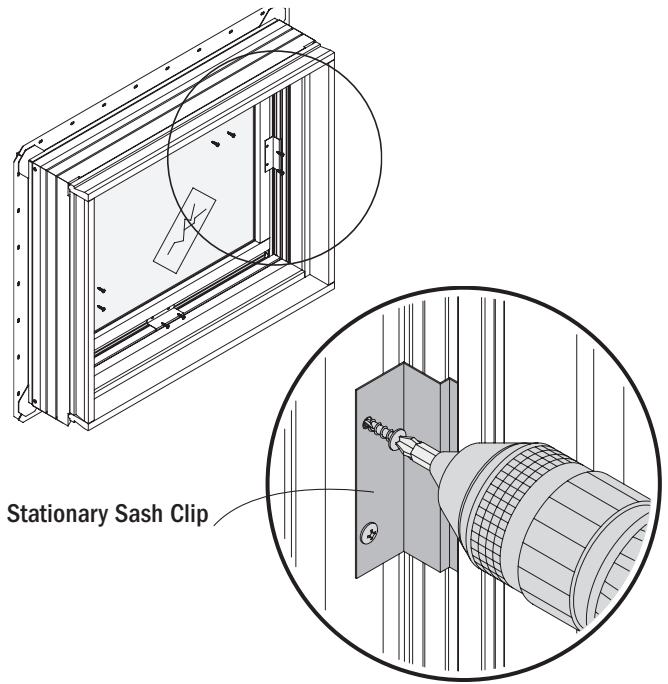
Pry side stops gently from press-fit fasteners on frame.

5



Pull side stops from frame and record location on back side for reapplying.

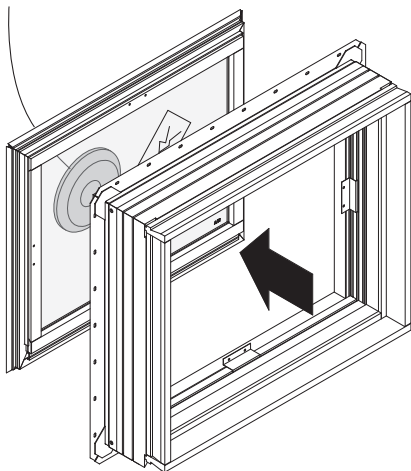
6



Support sash and remove stationary sash clip screws from sash only. **Do not** remove stationary sash clips from frame. Save screws for reuse.

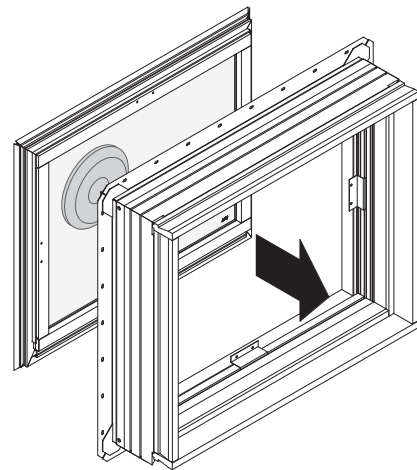
7

Suction Grip
(on exterior side)



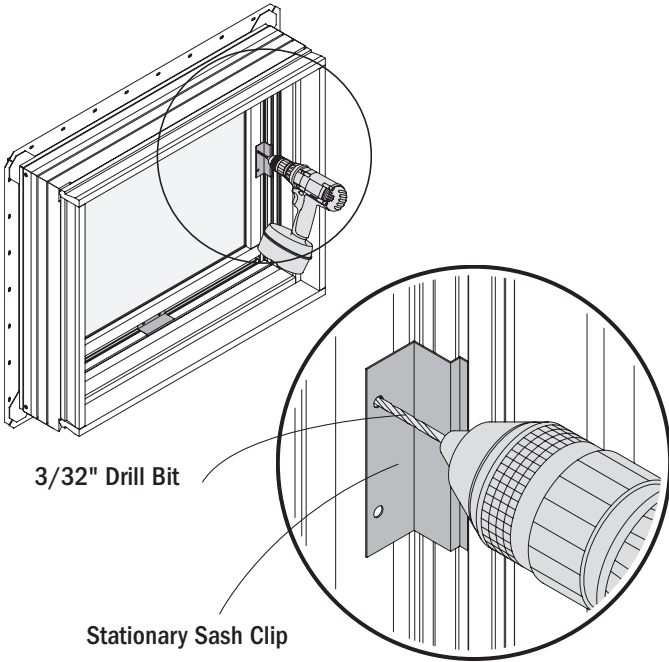
Remove damaged sash from exterior using suction grips. Properly dispose of sash.

8



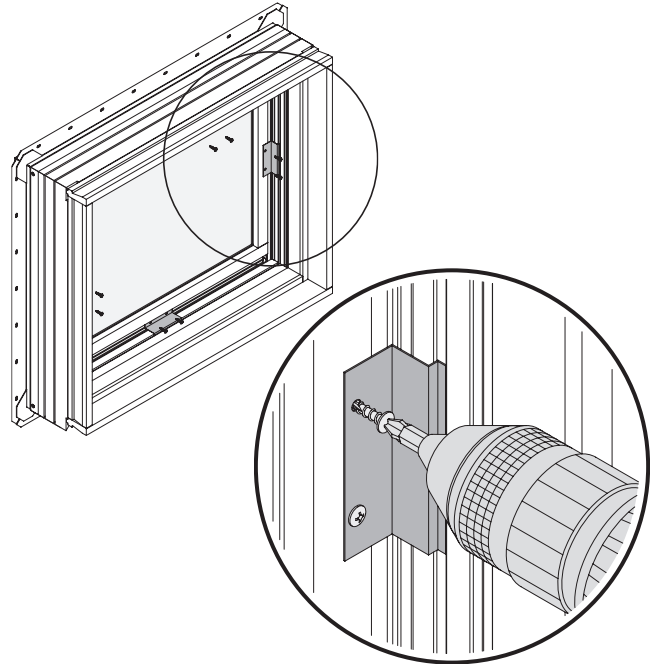
Lift new sash into opening using suction grips. Glass logo must be located in lower right hand corner as viewed from the interior.

9



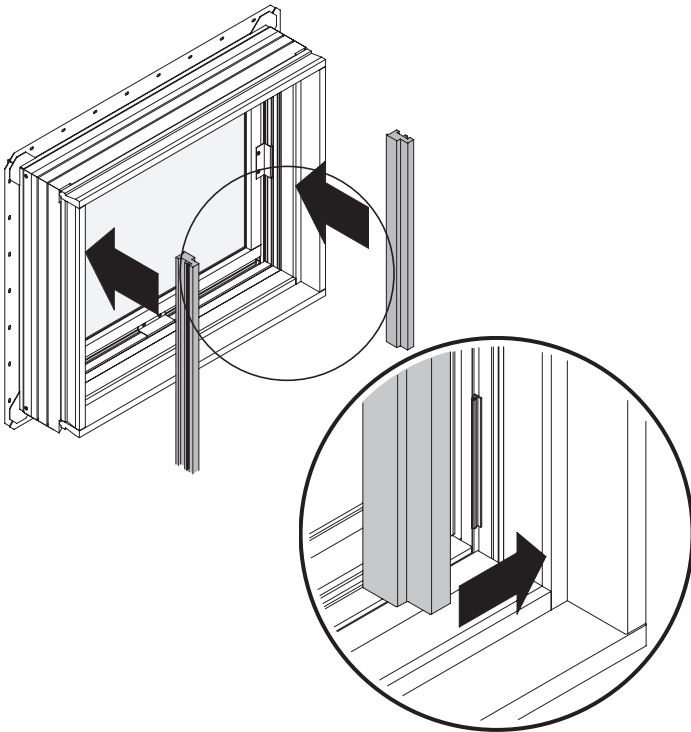
Position and support sash tight against stationary sash clips. Drill holes in sash 3/4" deep at stationary sash clip hole locations.

10



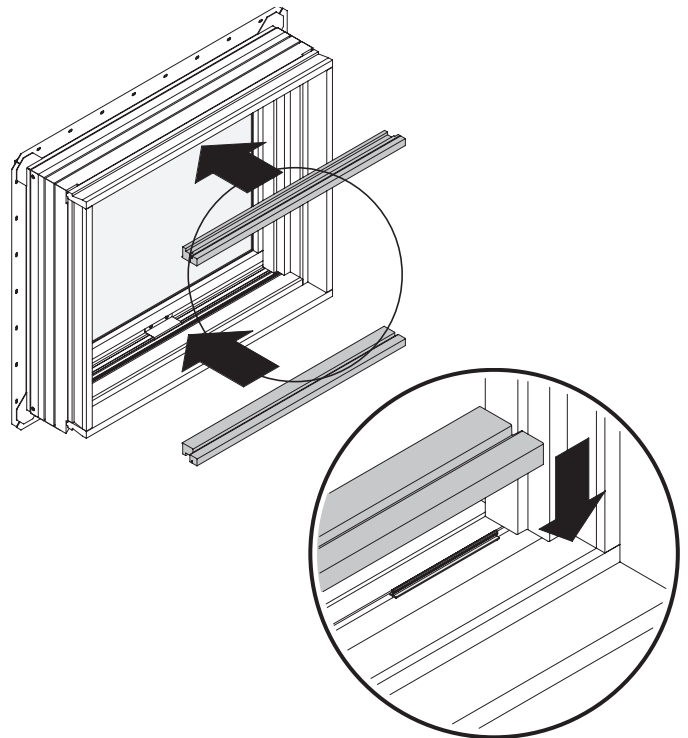
Fasten sash through stationary sash clips, reusing screws.

11



Reapply side sash stops by pressing kerf onto press-fit fastener.

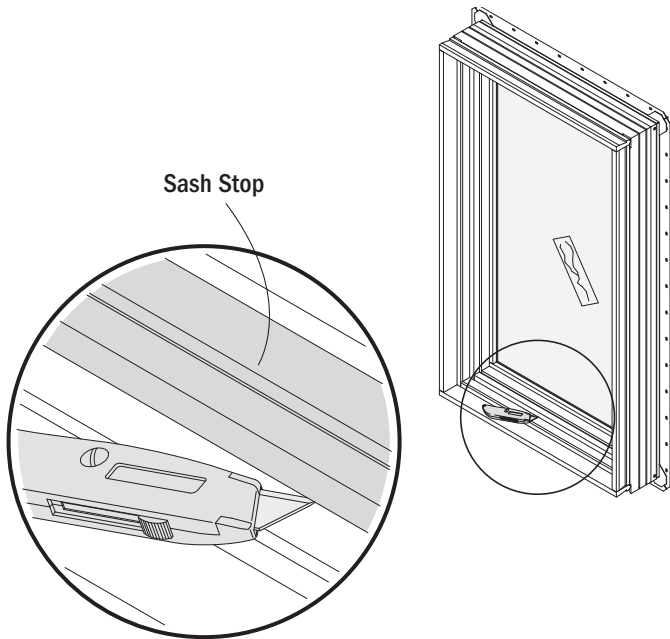
12



Reapply sill and head stops by pressing kerf onto press-fit fastener.

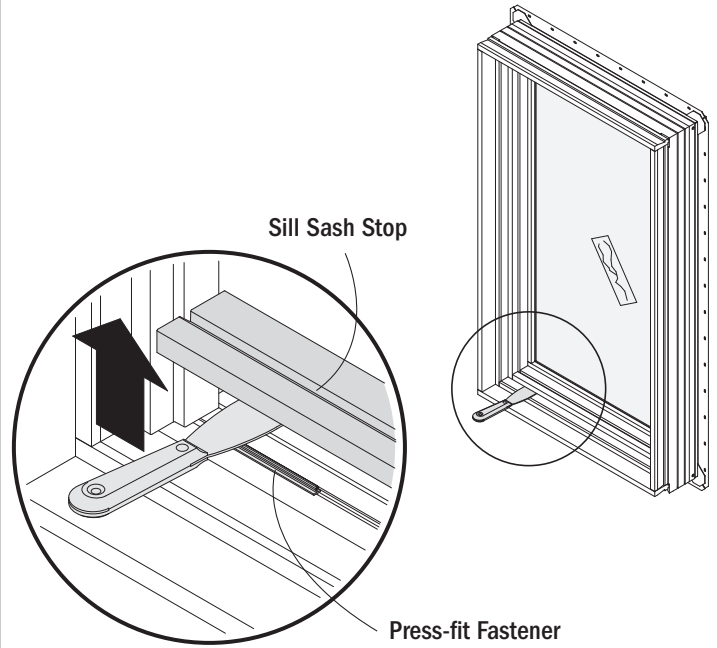
• Procedure is complete.

1



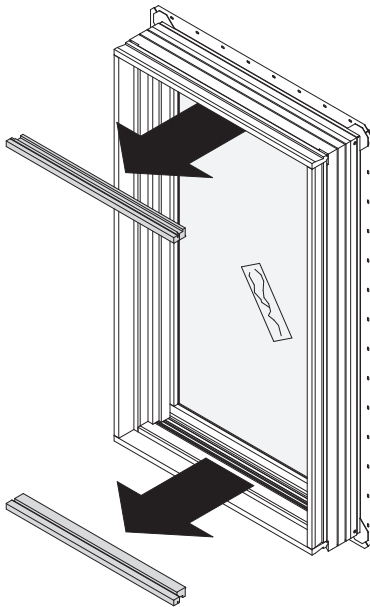
Tape broken glass. Break varnish or paint seal by scoring between sash stops and frame.

2



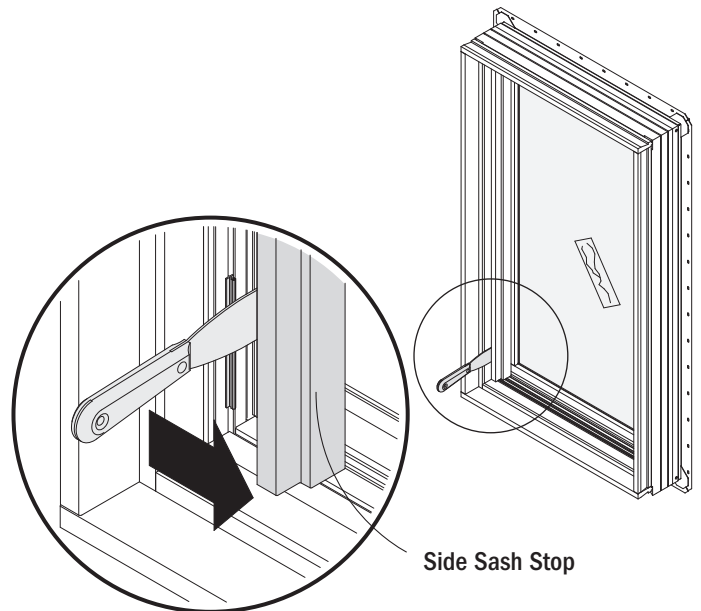
Pry sill and head stops gently from press-fit fasteners on frame.

3



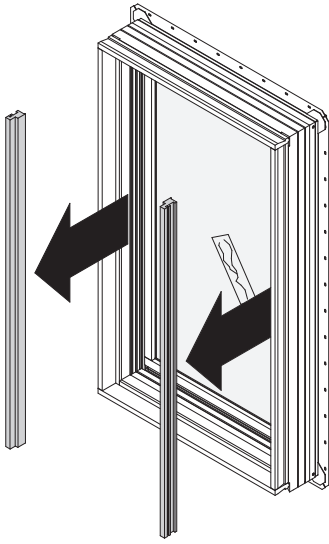
Remove sill and head stops and record location on back side for reapplying.

4



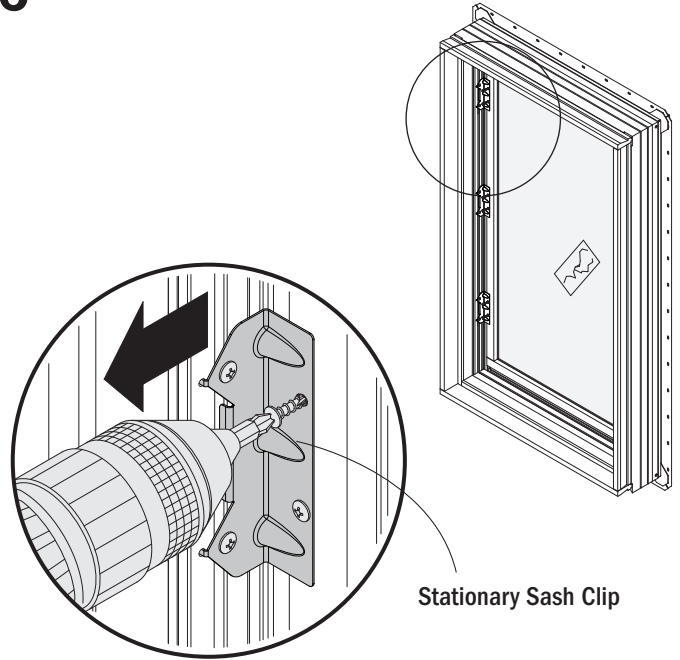
Pry side stops gently from press-fit fasteners on frame.

5



Pull side stops from frame and record location on back side for reapplying.

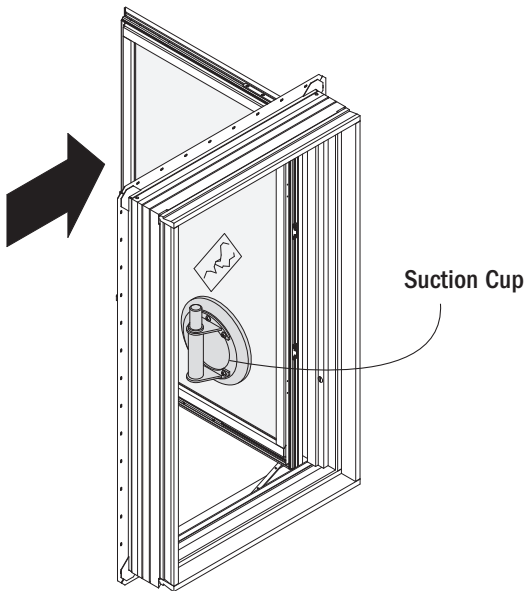
6



Stationary Sash Clip

Support sash and remove stationary sash clip screws from sash only. **Do not** remove stationary sash clips from frame. Save screws for reuse.

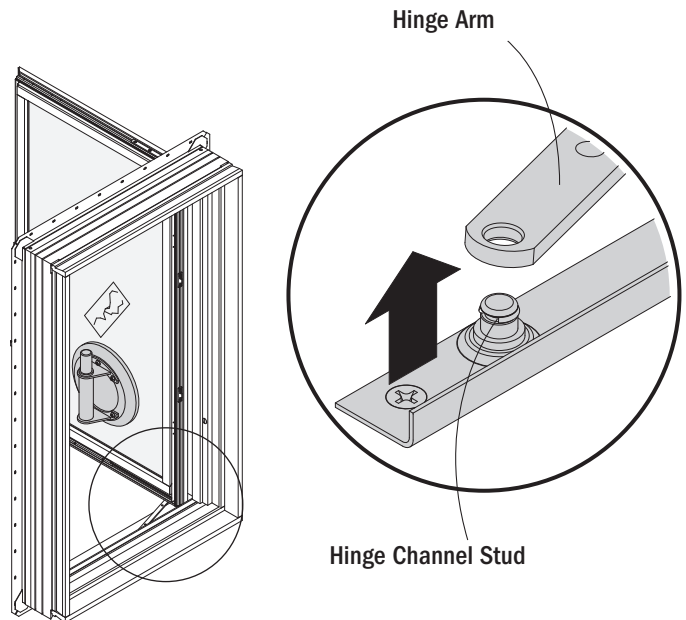
7



Suction Cup

Push sash open using suction grip.

8

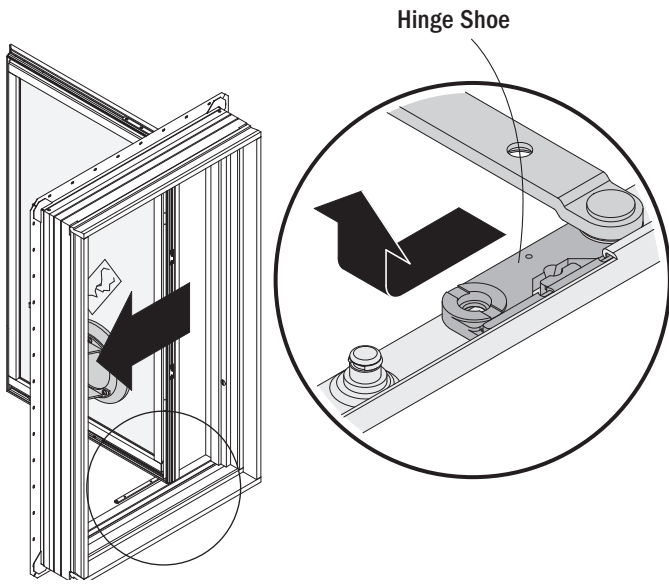


Hinge Arm

Hinge Channel Stud

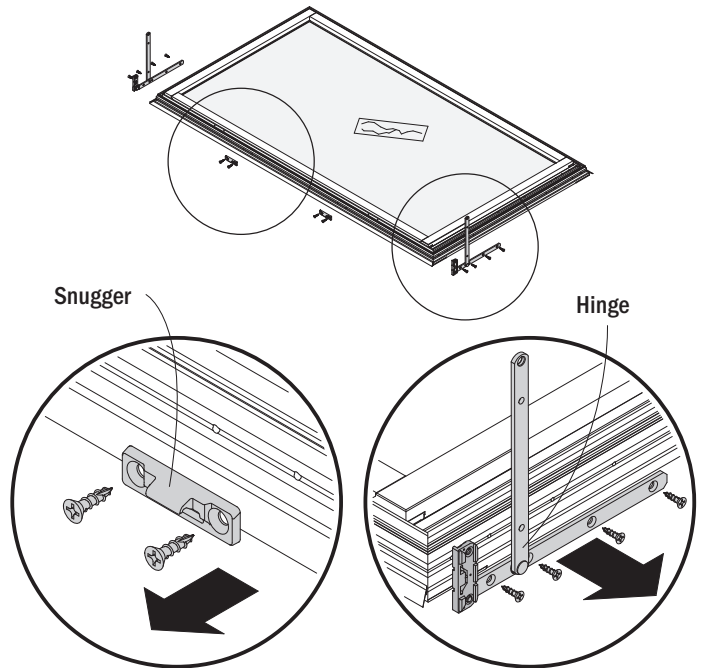
Remove hinge arm from hinge channel stud. Repeat for opposite hinge arm.

9



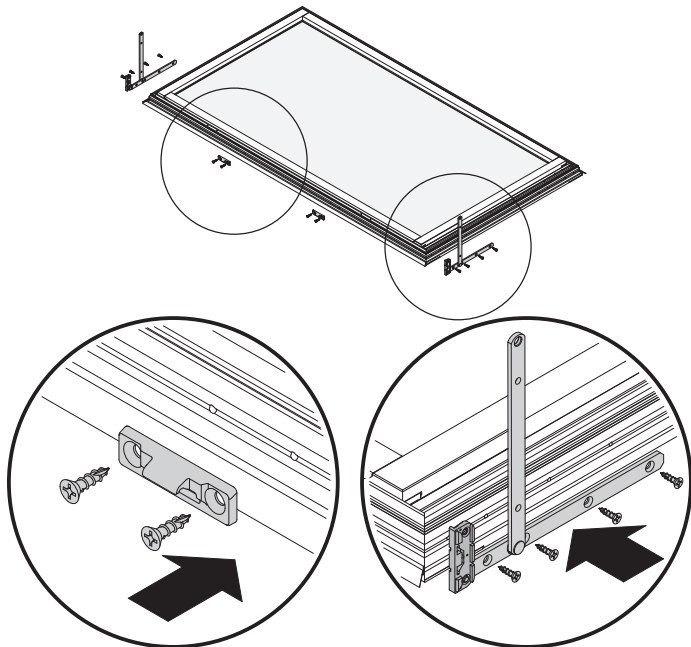
Hold sash firmly and slide top and bottom hinge shoes from ends of hinge channels. Place sash on a flat surface with interior side facing up.

10



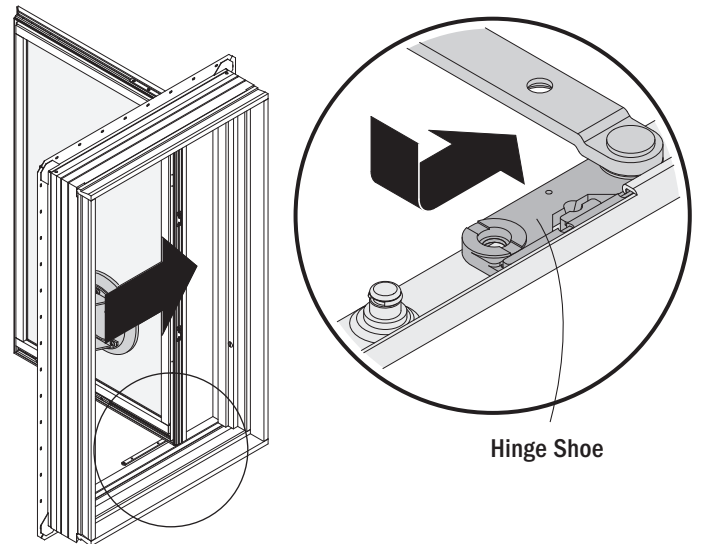
Remove snuggers and hinges from sash and save for reuse. Properly dispose of sash.

11



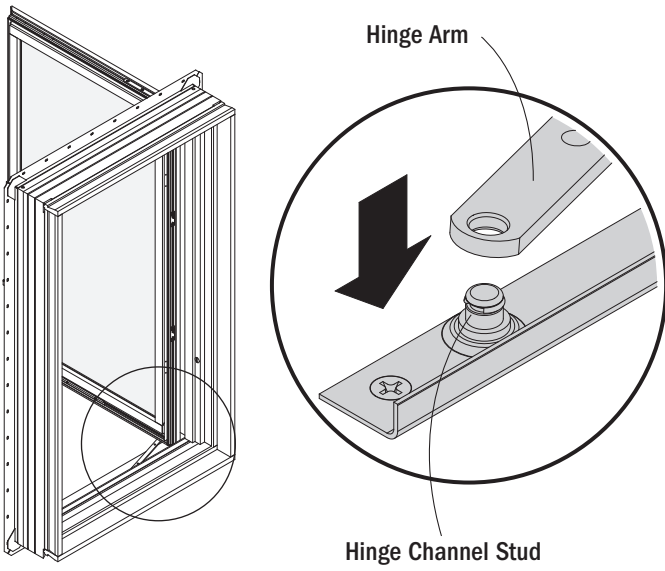
Reapply hinges and snuggers in same position on new sash at predrilled holes.

12



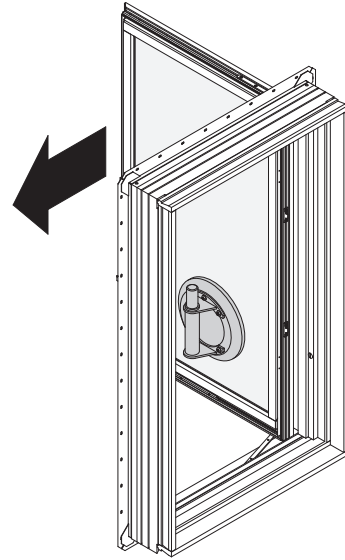
Lift new sash into unit opening. Position top hinge shoe into top hinge channel first, then bottom hinge shoe into bottom hinge channel and slide sash in place.

13



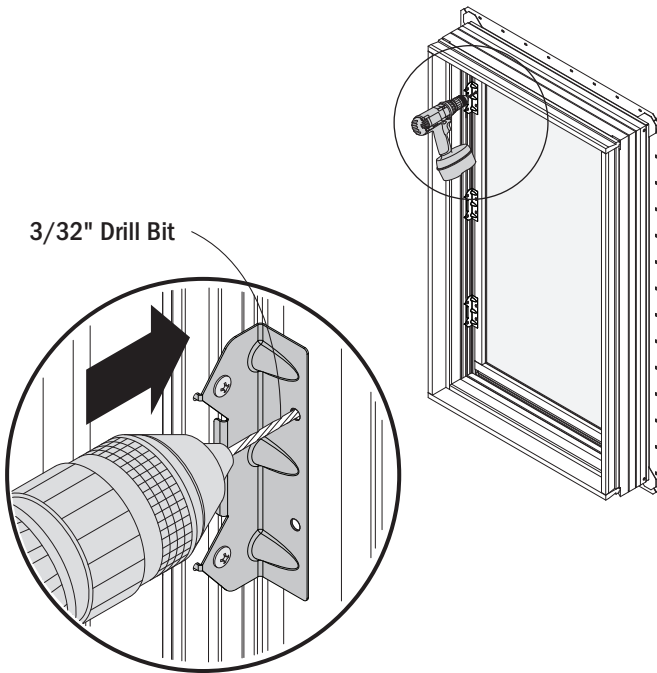
Re-engage hinge arm with hinge channel stud. Repeat for opposite hinge arm.

14



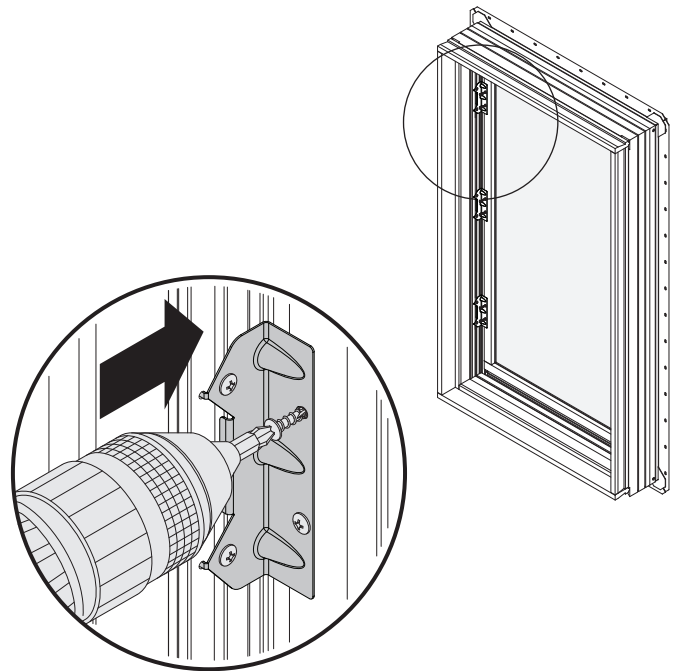
Pull sash closed tight against stationary sash clips.

15



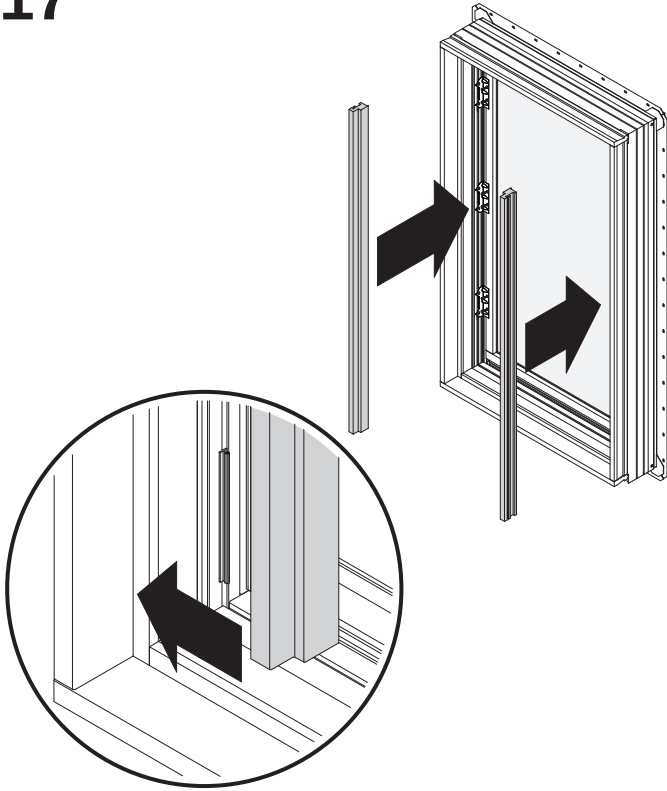
Drill holes in sash 3/4" deep at stationary sash clip hole locations, if no pre-drilled holes exist.

16



Fasten sash through stationary sash clips, reusing screws.

17



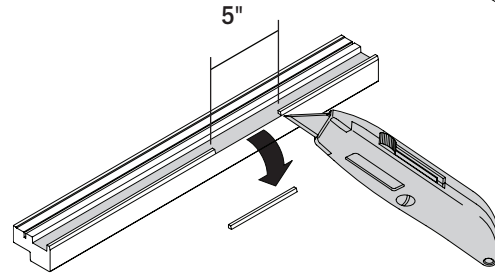
Reapply side sash stops by pressing kerf onto press-fit fastener.

IMPORTANT / IMPORTANTE

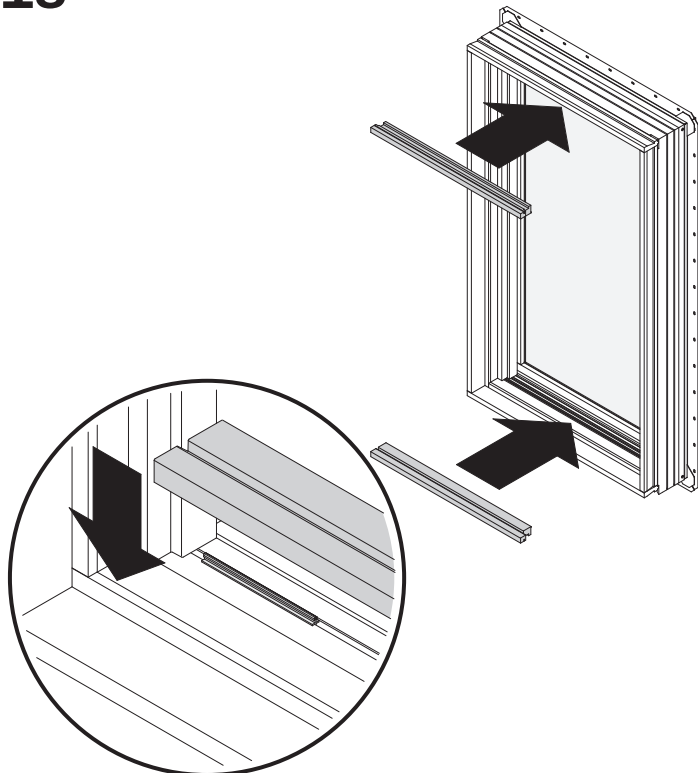
If stationary bracket(s) have been replaced, the back side of sash stops may require modification, as shown.

Stationary Bracket

Cut 5" notch on back of sash stop centered at each bracket location.



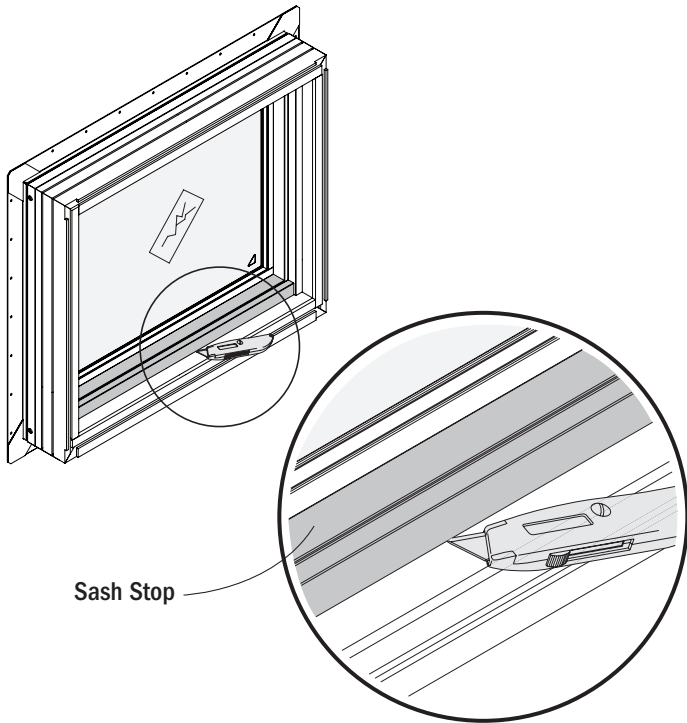
18



Reapply sill and head stops by pressing kerf onto press-fit fastener.

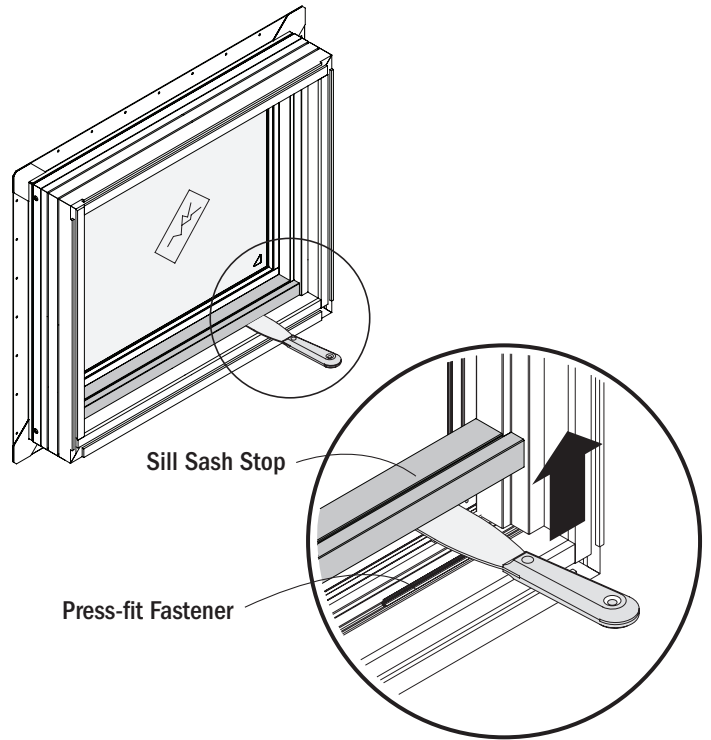
• Procedure is complete.

1



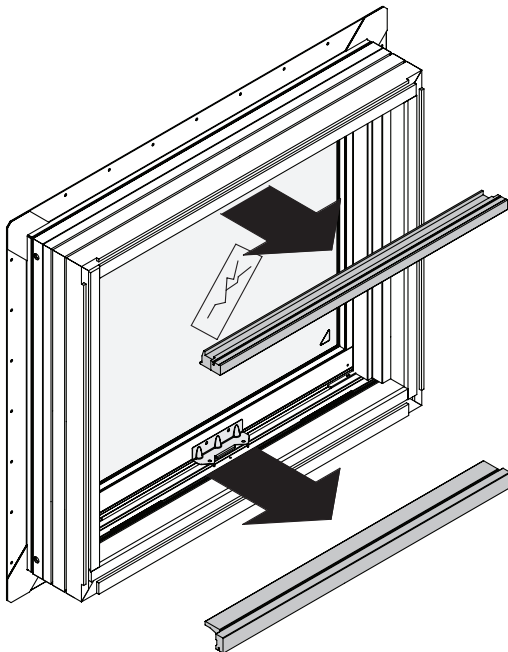
Tape broken glass. Break varnish or paint seal by scoring between sash stops and frame.

2



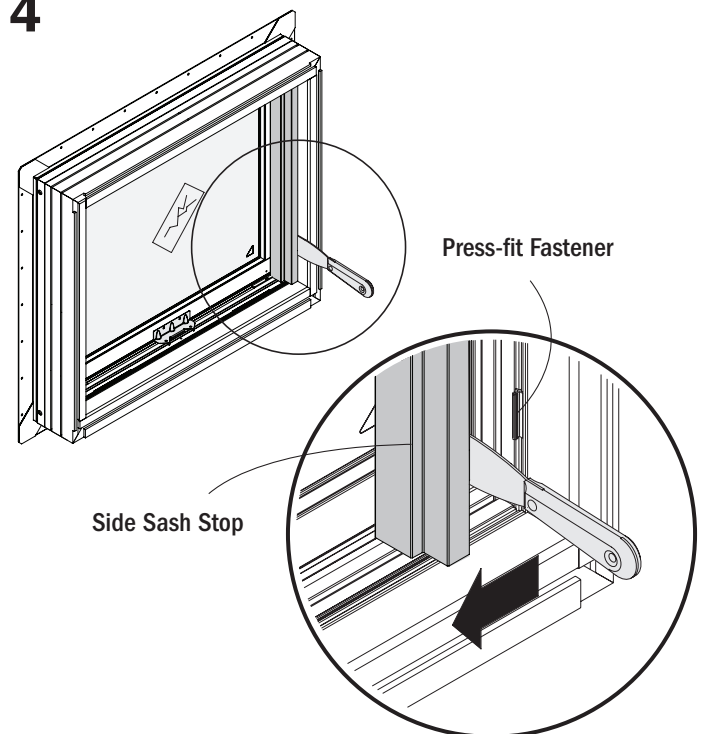
Pry sill and head stops gently from press-fit fasteners on frame.

3



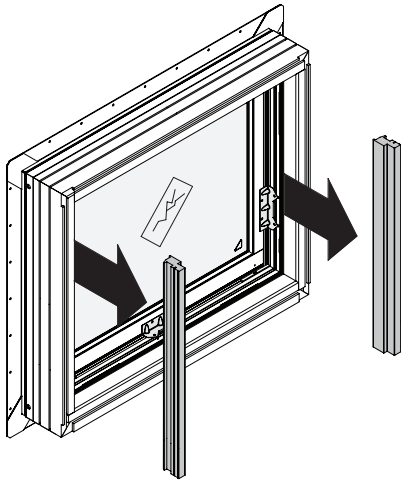
Remove sill and head stops and record location on back side for reapplying.

4



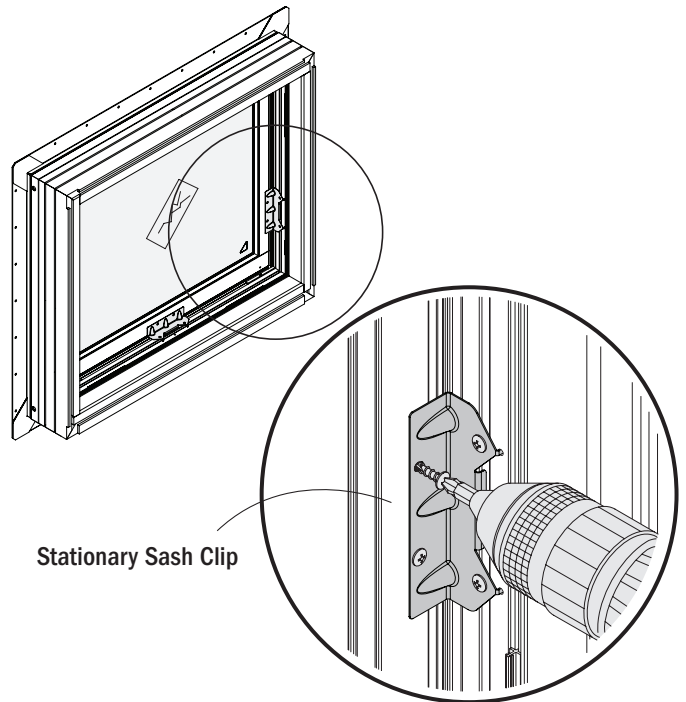
Pry side stops gently from press-fit fasteners on frame.

5



Pull side stops from frame and record location on back side for reapplying.

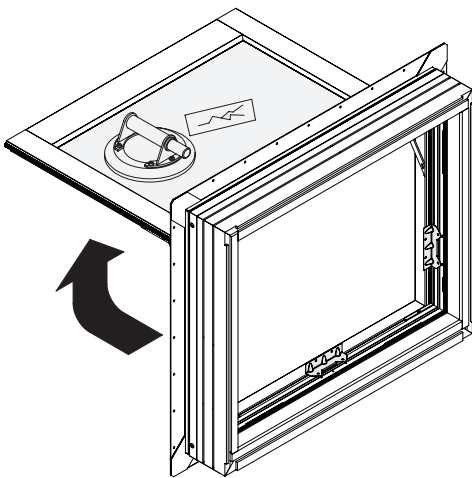
6



Stationary Sash Clip

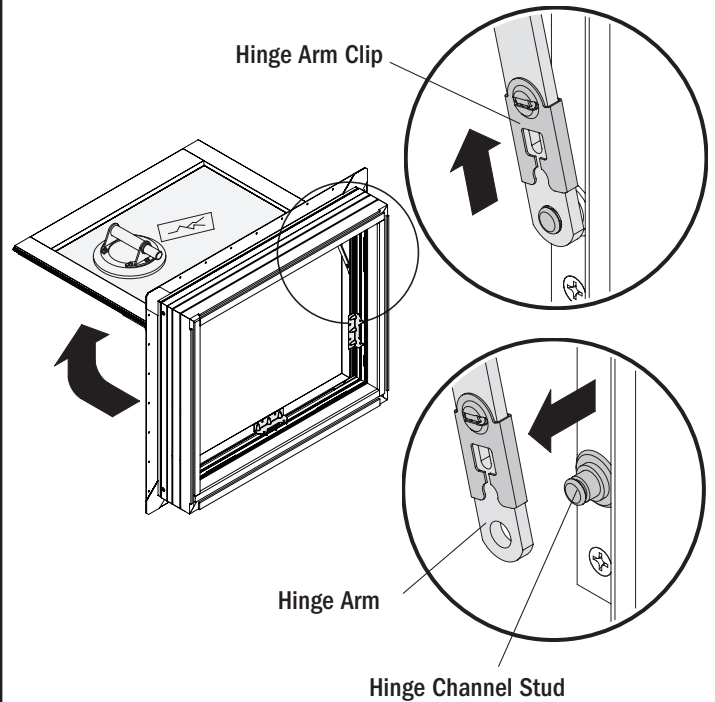
Support sash and remove stationary sash clip screws from sash only. **Do not** remove stationary sash clips from frame. Save screws for reuse.

7



Push sash open.

8

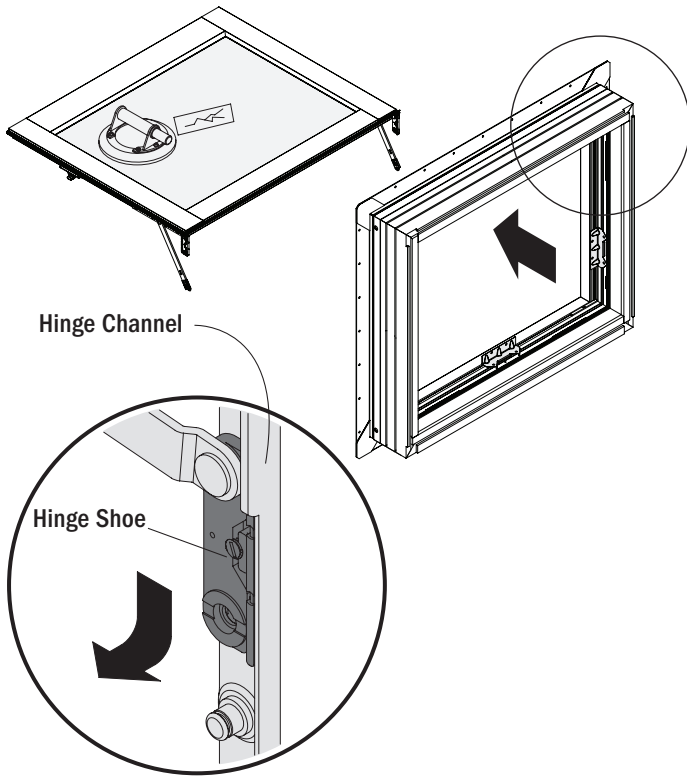


Hinge Arm Clip

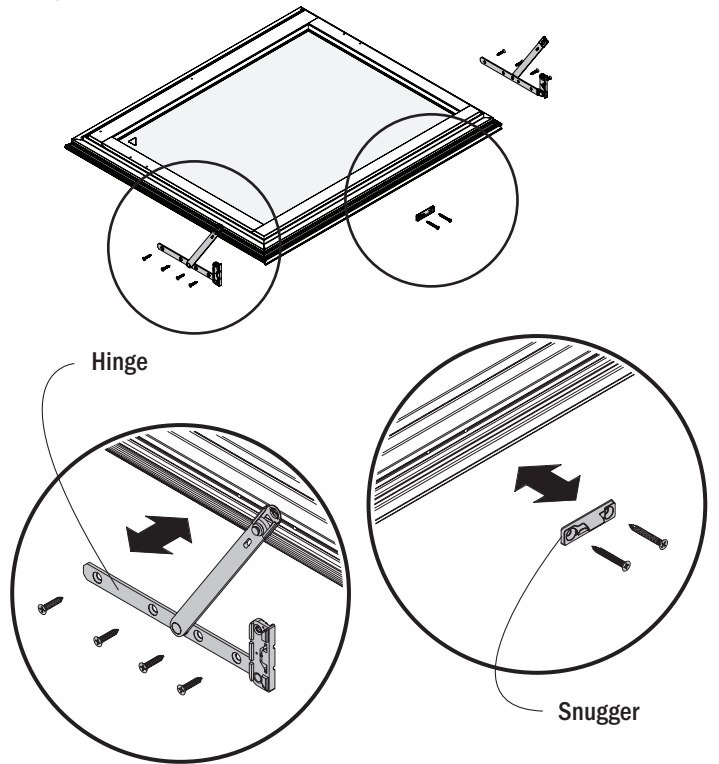
Hinge Arm

Hinge Channel Stud

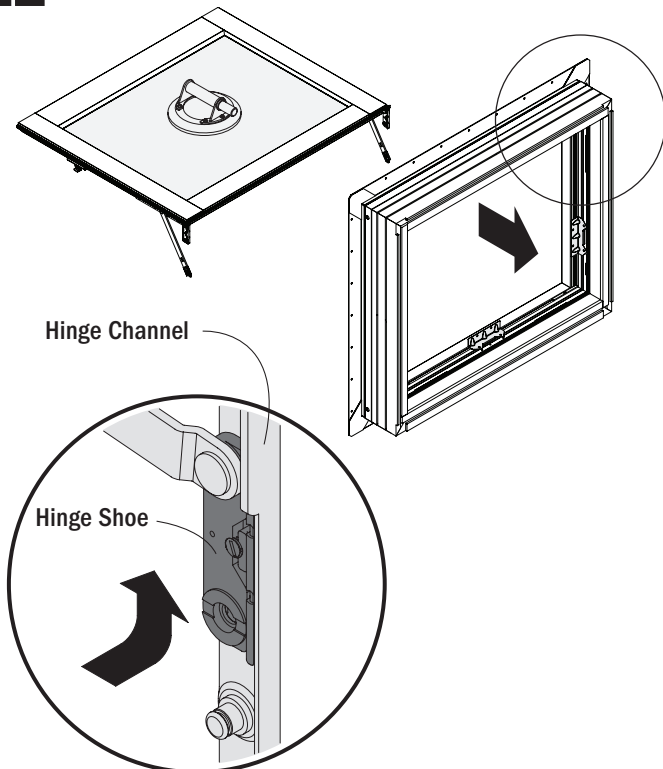
Slide hinge arm clip up and pull hinge arm off hinge channel stud. Repeat for opposite side.

9

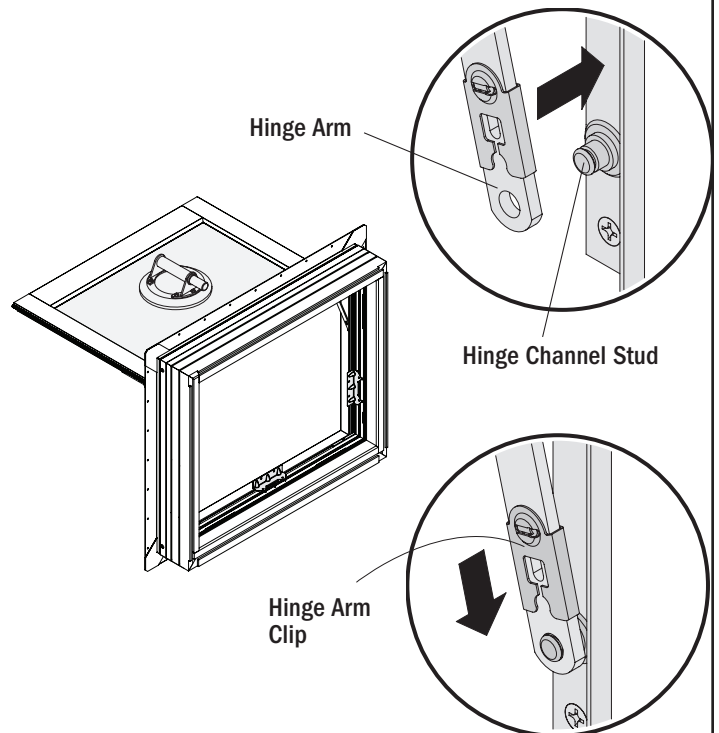
Slide sash down until hinge shoes are free from hinge channels. Place sash on a flat surface, interior side up.

10

Remove hinges and snagger(s), if present, from sash and reapply in same positions on new sash at pre-drilled holes.

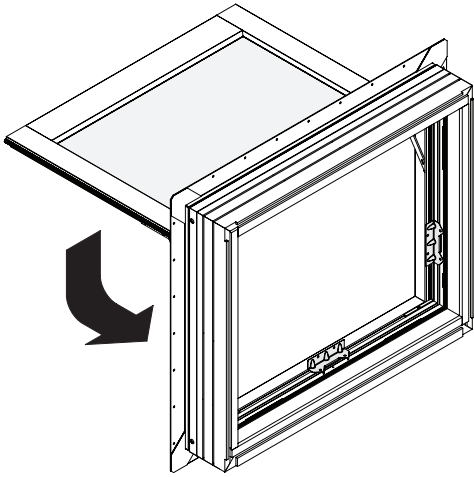
11

Lift new sash into frame opening and slide hinge shoes up into hinge channels.

12

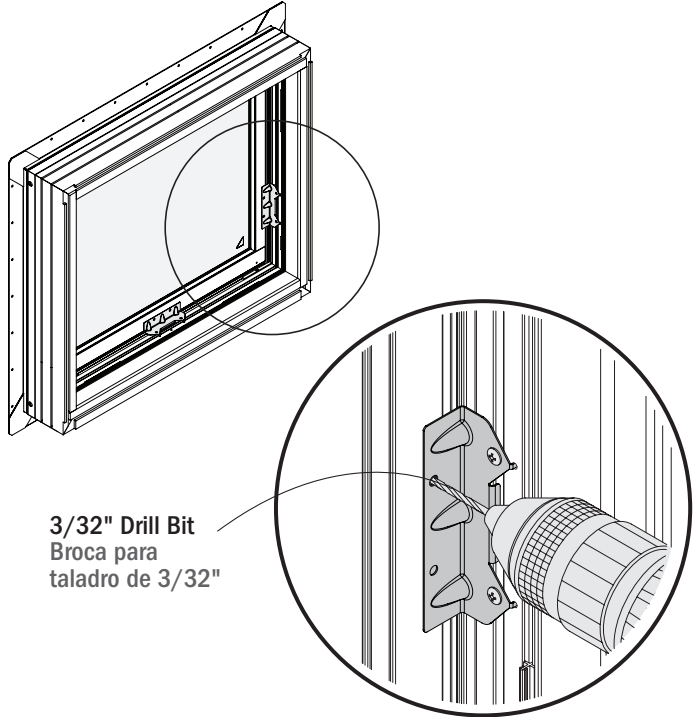
Re-engage hinge arm with hinge channel stud and slide hinge arm clip over stud. Repeat for opposite side.

13



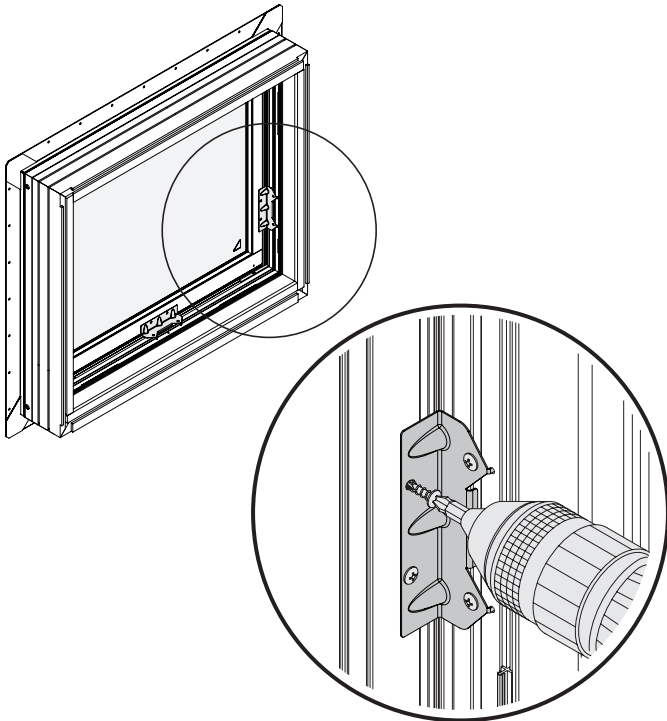
Pull sash closed, tight against clips.

14



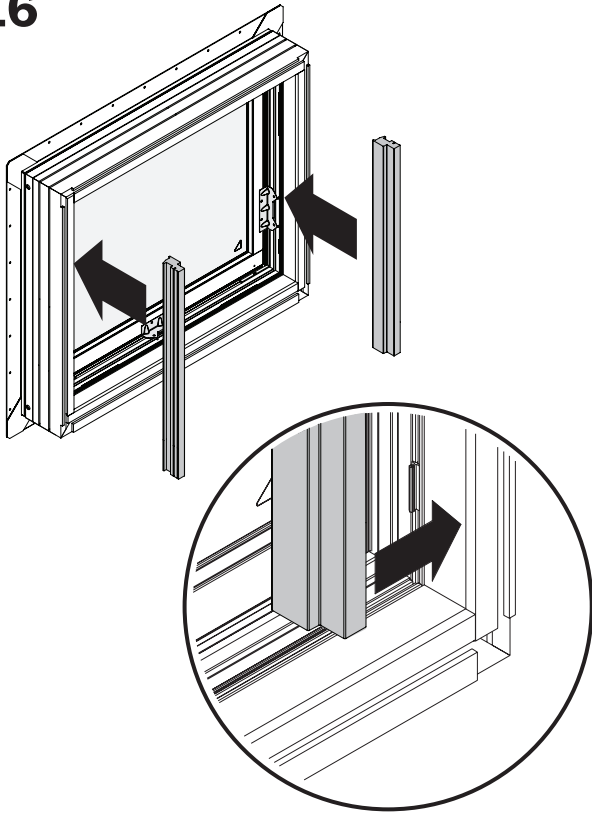
Drill holes in sash 3/4" deep at stationary sash clip hole locations, if no pre-drilled holes exist.

15



Fasten sash through stationary sash clips, reusing screws.

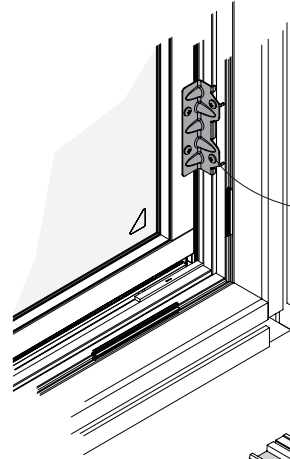
16



Reapply side sash stops by pressing kerf onto press-fit fastener.

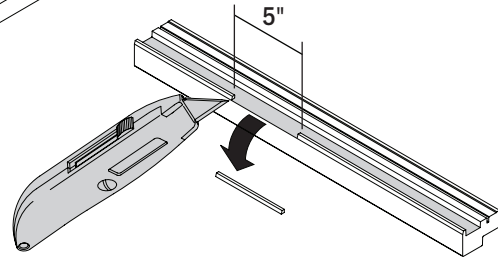
IMPORTANT / IMPORTANTE

If stationary bracket(s) have been replaced, the back side of sash stops may require modification, as shown.

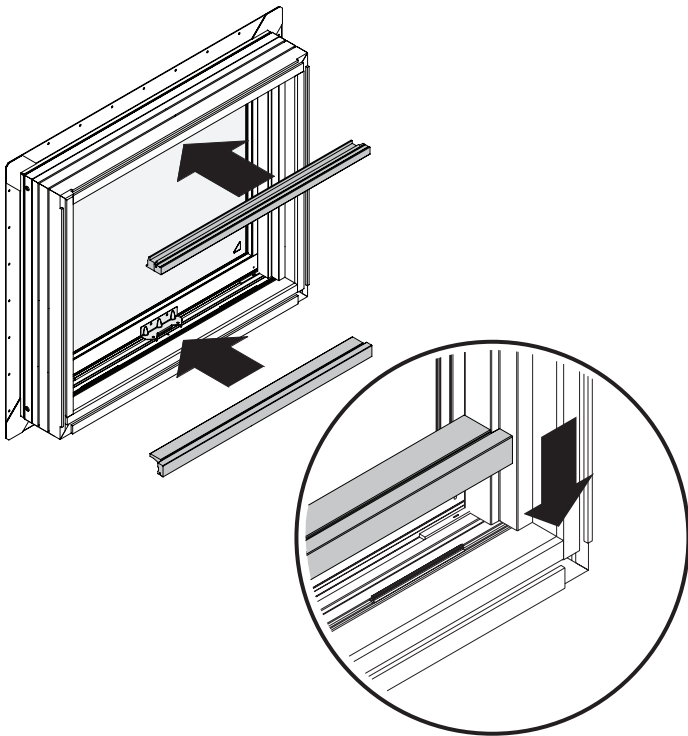


Stationary Bracket

Cut 5" notch on back of sash stop centered at each bracket location.



17



Reapply sill and head stops by pressing kerf onto press-fit fastener.

• Procedure is complete.