

Passive Panel Replacement

Product Series: 200 Series

Product Type: Hinged Inswing Patio Doors

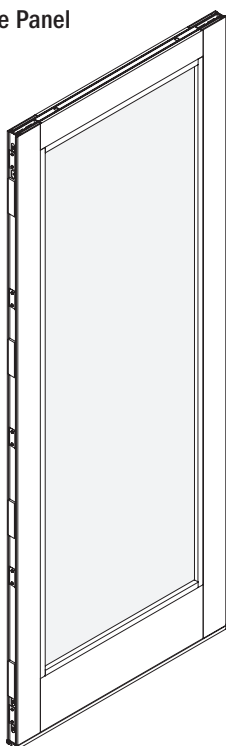
Read these instructions before starting procedure.

For additional information visit www.andersenwindows.com.

For questions call 1-888-888-7020.

Parts Included:

(1) Passive Panel



Tools and Supplies Needed:



Safety
Glasses



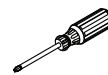
5/32" Hex Key



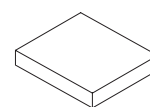
1/8" Hex Key



Flat Blade
Screwdriver



Phillips
Screwdriver



Wood Blocks

Handling

WARNING

- Windows and doors can be heavy. Use safe lifting techniques and a reasonable number of people with enough strength to lift, carry, and install window and door products. Heavier windows and doors will require mechanical assistance. Failure to do so could result in injury, product or property damage.
- Windows, doors, and installation components can have sharp edges. Wear protective equipment when handling. Failure to do so could result in injury.

Tools

WARNING

- Follow manufacturers' instructions for hand and power tools. Always wear safety glasses. Failure to do so could result in injury, product or property damage.

Installation

WARNING

- Use caution when working at elevated heights and around window and door openings. Follow the manufacturers' instructions for ladders and scaffolding. Failure to do so could result in injury or death.
- Support window or door in opening at all times until fastened. Failure to do so could result in window or door falling out causing injury, property or product damage.
- Windows and doors have small parts (e.g. hole plugs, operator spline caps, fasteners, etc.). Small parts if swallowed could pose a choking hazard to young children. Dispose of unused, loose, or easily removed small parts. Failure to do so could result in injury.

Finishing

NOTICE

- **DO NOT** stain or paint weatherstrip, vinyl, glass, or hardware. Doing so could result in product damage.
- Read and follow finish manufacturer's instructions and safety information. Failure to do so could result in product damage.
- **DO NOT** over load brush with stain or paint when finishing. Doing so could allow finish to wick between glass stop or grille, and glass.
- Finish unassembled unfinished gliding patio doors prior to installation. Some surfaces are not accessible after installation. Unfinished wood will deteriorate, discolor, and could bow or split. Some surfaces are hidden from view.

Glass

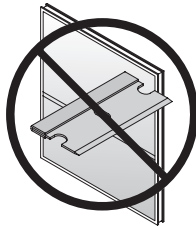
NOTICE

- **DO NOT** apply any type of film to insulating glass. Doing so could cause thermal stress conditions and result in glass damage. Shading devices (e.g. insulated coverings, shutters, etc.) could also cause thermal stress and condensation causing deterioration of windows or doors.

Cleaning

NOTICE

- **DO NOT** use metal razor blades to clean glass surface. Glass damage could result.
- **DO NOT** use or apply solvents, abrasives, harsh chemicals or cleaners to glass, sash, panels, frame, or window or door components. Doing so will result in product damage. For a list of recommended cleaners go to: andersenwindows.com



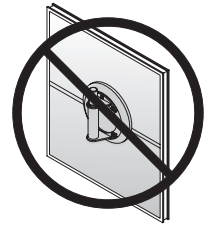
IMPORTANT

- Clean glass using liquid glass cleaner.
- Clean exterior frame, sash, panels, and insect screens using mild detergent and water with a soft cloth or brush.
- For hard to clean areas, use a nonabrasive cleaner.

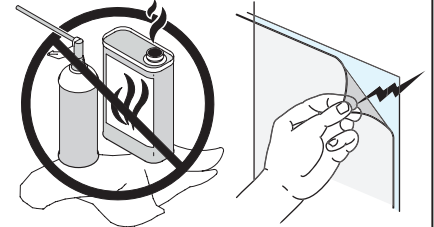
Protective Film

WARNING

- **DO NOT** place suction grips over film seam. Suction grips will not hold if placed over film seam to lift or move window or door. Window or door will fall and could result in injury, product or property damage.



- **DO NOT** remove protective film near flammable materials. Static charge created when removing film can ignite flammable materials or cause a shock. Doing so could result in injury, product or property damage. **See warning label on glass.**



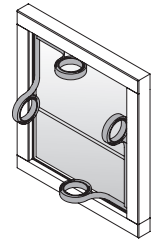
- Dispose of protective film immediately after removing. Failure to do so could pose a suffocation hazard to children.

NOTICE

- **DO NOT** remove protective film until after construction is completed. Doing so could allow glass to be damaged.

IMPORTANT

- Protective film is not present on all windows or doors.
- Remove protective film by peeling from seam or corner. Use a plastic scraper to start if needed.
- Remove protective film within six (6) months of installation and when temperature is above 32° F.
- Protective Film is not a substitute for masking.



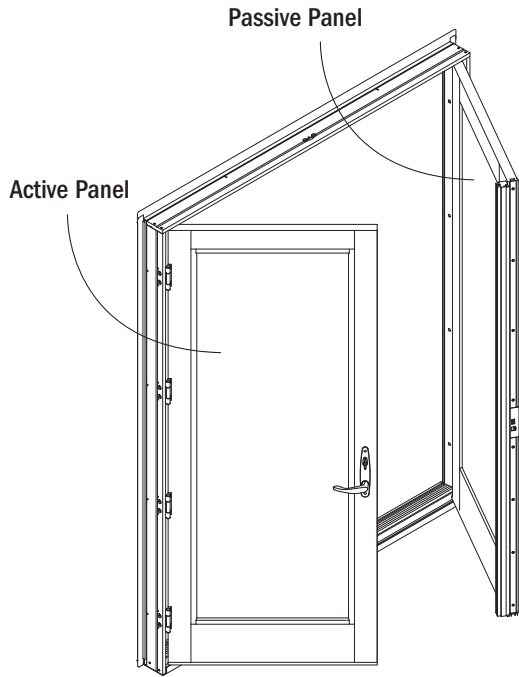
General Information

CAUTION

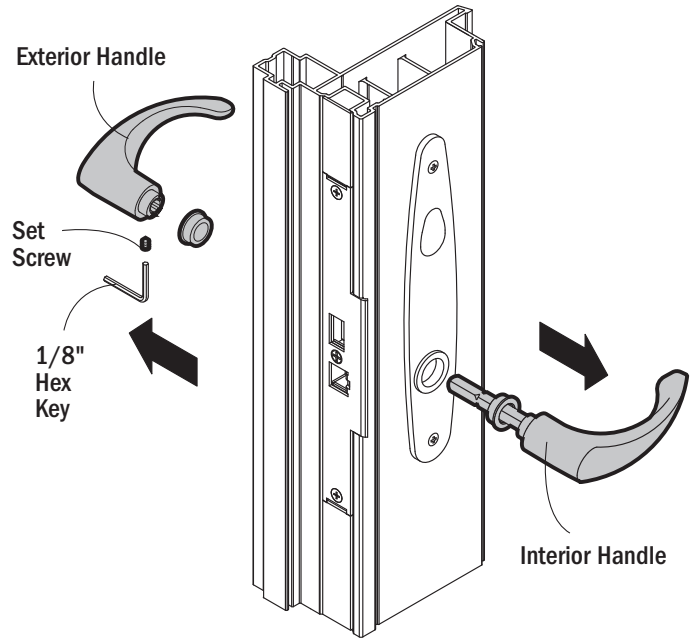
- **DO NOT** attach objects or accessories to window or door except Andersen® products specifically designed for the window or door. Doing so could result in injury, product or property damage.

IMPORTANT

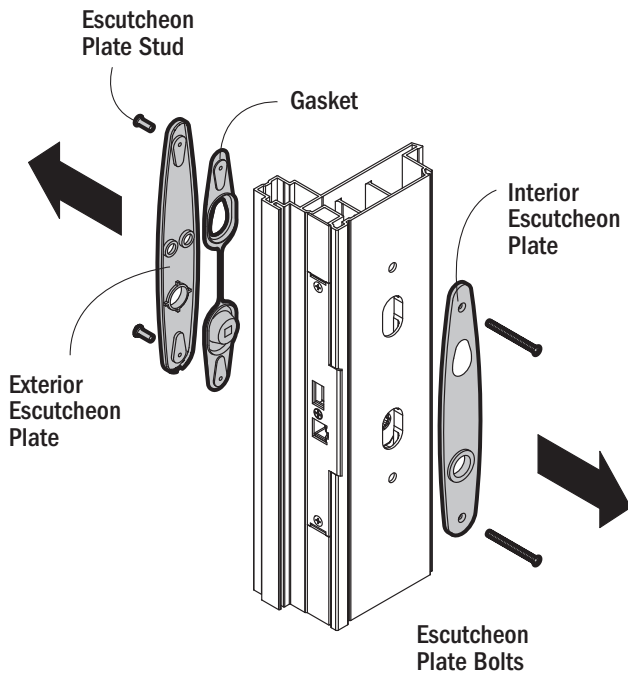
- Contact local authorities or waste management company for proper recycling and disposal instructions for removed window or door.

1

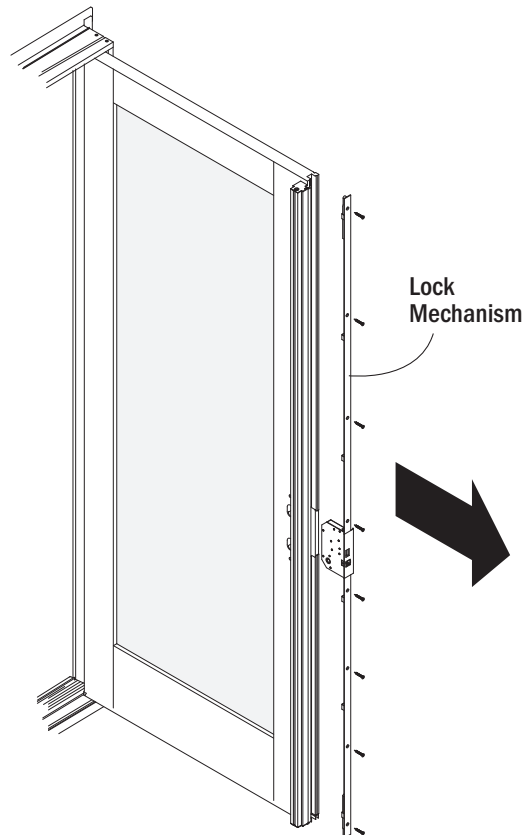
Identify passive panel and open.

2

Loosen set screw on underside of exterior handle and remove handles. Support both handles when loosening set screw. Keep all hardware and fasteners for reinstallation.

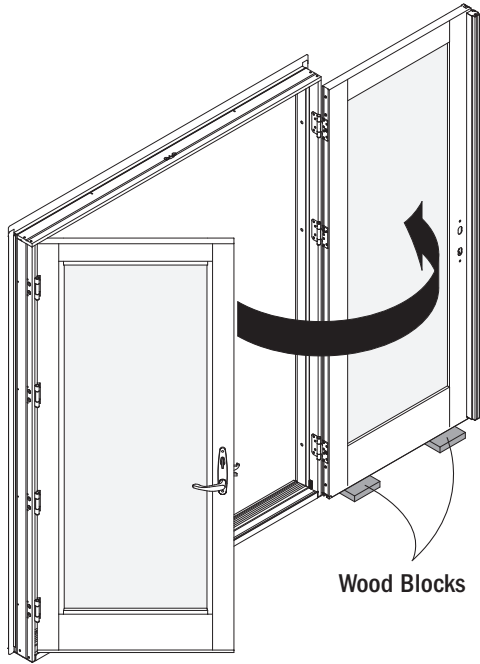
3

Remove escutcheon plate bolts, interior and exterior escutcheon plates and gasket. Support escutcheon plates when loosening bolts. Keep these parts for reinstallation.

4

Remove screws from lock mechanism and pull out of panel. Keep these parts for reinstallation.

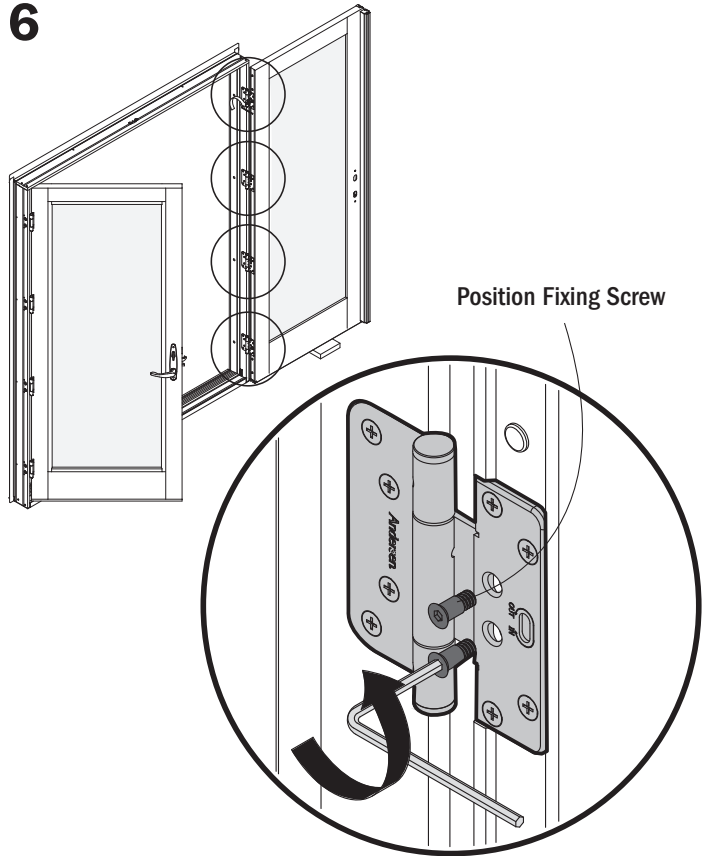
5



Wood Blocks

Open and block passive panel in full open position.

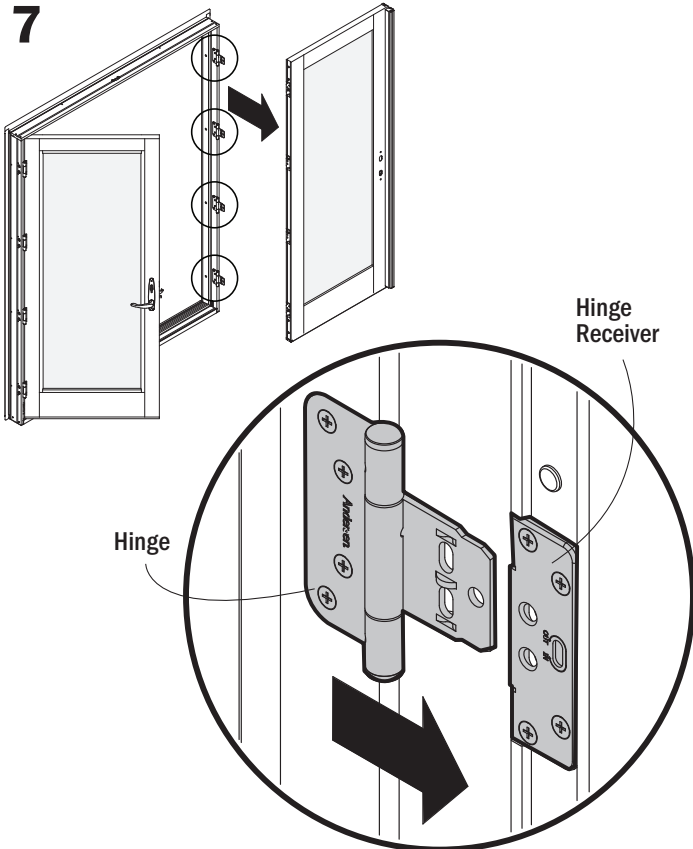
6



Position Fixing Screw

Remove position fixing screws from all hinge receivers on panel using a 5/32" hex key. Keep all hardware and fasteners for reinstallation.

7

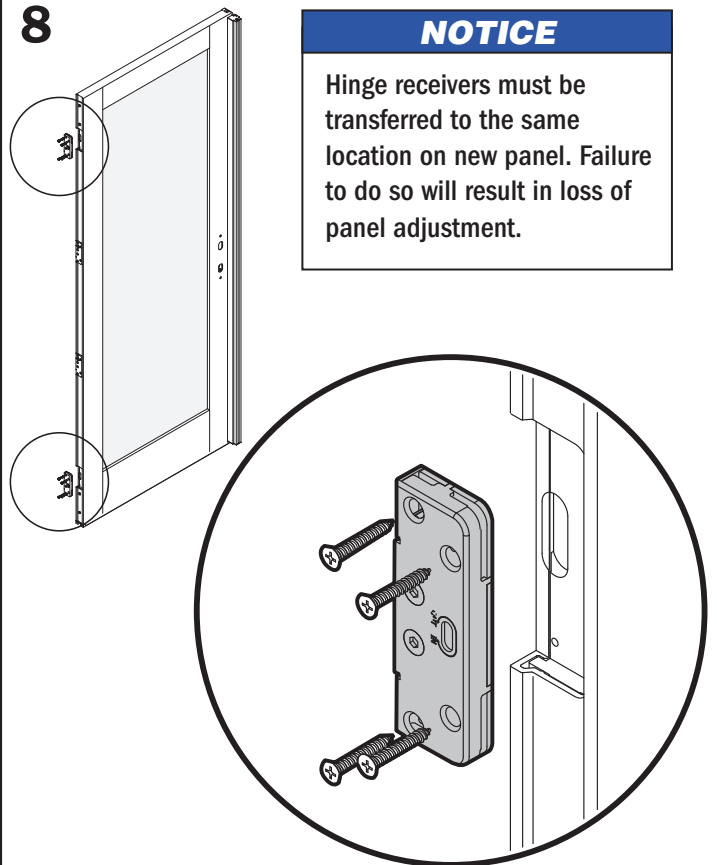


Hinge Receiver

Hinge

Remove passive panel by pulling hinge receivers straight out from hinges.

8

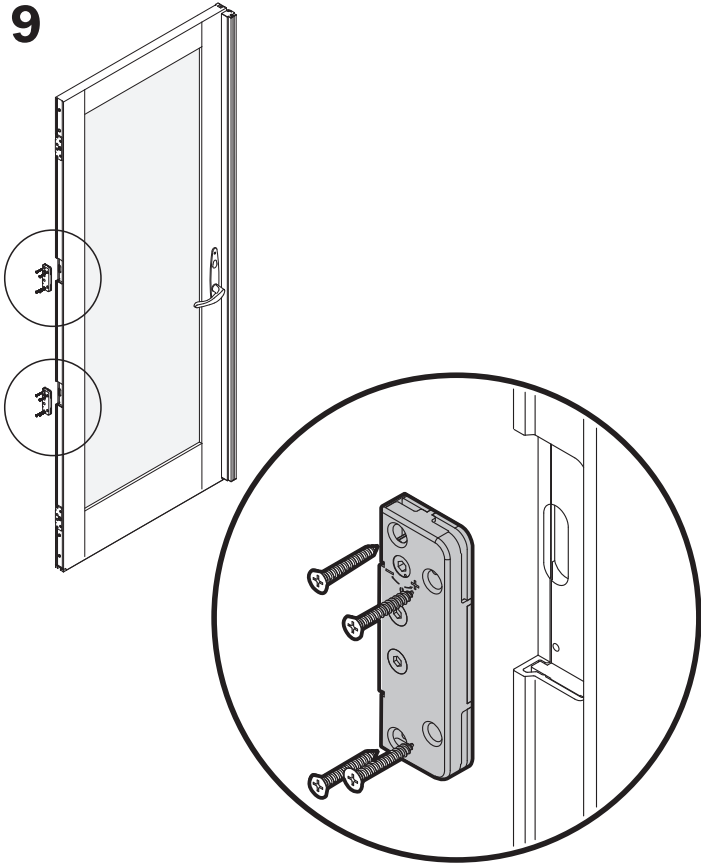


NOTICE

Hinge receivers must be transferred to the same location on new panel. Failure to do so will result in loss of panel adjustment.

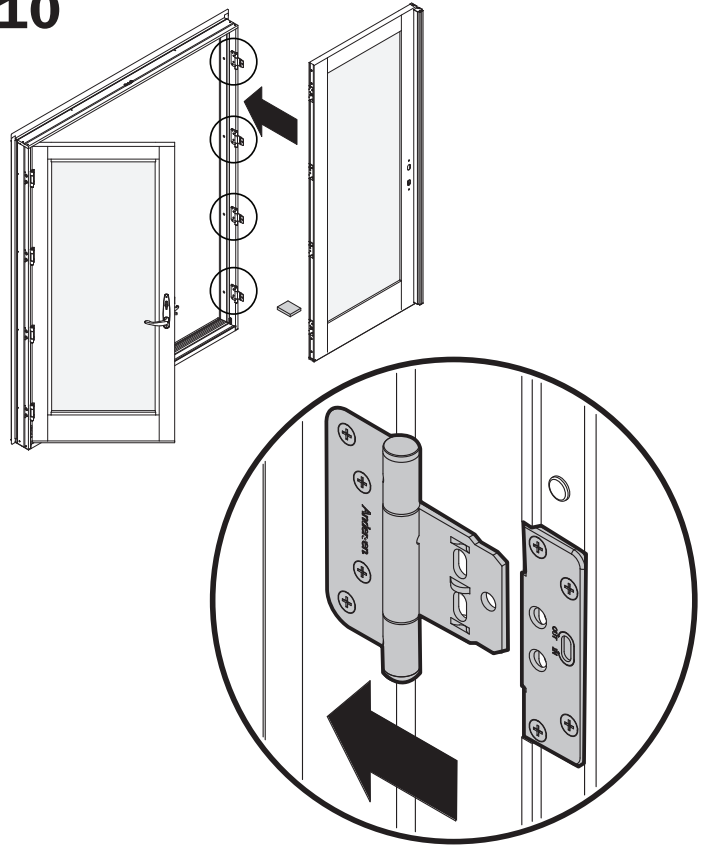
Transfer **top** and **bottom** horizontal hinge receivers to passive replacement panel at same locations.

9



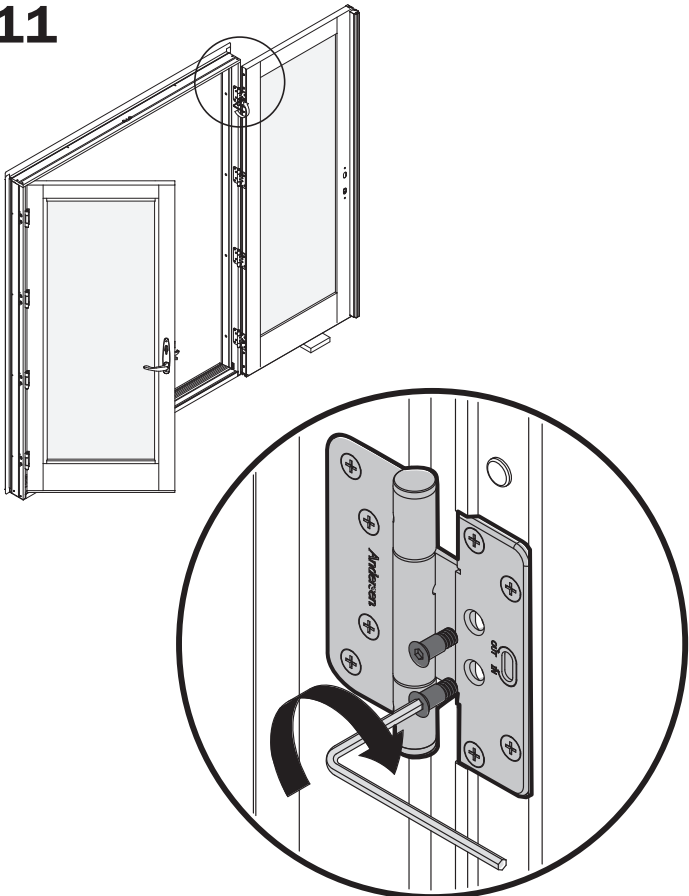
Transfer **middle** vertical hinge receiver(s) to passive replacement panel at same locations.

10



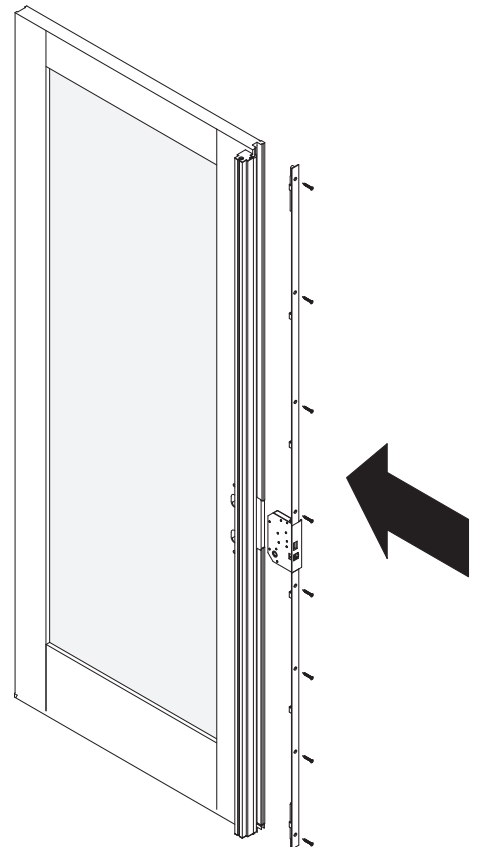
Support passive panel on block and reinstall by sliding hinge receivers onto hinge leaves.

11



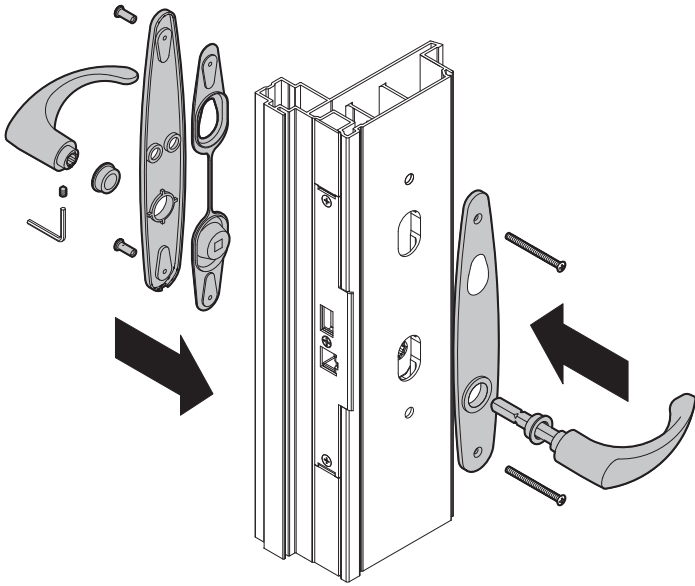
Reinstall and fasten all fixing screws.

12



Position lock mechanism into passive replacement door panel and fasten with previously removed screws.

13



Reapply trim set reversing steps 2 and 3.

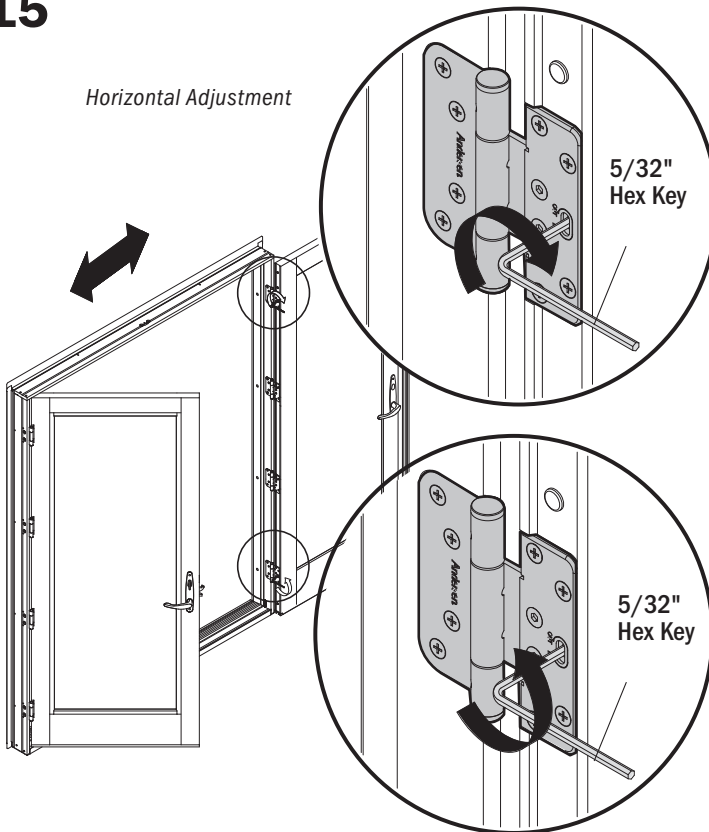
14



Check panel operation. Adjust panel as necessary following steps 15, 16, and 17.

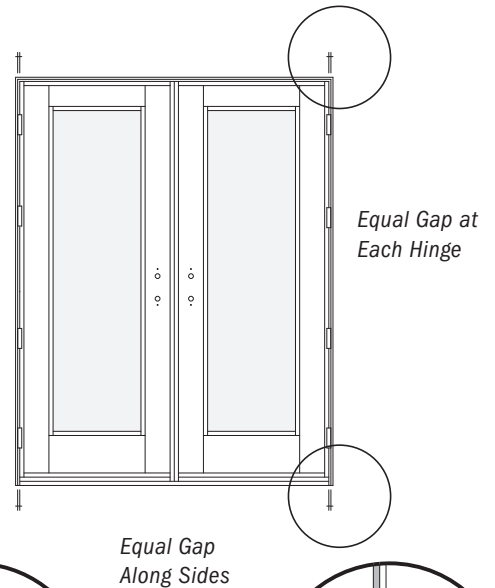
15

Horizontal Adjustment

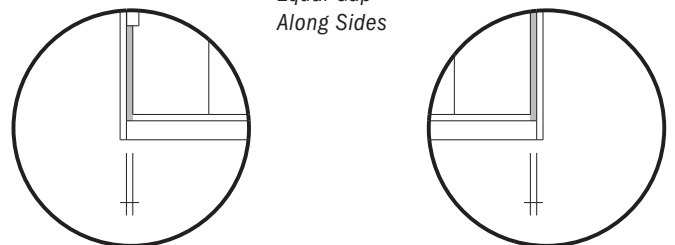


Turn adjustments on top and bottom hinges clockwise to move panel toward hinge jamb.

Turn adjustments on top and bottom hinges counterclockwise to move panel away from hinge jamb.

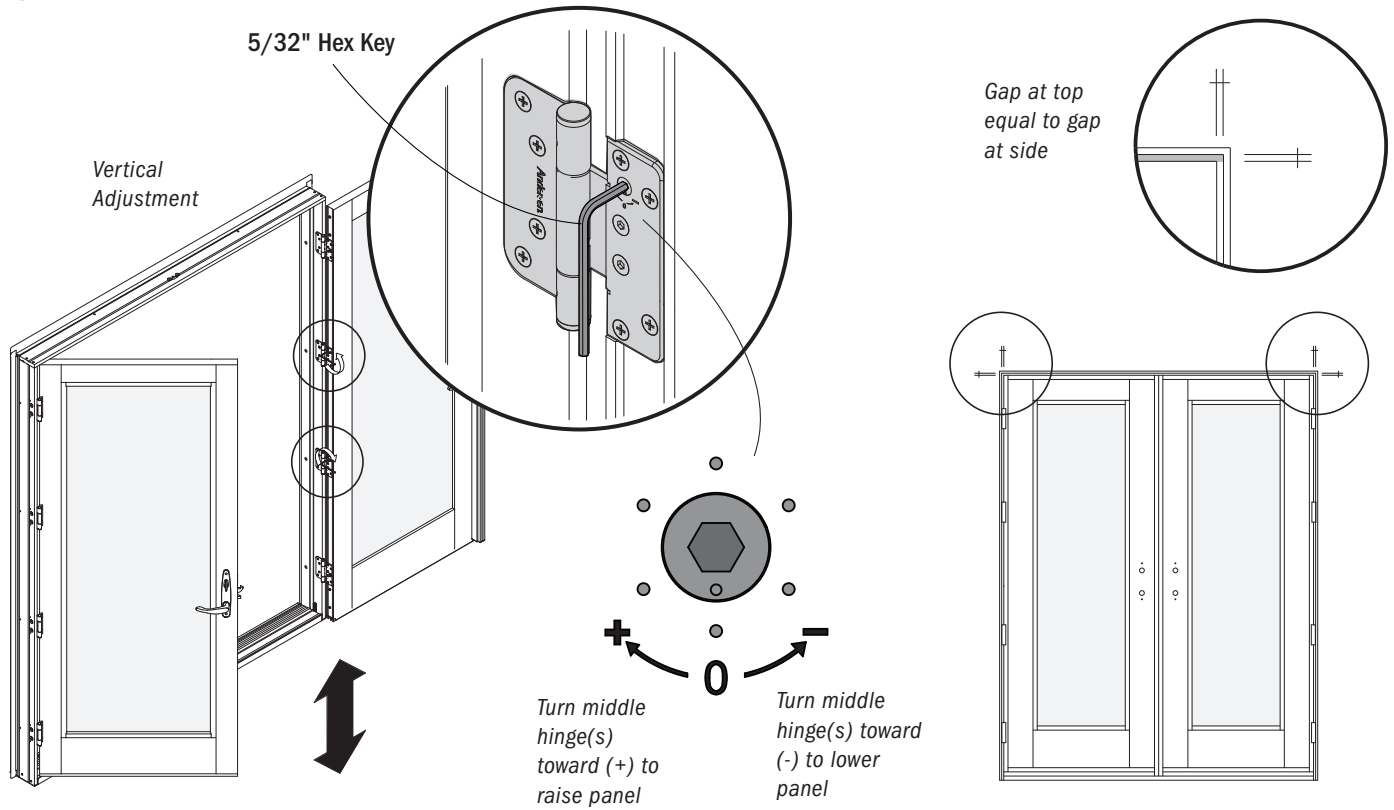


Equal Gap Along Sides



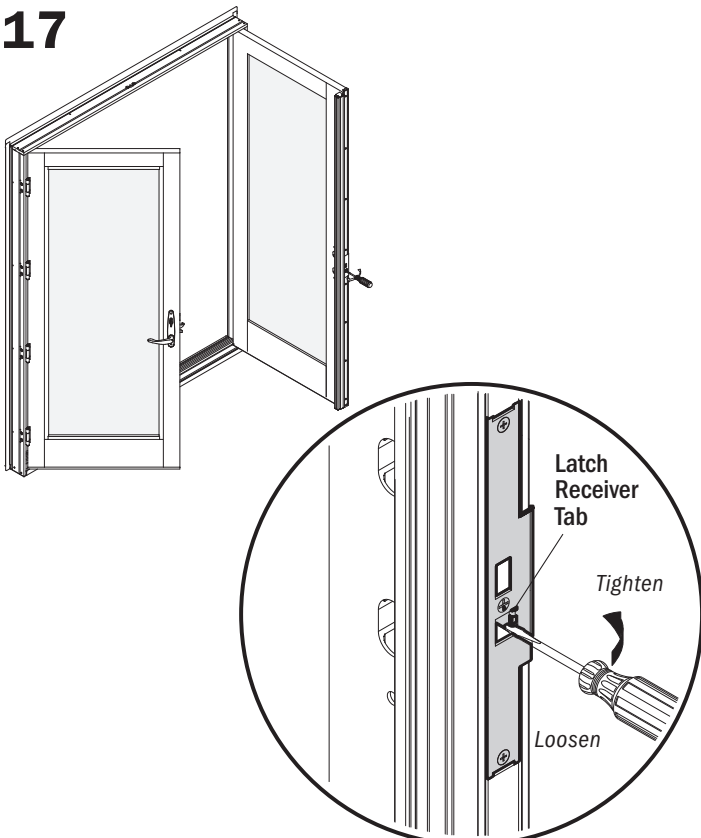
Adjust panel horizontally to achieve an equal gap between the panel and frame along the side.

16



Adjust panel vertically so the gap at top equals the gap at side.

17



• Procedure is complete.

Inspect from exterior for contact between panel and weatherstrip. If necessary, adjust latch receiver tab to achieve weatherstrip contact and compression using a flat blade screwdriver.