

Stationary Panel Replacement

Product Series: 200 Series

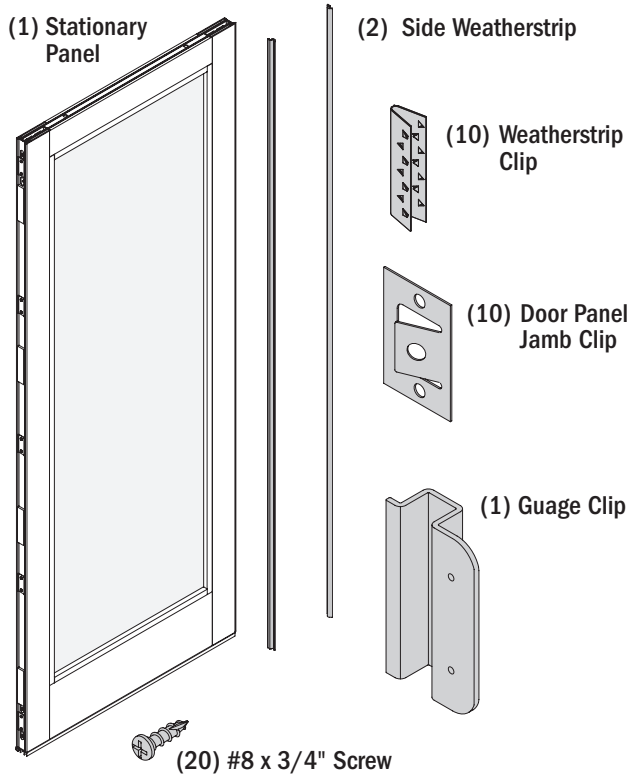
Product Type: Hinged Inswing Patio Doors

Read these instructions before starting procedure.

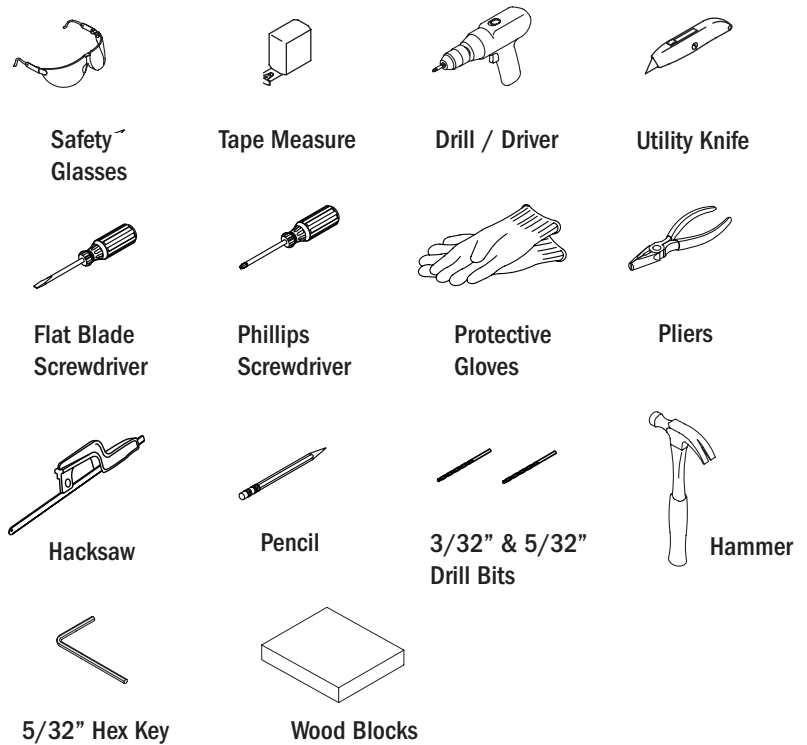
For additional information visit www.andersenwindows.com.

For questions call 1-888-888-7020.

Parts Included:



Tools and Supplies Needed:



Handling

WARNING

- Windows and doors can be heavy. Use safe lifting techniques and a reasonable number of people with enough strength to lift, carry, and install window and door products. Heavier windows and doors will require mechanical assistance. Failure to do so could result in injury, product or property damage.
- Windows, doors, and installation components can have sharp edges. Wear protective equipment when handling. Failure to do so could result in injury.

Tools

WARNING

- Follow manufacturers' instructions for hand and power tools. Always wear safety glasses. Failure to do so could result in injury, product or property damage.

Installation

WARNING

- Use caution when working at elevated heights and around window and door openings. Follow the manufacturers' instructions for ladders and scaffolding. Failure to do so could result in injury or death.
- Support window or door in opening at all times until fastened. Failure to do so could result in window or door falling out causing injury, property or product damage.
- Windows and doors have small parts (e.g. hole plugs, operator spline caps, fasteners, etc.). Small parts if swallowed could pose a choking hazard to young children. Dispose of unused, loose, or easily removed small parts. Failure to do so could result in injury.

Finishing

NOTICE

- **DO NOT** stain or paint weatherstrip, vinyl, glass, or hardware. Doing so could result in product damage.
- Read and follow finish manufacturer's instructions and safety information. Failure to do so could result in product damage.
- **DO NOT** over load brush with stain or paint when finishing. Doing so could allow finish to wick between glass stop or grille, and glass.
- Finish unassembled unfinished gliding patio doors prior to installation. Some surfaces are not accessible after installation. Unfinished wood will deteriorate, discolor, and could bow or split. Some surfaces are hidden from view.

Glass

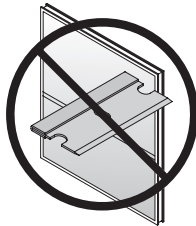
NOTICE

- **DO NOT** apply any type of film to insulating glass. Doing so could cause thermal stress conditions and result in glass damage. Shading devices (e.g. insulated coverings, shutters, etc.) could also cause thermal stress and condensation causing deterioration of windows or doors.

Cleaning

NOTICE

- **DO NOT** use metal razor blades to clean glass surface. Glass damage could result.
- **DO NOT** use or apply solvents, abrasives, harsh chemicals or cleaners to glass, sash, panels, frame, or window or door components. Doing so will result in product damage. For a list of recommended cleaners go to: andersenwindows.com



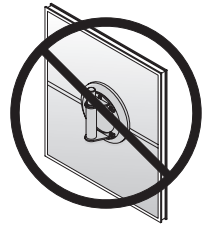
IMPORTANT

- Clean glass using liquid glass cleaner.
- Clean exterior frame, sash, panels, and insect screens using mild detergent and water with a soft cloth or brush.
- For hard to clean areas, use a nonabrasive cleaner.

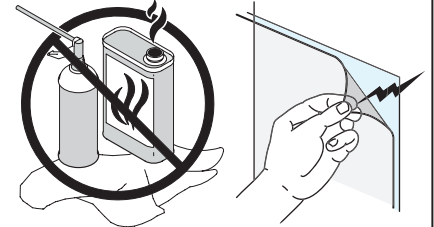
Protective Film

WARNING

- **DO NOT** place suction grips over film seam. Suction grips will not hold if placed over film seam to lift or move window or door. Window or door will fall and could result in injury, product or property damage.



- **DO NOT** remove protective film near flammable materials. Static charge created when removing film can ignite flammable materials or cause a shock. Doing so could result in injury, product or property damage. **See warning label on glass.**



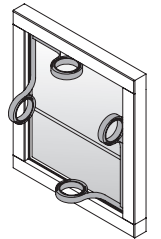
- Dispose of protective film immediately after removing. Failure to do so could pose a suffocation hazard to children.

NOTICE

- **DO NOT** remove protective film until after construction is completed. Doing so could allow glass to be damaged.

IMPORTANT

- Protective film is not present on all windows or doors.
- Remove protective film by peeling from seam or corner. Use a plastic scraper to start if needed.
- Remove protective film within six (6) months of installation and when temperature is above 32° F.
- Protective Film is not a substitute for masking.



General Information

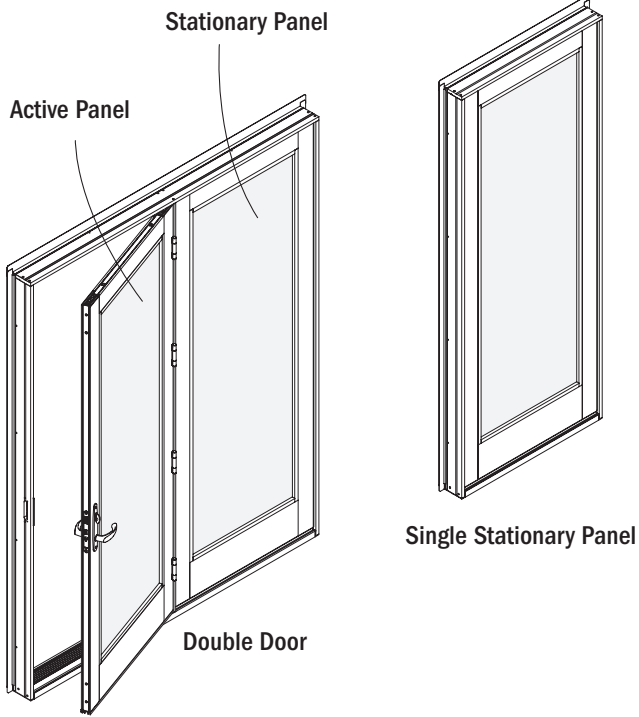
CAUTION

- **DO NOT** attach objects or accessories to window or door except Andersen® products specifically designed for the window or door. Doing so could result in injury, product or property damage.

IMPORTANT

- Contact local authorities or waste management company for proper recycling and disposal instructions for removed window or door.

1



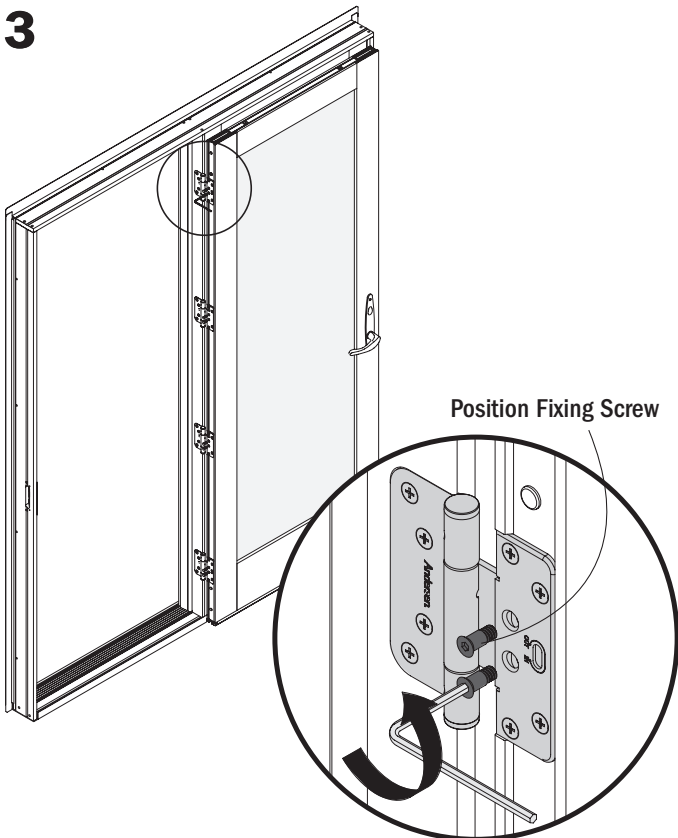
Identify stationary panel. For single stationary panels proceed to step 5.

2



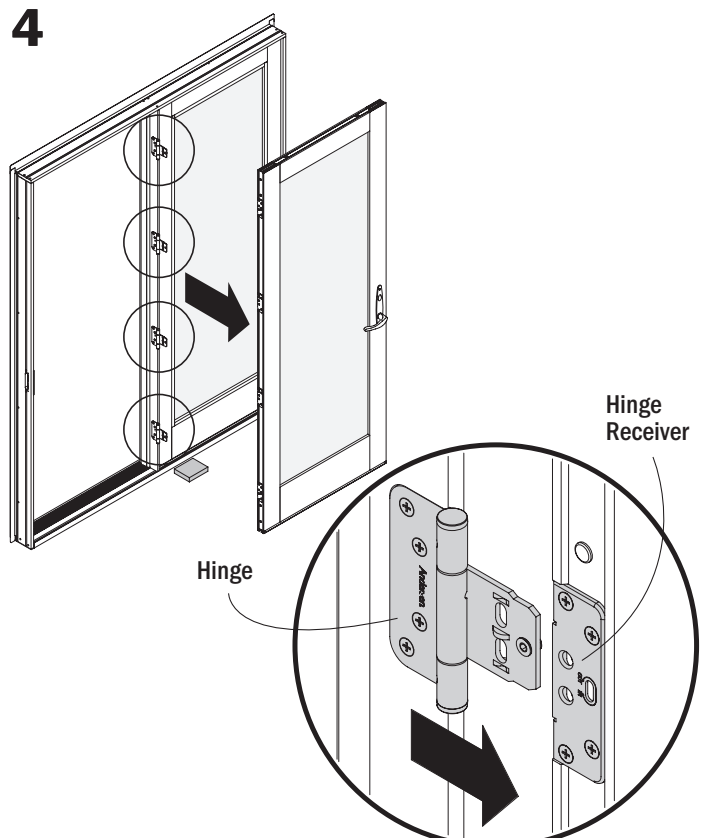
Open and block active panel in full open position.

3



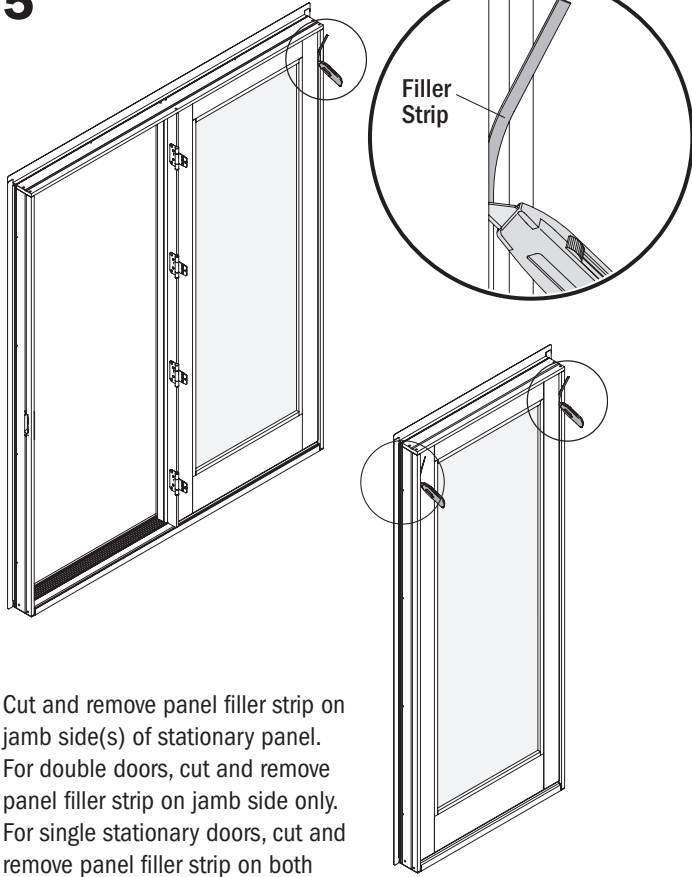
Remove position fixing screws from all hinge receivers on panel using a 5/32" hex wrench. Keep all hardware and fasteners for installation.

4



Remove active panel by pulling hinge receivers straight out from hinges.

5

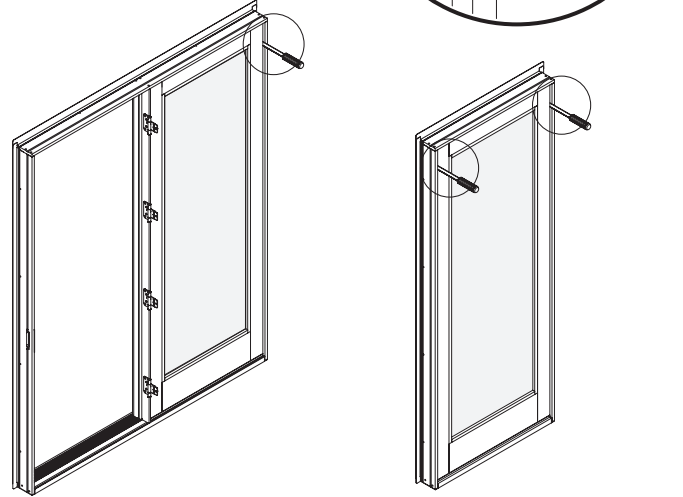


Cut and remove panel filler strip on jamb side(s) of stationary panel. For double doors, cut and remove panel filler strip on jamb side only. For single stationary doors, cut and remove panel filler strip on both sides of unit.

6

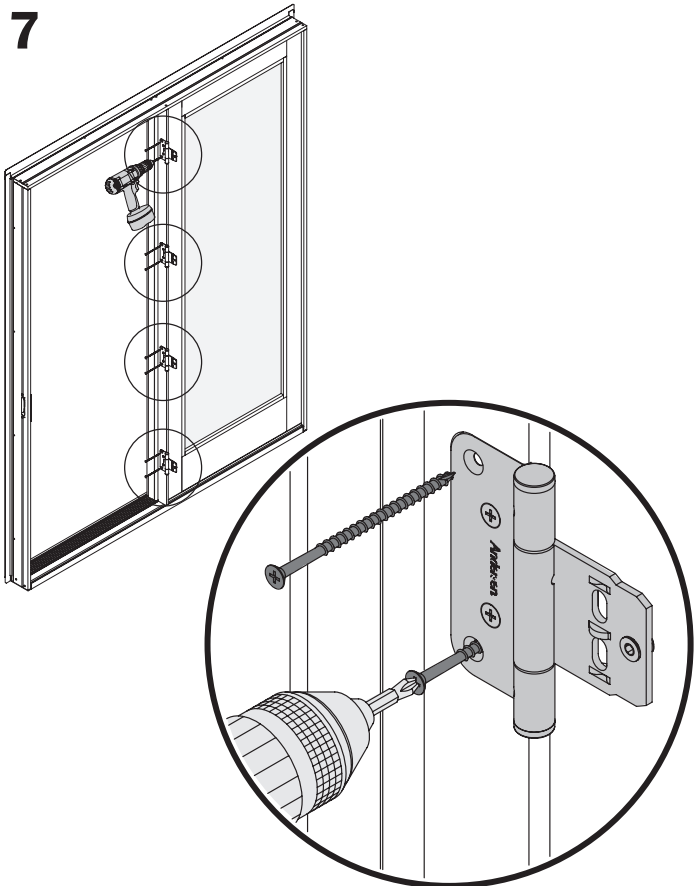
WARNING

Support stationary panel at all times when cutting screws. Panel could fall during and after removal of screws causing severe personal injury.



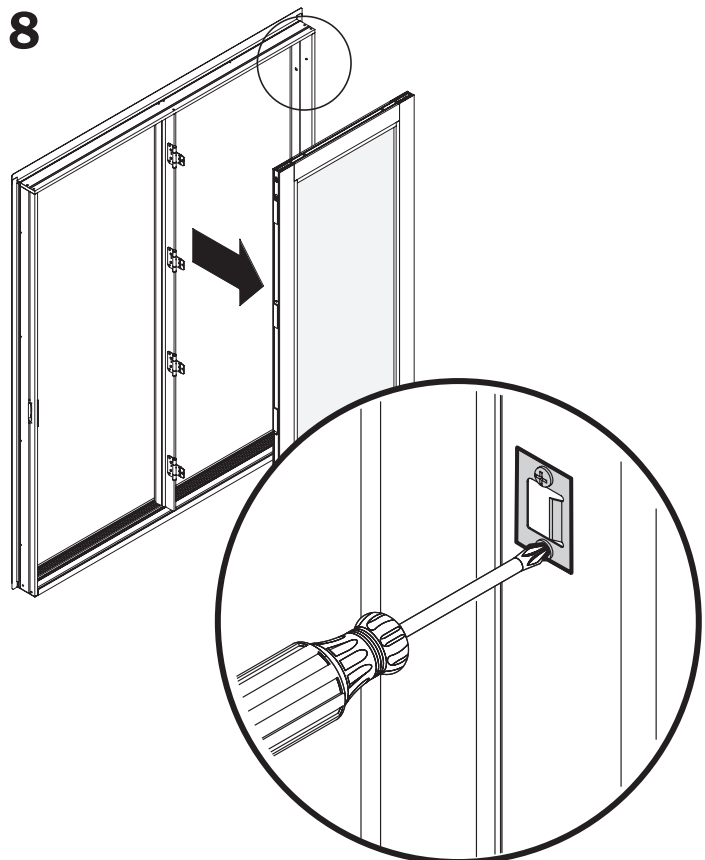
Locate and cut screws or door panel jamb clips between stationary panel and side jamb(s). For double doors, cut screws or clips on jamb side only. For single stationary doors, cut screws or clips on both sides of unit. Protect side jambs from damage when cutting.

7



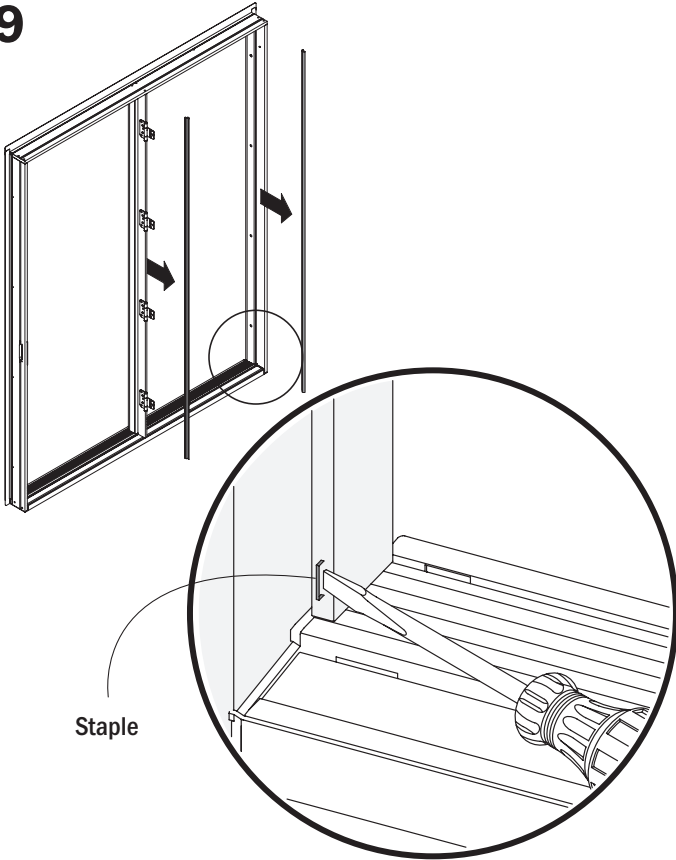
Double door only. Remove only **top** and **bottom** screws from all hinges.

8



Remove stationary panel. Remove remaining portions of door panel jamb clips if present.

9



Staple

Remove side weatherstrip. Remove staples and weatherstrip clips if present.

10

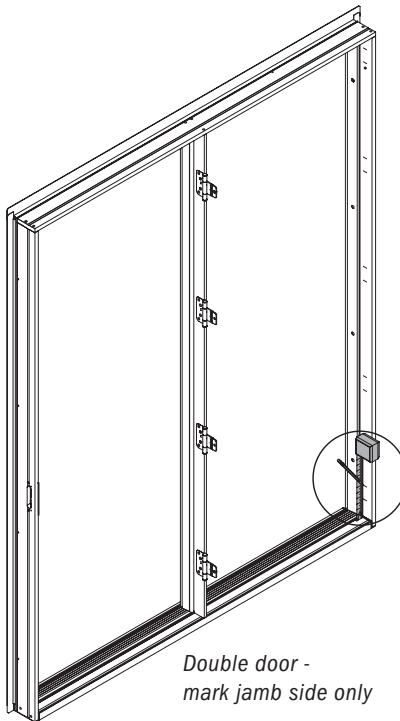
Jamb Marking Locations

6'8" Height Door 6'11" Height Door

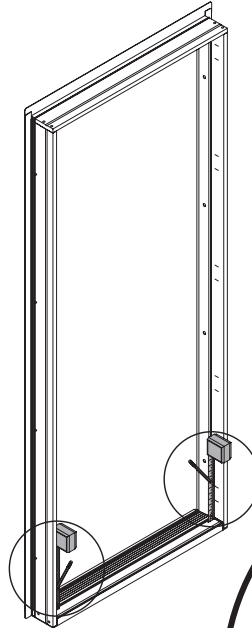
74 7/8"	80 1/4"
72 3/8"	77 3/4"
51 3/4"	55 1/2"
49 1/4"	53"
28 3/4"	30 1/2"
26 1/4"	28"
5 3/4"	5 3/4"
3 1/4"	3 1/4"

7'6" Height Door 3'0" Height Door

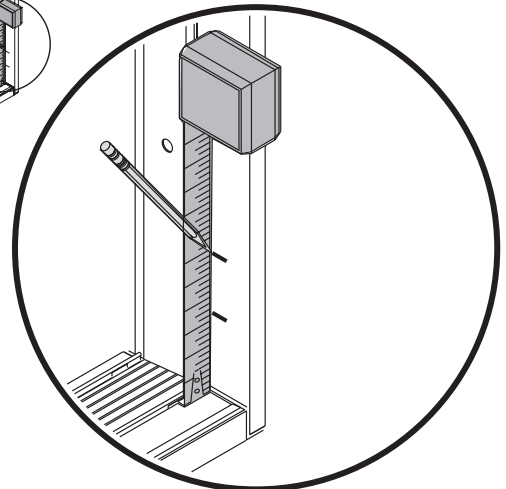
84 7/8"	90 7/8"
82 3/8"	88 3/8"
65 1/8"	69 5/8"
62 5/8"	67 1/8"
45 1/4"	48 1/4"
42 3/4"	45 3/4"
25 1/2"	27"
23"	24 1/2"
5 3/4"	5 3/4"
3 1/4"	3 1/4"



Double door - mark jamb side only

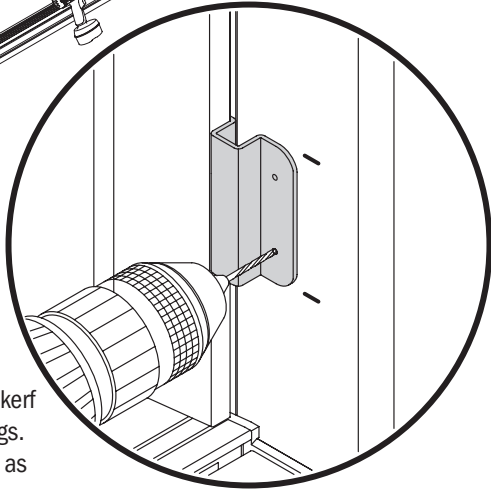
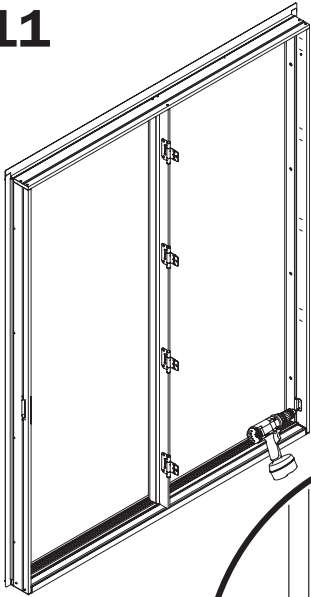


Single stationary door - mark each side



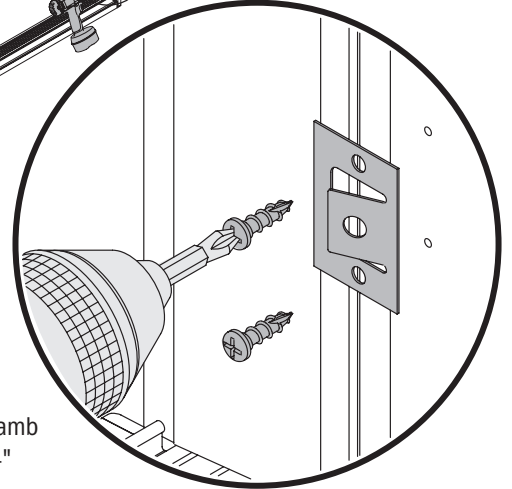
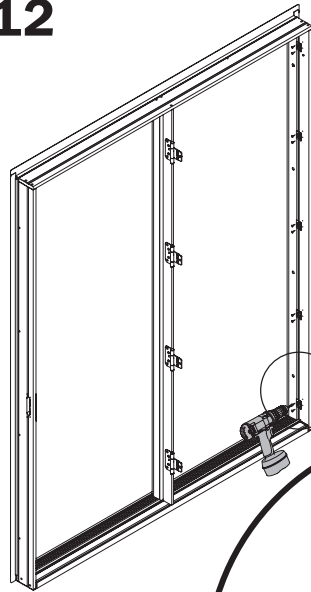
Mark locations on side jamb for gauge tool from top of threshold according to chart.

11



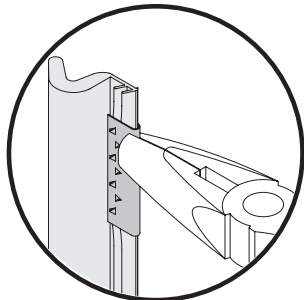
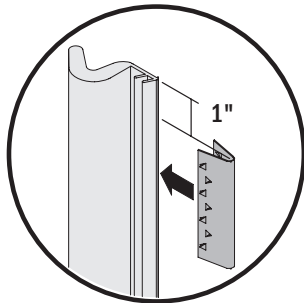
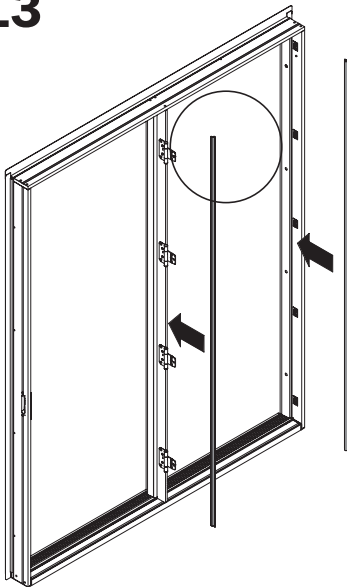
Position gauge tool against weatherstrip kerf and between markings. Predrill $3/32$ " holes, as shown.

12



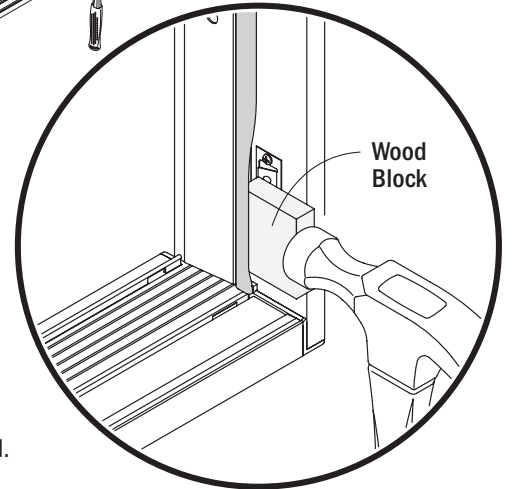
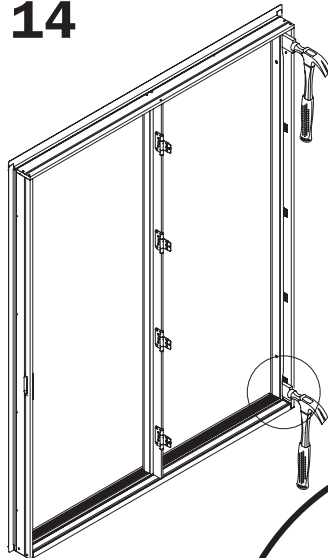
Secure door panel jamb clips using #8 x $3/4$ " screws, as shown.

13



Apply weatherstrip clips 1" from ends of each weatherstrip. Crimp clips onto weatherstrip while avoiding bars.

14

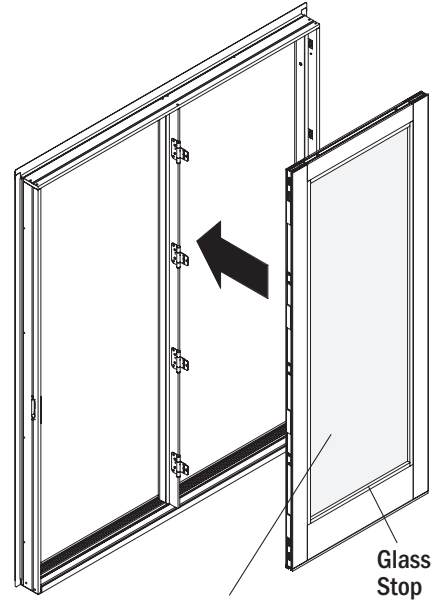
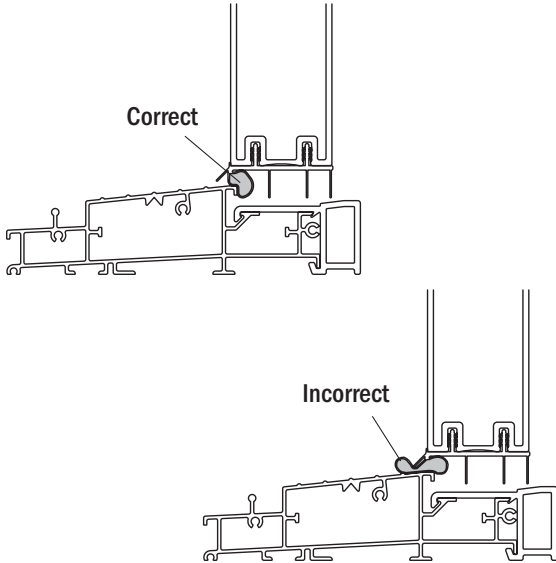


Position end of weatherstrip tight at sill. Tap bottom weatherstrip clip into kerf and work upwards until seated. Tap in top clip.

15

NOTICE

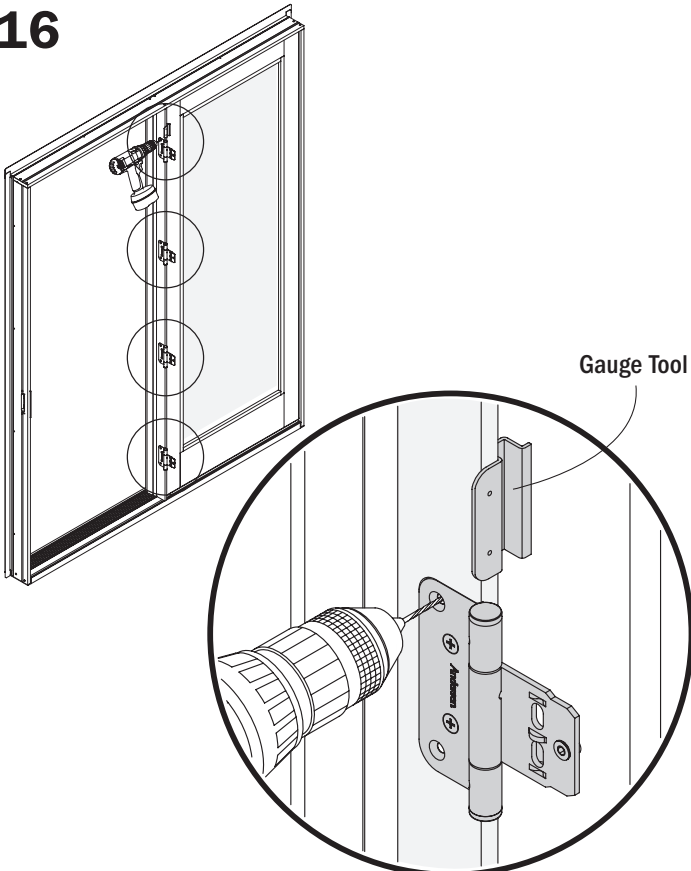
Make sure sweep on bottom of panel is seated correctly at sill. Failure to seat sweep may result in product performance failure causing product and/or property damage.



Stationary Panel
(glass stops to the interior)

Place stationary panel on interior of sill and press forward engaging all door panel jamb clips. Installation is finished for single stationary panels.

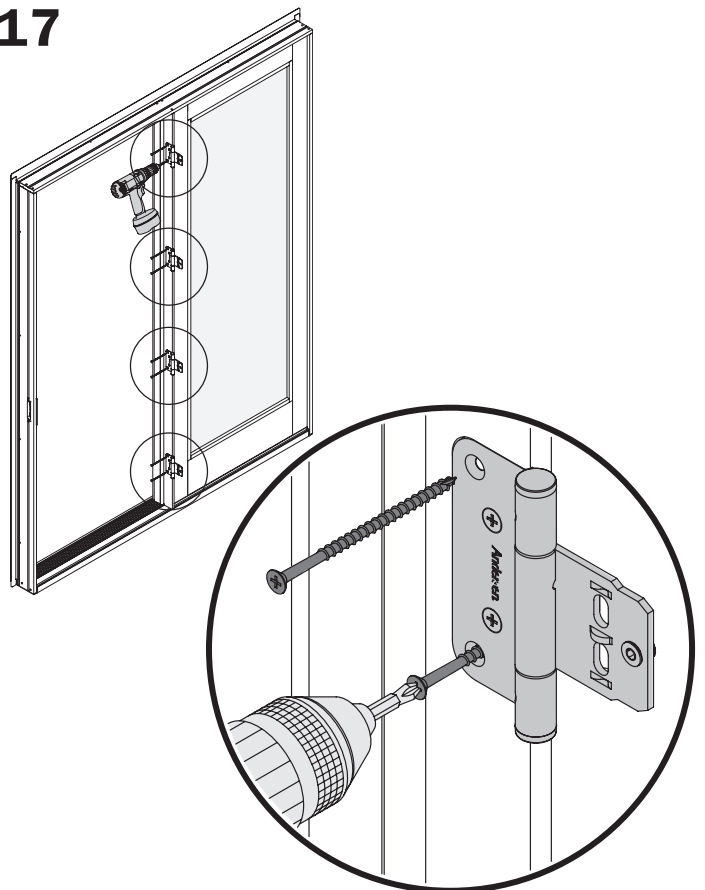
16



Gauge Tool

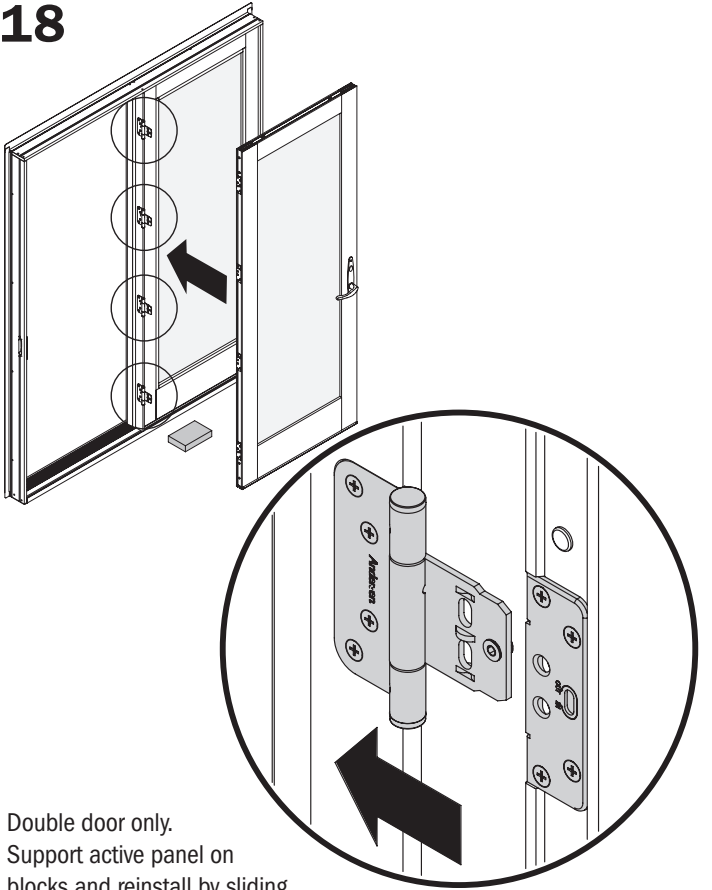
Double door only. Push and hold panel at proper weatherstrip compression using gauge tool. Pre-drill 5/32" hinge holes, 2-1/4" deep.

17



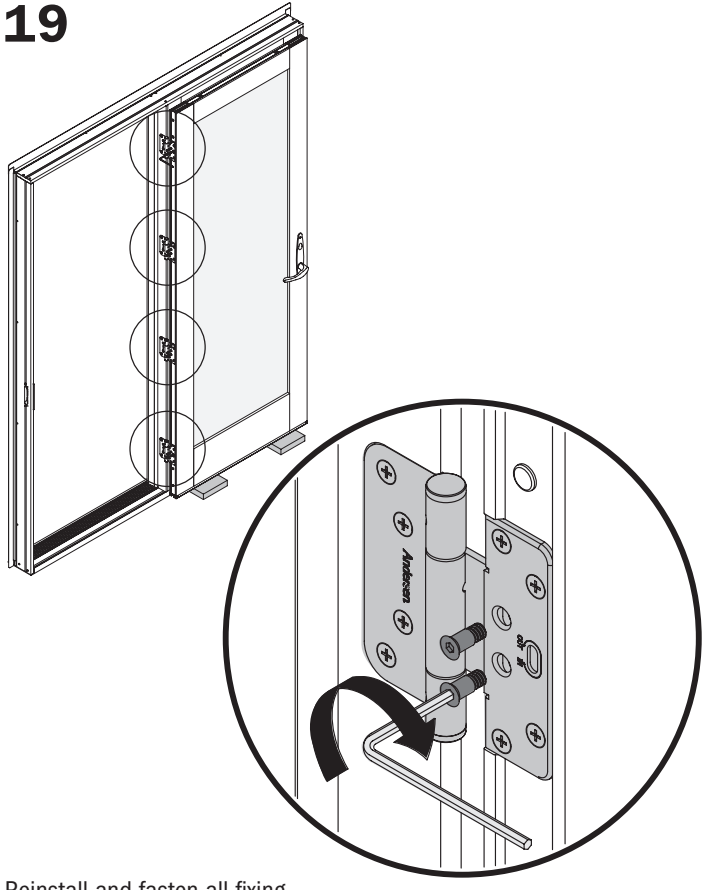
Double door only. Install top and bottom screws in all hinges.

18



Double door only.
Support active panel on
blocks and reinstall by sliding
hinge receivers onto hinge leaves.

19



Reinstall and fasten all fixing
screws. Installation is finished for double doors.

• Procedure is complete.