

# Hinge Replacement & Hinge and Hardware Adjustment Guide

for 200 Series Hinged Patio Doors - Inswing  
**Limited Publication Release**

Please read this guide completely before starting. For questions about this and other Andersen® products, call 1-888-888-7020.

For the most current version of this guide visit [www.andersenwindows.com](http://www.andersenwindows.com). Consult your local building code official for applicable building codes and regulations. Thank you for choosing Andersen® products.

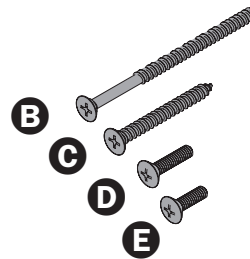
Please leave this information with homeowner.

## Parts Included (replacement hinge kit)

- (1) Instruction Guide
- (1) Hinge
- (2) #10 x 3" Screws
- (4) #10 x 1-3/4" Screws
- (2) #10-32 x 3/4" Screws
- (2) #10-32 x 1/2" Screws

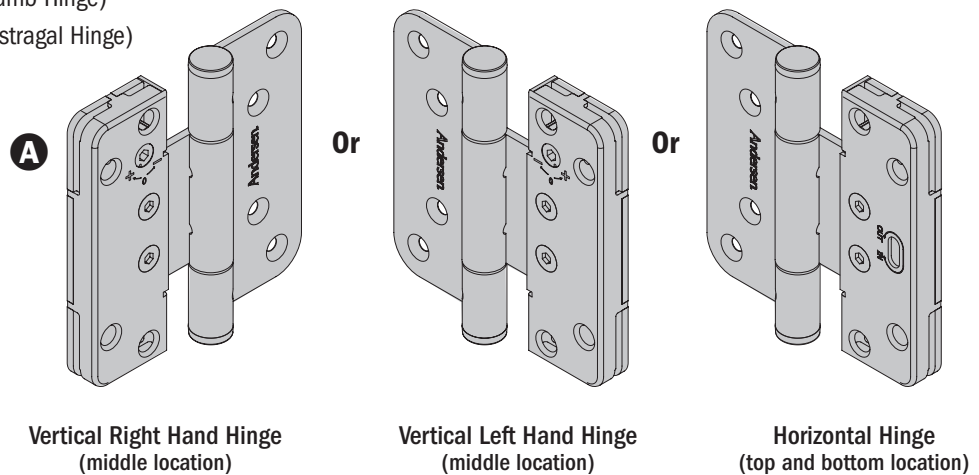
## Tools Needed

- Safety Glasses
- 5/32" Hex Wrench (Included with Unit)
- Flat Blade Screwdriver
- Phillips Screwdriver
- Wood Blocks



## Key

- A** Hinge
- B** #10 x 3" Wood Screws
- C** #10 x 1-3/4" Wood Screws
- D** #10-32 x 3/4" Machine Screws (Jamb Hinge)
- E** #10-32 x 1/2" Machine Screws (Astragal Hinge)



- ▶ For hinge replacement, begin at step 1.
- ▶ For hinge adjustment, begin at step 4.

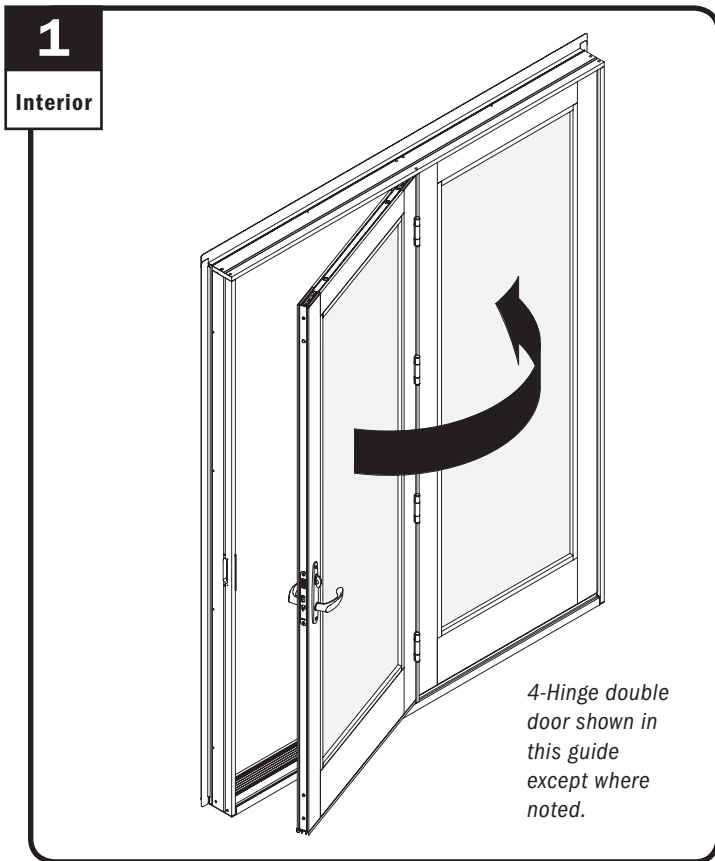
Read and follow these warnings during installation.

### **⚠ WARNING**

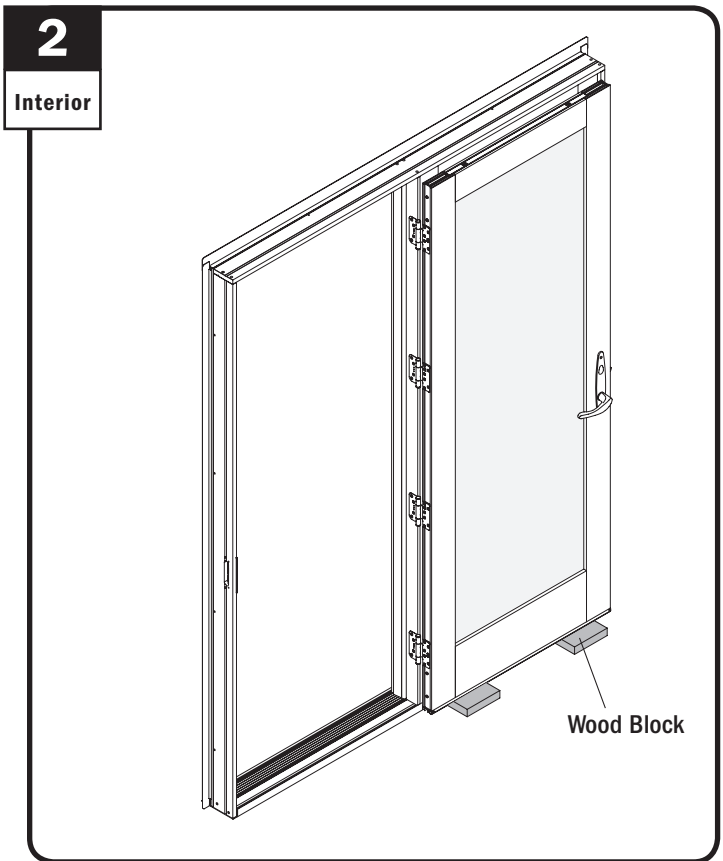
Follow manufacturer's instructions for safe operation of hand/power tools. Always wear safety glasses. Failure to do so may result in injury and/or product damage.

### **⚠ WARNING**

Use caution when working at elevated heights and around unit openings. Follow manufacturer's instructions for safe use of ladder and/or scaffolding. Failure to do so may result in injury or death.



Identify active panel and open.

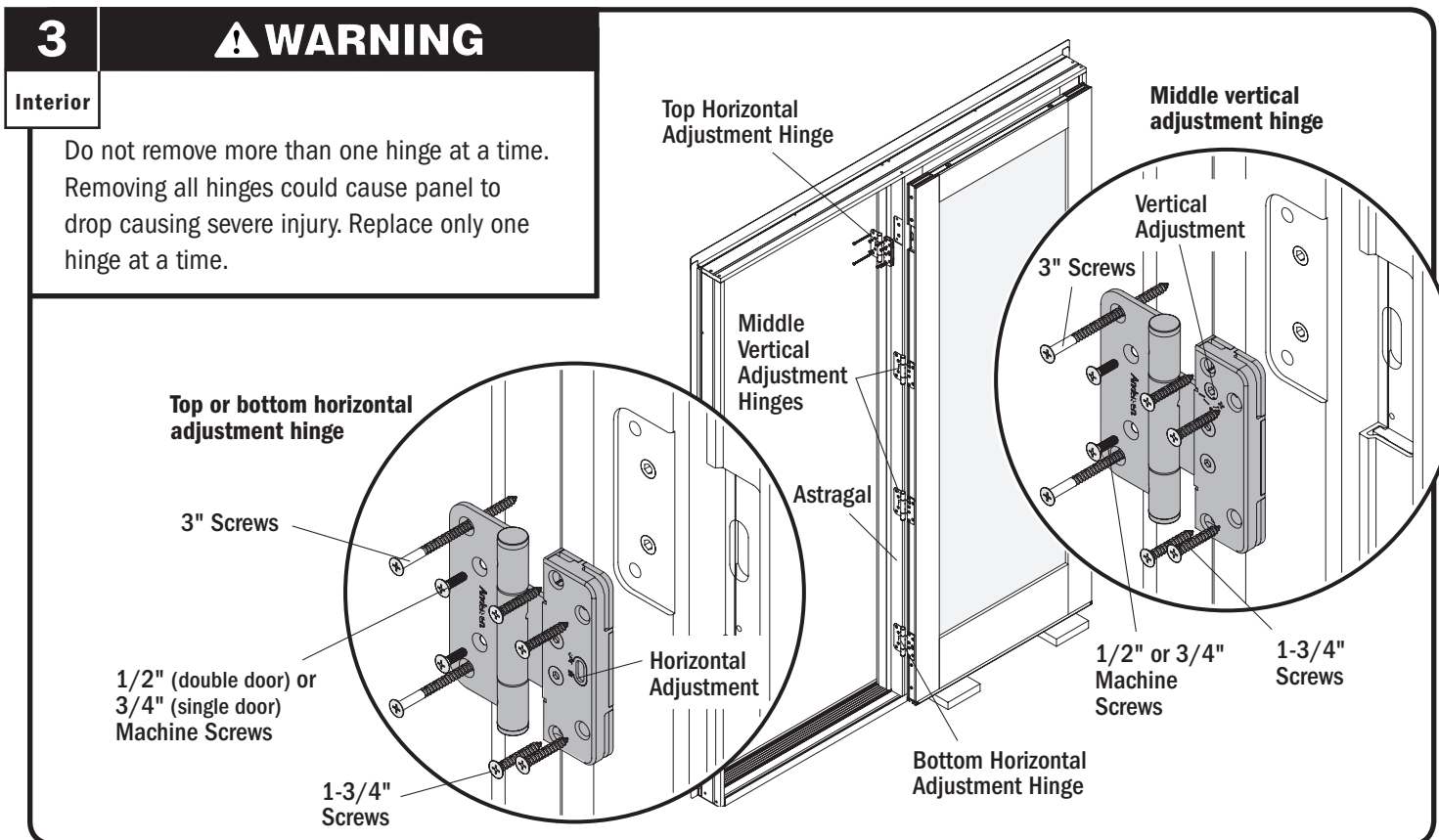


Block door in full open position for hinge access and to keep panel from shifting when removing middle hinge(s).

**3** **⚠ WARNING**

Interior

Do not remove more than one hinge at a time. Removing all hinges could cause panel to drop causing severe injury. Replace only one hinge at a time.



Remove and replace top or bottom horizontal adjustment hinge, one at a time **Or** Remove and replace middle vertical adjustment hinge(s), one at a time. Properly dispose of old hinges and screws.

4

Interior



Remove blocking. Check panel operation.

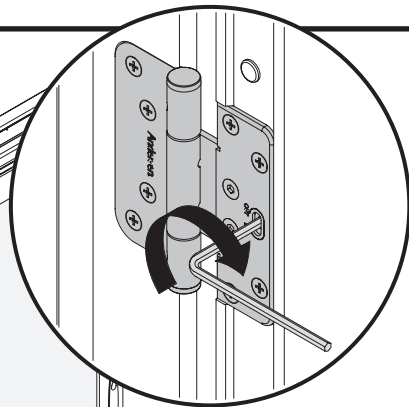
5

Interior

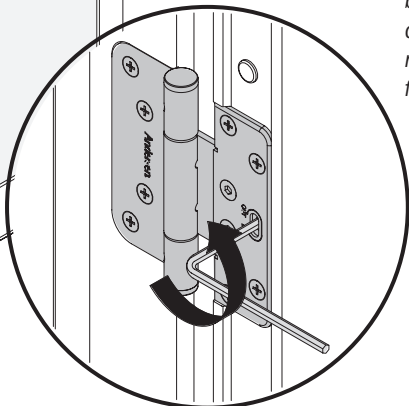
Horizontal Adjustment



Hinge Jamb



Turn top and bottom hinges clockwise to move panel toward hinge jamb.

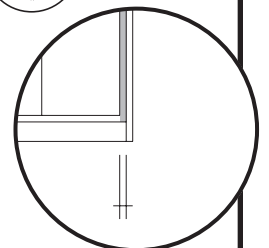
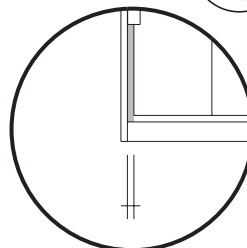


Turn top and bottom hinges counterclockwise to move panel away from hinge jamb.

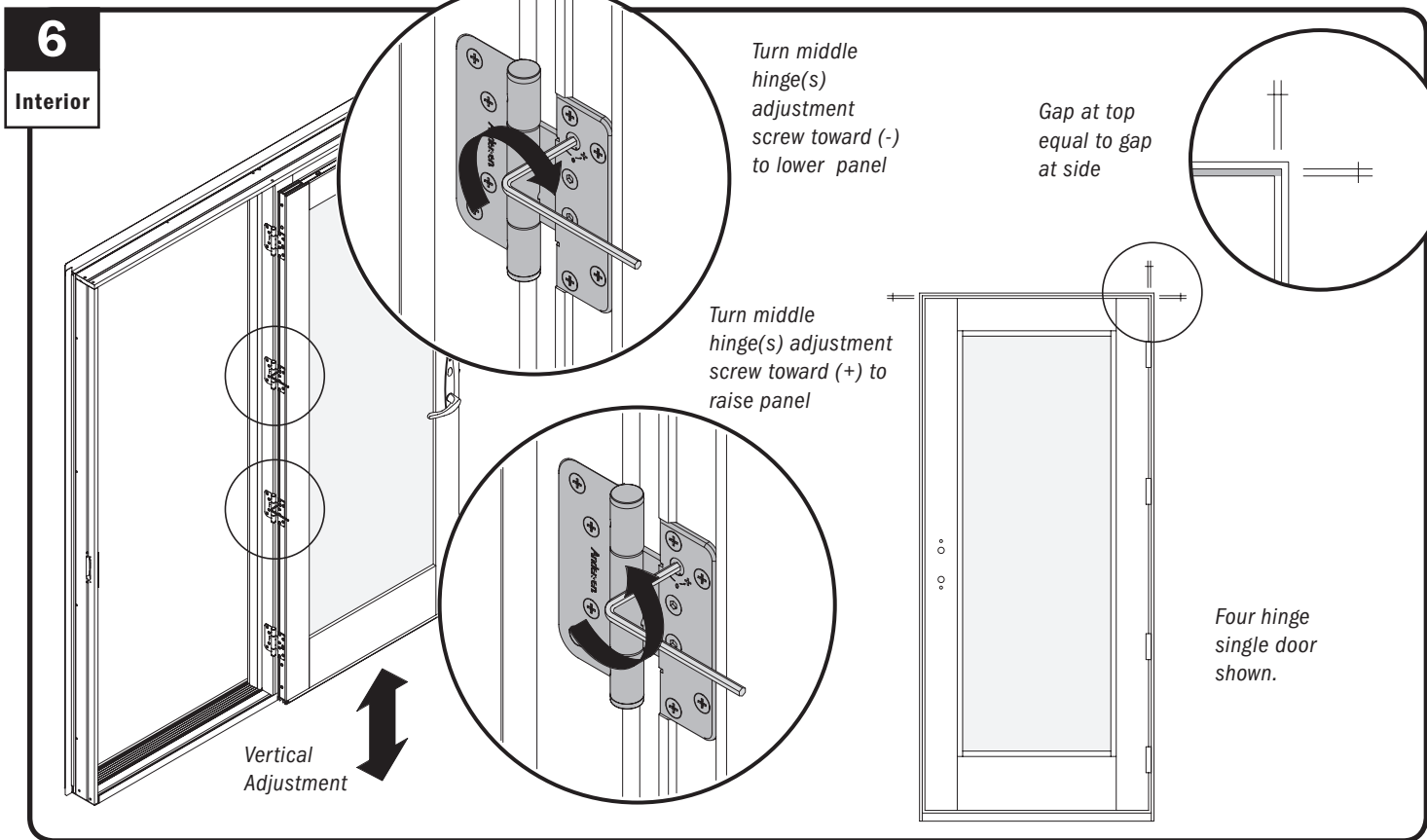
Equal Gap at Each Hinge

Four hinge single door shown.

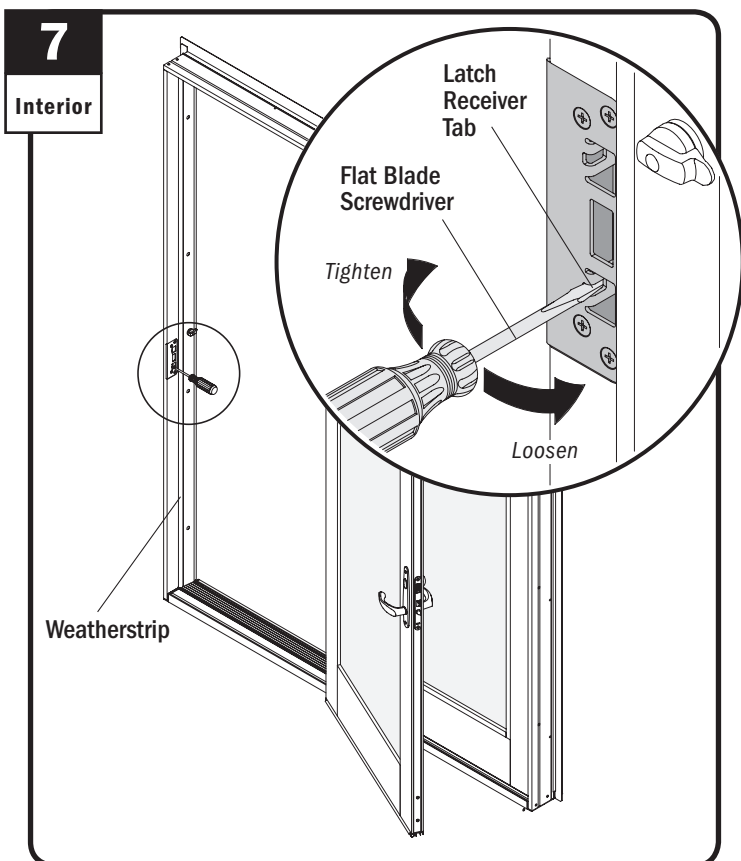
Equal Gap Along Sides



Adjust panel for equal gap side to side (horizontal adjustment).



Adjust panel gap by turning middle hinge adjustment screw until gap at top equals side (vertical adjustment).



**Installation is finished.**

Inspect from exterior for contact between panel and weatherstrip. If necessary, adjust latch receiver tab to achieve weatherstrip contact/compression using a flat blade screwdriver.