

# Head Bracket Replacement Guide

for Andersen® Perma-Shield® Gliding Patio Doors, 1966-1977



## IMPORTANT

Read all instructions carefully before attempting this procedure. If you have any questions about your ability to complete this procedure, call Andersen at 1-888-888-7020 for further direction. Andersen WindowCare® service center hours are Monday through Friday, 7 a.m. to 7 p.m. Central Time and Saturday, 8 a.m. to 4 p.m. Central Time. Thank you for choosing Andersen® products.

## Important Safety, Assembly, and Installation Information

Every assembly and installation is different (windloads, structural support, etc.), and Andersen strongly recommends consultation with an Andersen supplier or an experienced contractor, architect, or structural engineer prior to the assembly and installation of any Andersen product. Andersen has no responsibility in regard to the post-manufactured assembly and installation of Andersen products.

### ⚠ WARNING

Use of ladders and/or scaffolding and working at elevated levels may be hazardous. Follow equipment manufacturer's instructions for safe operation. Use extreme caution when working around window and door openings. Falling from opening may result in personal injury or death.

### ⚠ WARNING

Improper use of hand or power tools could result in personal injury and/or product damage. Follow equipment manufacturer's instructions for safe operation. Always wear safety glasses.

### ⚠ WARNING

Weight of window and door unit(s) and accessories will vary. Use a reasonable number of people with sufficient strength to lift, carry, and install window and door unit(s) and accessories. Always use appropriate lifting techniques.

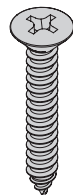
### Parts Included

- (1) Instruction Guide
- (1) Head Bracket  
(2573549) white  
(2573551) stone
- (1) Spacer
- (5) #8 x 1" Flat Head Screws  
(3629040) white  
(3629041) stone

### Tools and Supplies

- Safety Glasses
- Phillips Screwdriver
- Super Glue
- .062" Wood Plugs
- Scissors
- Drill
- 1/16" Drill Bit

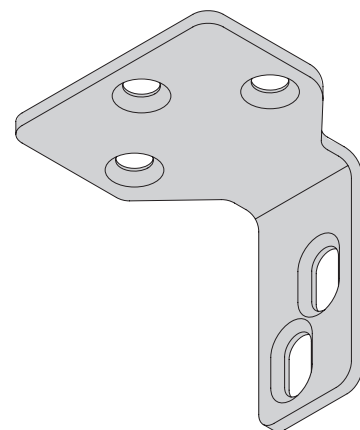
### Component Identification



Gray #8 x 1"  
Flat Head Screw



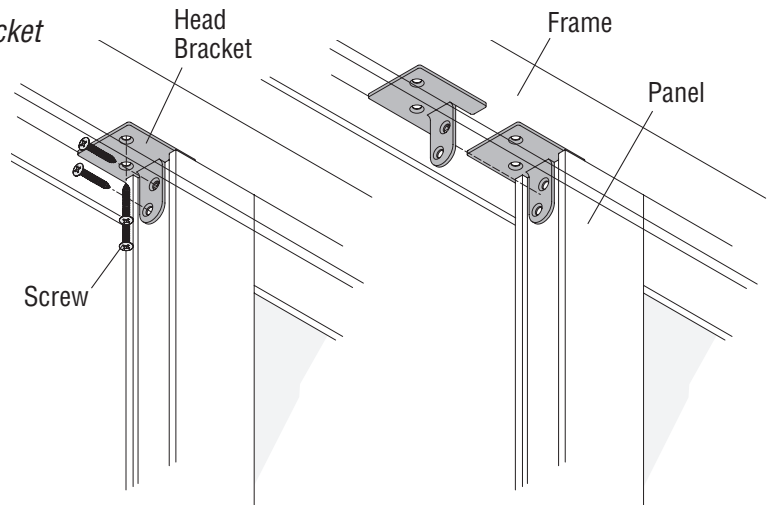
Spacer



Head Bracket

## 1. Remove Head Bracket

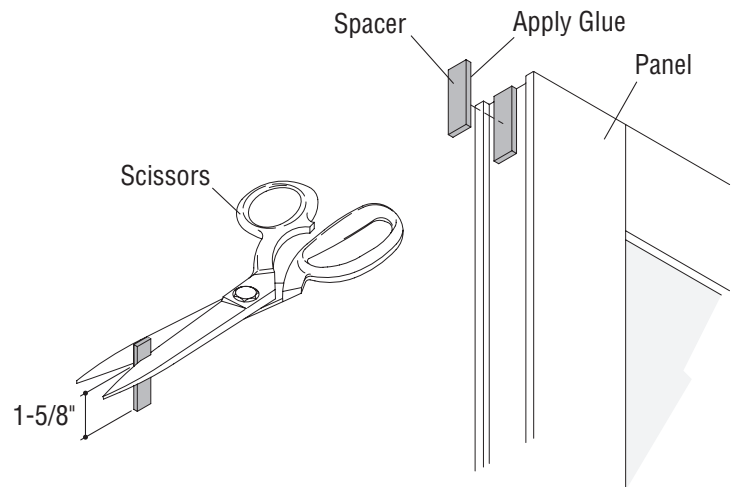
- Remove and properly discard of existing *Head Bracket* and screws.
- Fill screw holes using .062 wood plugs.



Interior Views

## 2. Apply Spacer

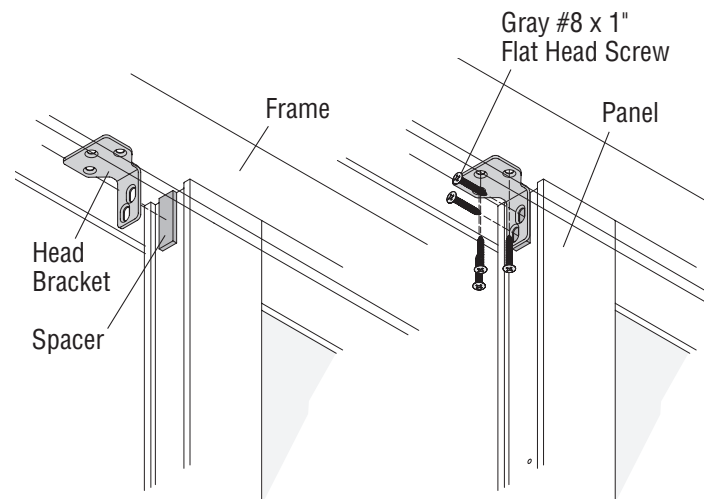
- Cut *Spacer* 1-5/8" long.
- Apply super glue to *Spacer*.
- Position *Spacer* to edge of panel at head jamb, as shown. Let dry.



Interior View

## 3. Apply Replacement Head Bracket

- Position replacement *Head Bracket* over *Spacer*, flush with head jamb. Mark screw holes and slots using *Head Bracket* as a template.
- Drill 1/16" holes, 1" deep in marked locations.
- Fasten *Head Bracket* to stationary panel first, then head jamb, using gray #8 x 1" Flat Head Screws.



Interior Views