

# Hinge Conversion

for Andersen® 200/400 Series Awning Windows



## IMPORTANT

Read all instructions carefully before attempting this procedure. If you have any questions about your ability to complete this procedure, call Andersen at 1-888-888-7020 for further direction. Andersen WindowCare® service center hours are Monday through Friday, 7 a.m. to 7 p.m. Central Time and Saturday, 8 a.m. to 4 p.m. Central Time. Thank you for choosing Andersen® products.

## Important Safety, Assembly, and Installation Information

Every assembly and installation is different (windloads, structural support, etc.), and Andersen strongly recommends consultation with an Andersen supplier or an experienced contractor, architect, or structural engineer prior to the assembly and installation of any Andersen product. Andersen has no responsibility in regard to the post-manufactured assembly and installation of Andersen products.

### **⚠ WARNING**

Use of ladders and/or scaffolding and working at elevated levels may be hazardous. Follow equipment manufacturer's instructions for safe operation. Use extreme caution when working around window and door openings. Falling from opening may result in personal injury or death.

### **⚠ WARNING**

Improper use of hand or power tools could result in personal injury and/or product damage. Follow equipment manufacturer's instructions for safe operation. Always wear safety glasses.

### **⚠ WARNING**

Weight of window and door unit(s) and accessories will vary. Use a reasonable number of people with sufficient strength to lift, carry, and install window and door unit(s) and accessories. Always use appropriate lifting techniques.

### **⚠ WARNING**

Support sash during removal and installation. Failure to support sash may result in personal injury, product, and/or property damage.

### **⚠ WARNING**

Wear gloves and eye protection such as safety glasses, goggles, or eye shields when handling glass. Failure to do so may result in severe personal injury.

## NOTICE

For installations where any of the following conditions exist, have a qualified carpenter, builder, or contractor determine whether window frame should be replaced or reinstalled or if structural problems need correction before hinge replacement.

- Unit/sash not plumb, level, and square. Measure frame diagonally from corner to corner, distances must be equal within 1/8". If not, seek professional assistance.
- Damage to frame and/or bowed jambs. Seek professional assistance to repair as needed.

### Parts Included

- (1) Installation Guide
- (2) Hinges
- (12) #8 x 5/8" Screws
- (2) #8 x 5/8" Stopper Screws

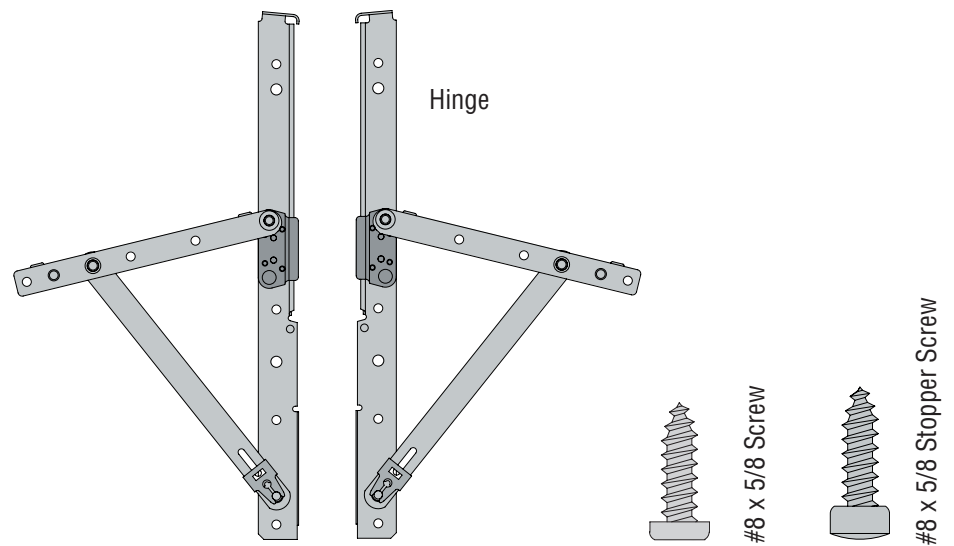
### Additional Parts Required

- Silicone Sealant (color matching)

### Tools and Supplies

- Safety Glasses
- Gloves
- Phillips Screwdriver
- Flat Blade Screwdriver
- Pencil
- Electric Drill
- 3/32" Drill Bit
- Tape Measure
- Support Piece
- Silicone Sealant (color matching)

### Component Identification

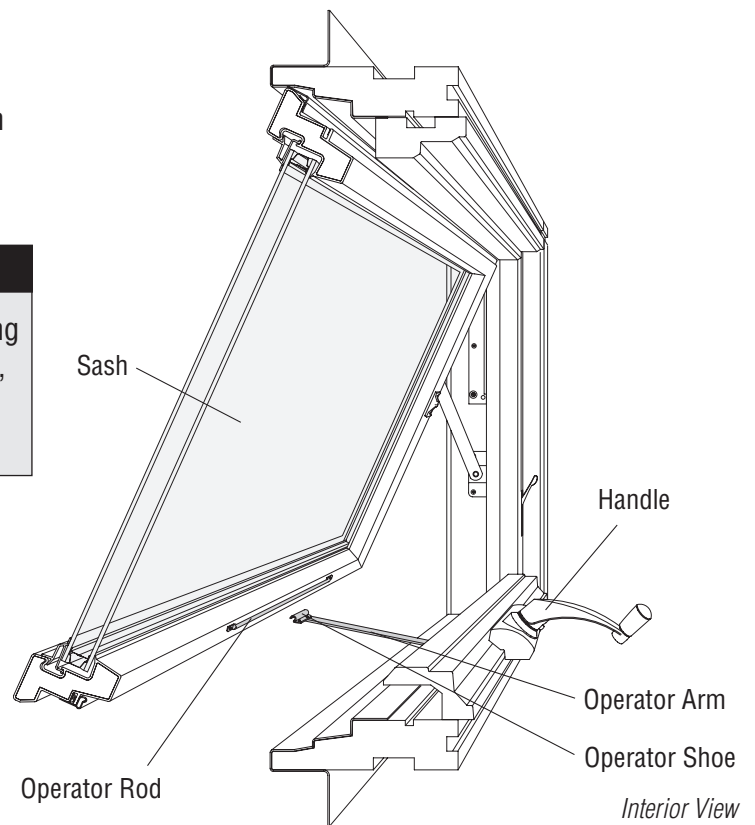


## 1. Disengage Operator Arm

- Open Sash
- Disengage *Operator Arm* from *Operator Rod* on sash by lifting up on *Operator Shoe*.
- Turn handle until *Operator Arm* is in closed position.

### ⚠ WARNING

Sash can now swing freely. Support the sash during the replacement process. During windy conditions, sash may suddenly swing inward causing personal injury, product, and/or property damage.



## 2. Remove Sash, Hinges, and Hinge Tracks

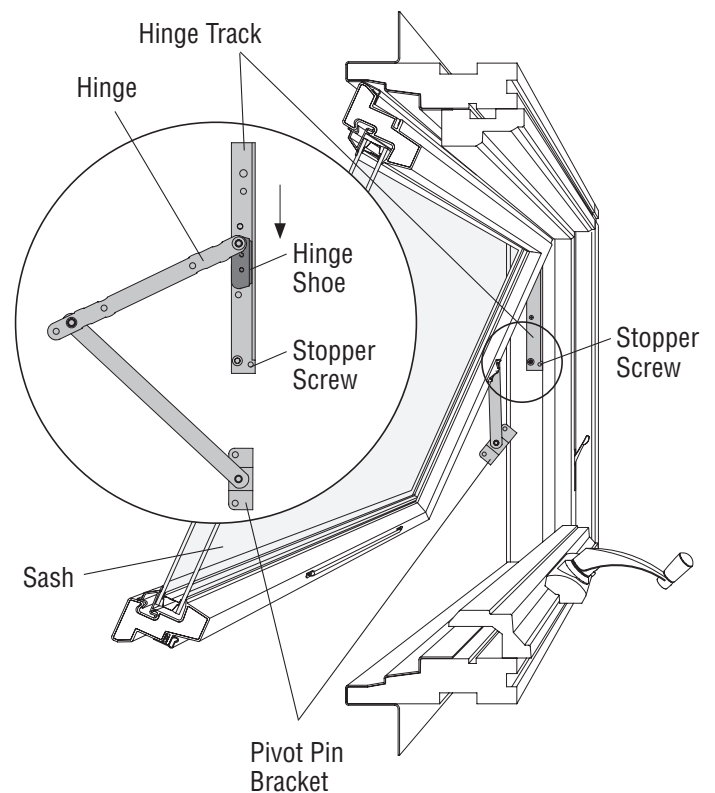
### ⚠ WARNING

Use extreme care when working around window opening. Never leave a window opening unattended, especially when children are present. Falling from window opening may result in severe injury or death.

### NOTICE

Hold *Sash* firmly during removal.

- Remove two screws from *Pivot Pin Bracket* on each side of sash.
- Remove *Stopper Screw* on each side of sash.
- Remove *Sash* by sliding downwards until *Hinge Shoes* are free from *Hinge Tracks*.
- Place *Sash* on a clean, flat working surface interior side up.
- Remove *Hinges* from sash and *Hinge Tracks* from frame.
- Fill screw holes in sash and frame using color matching silicone sealant.



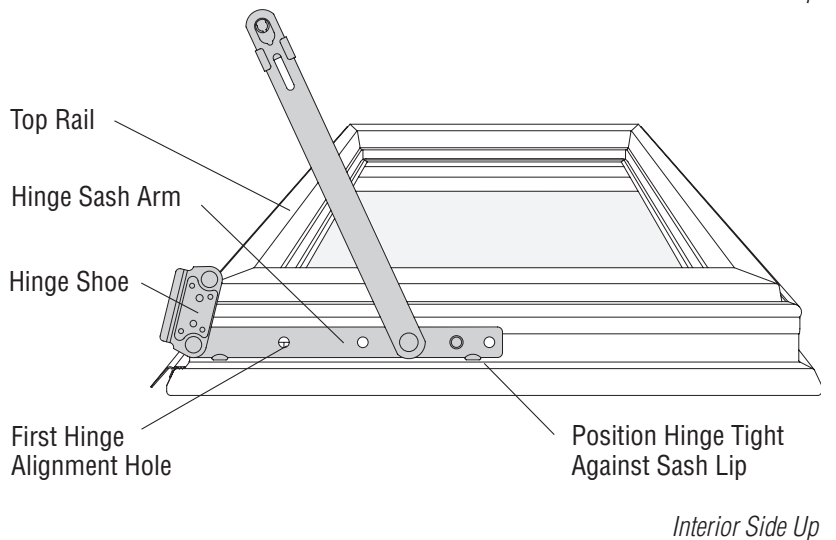
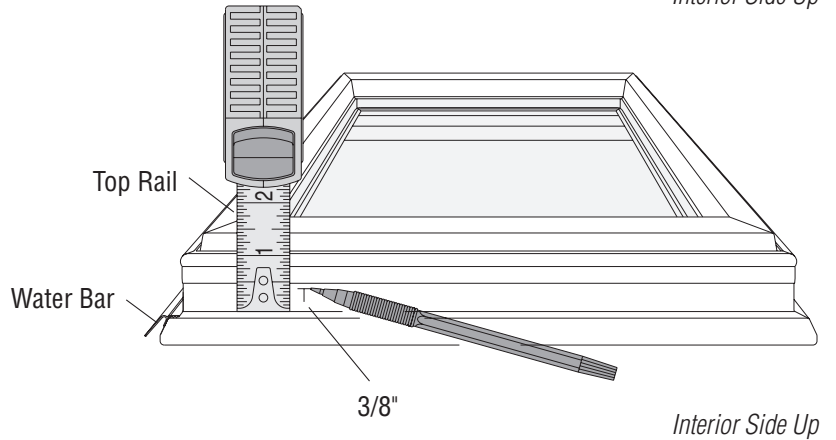
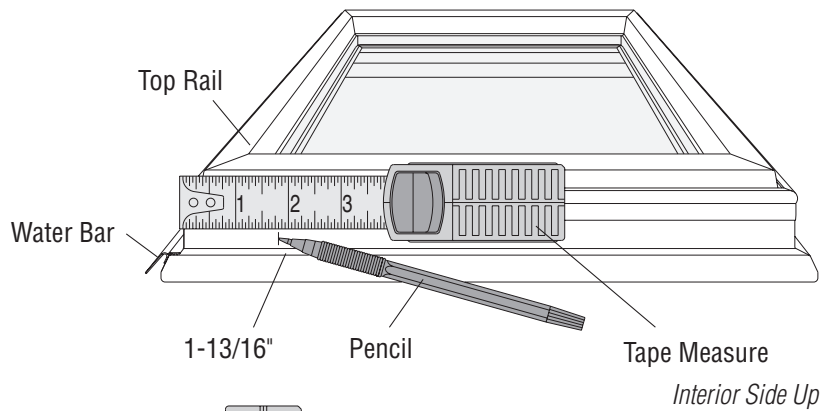
Interior View

### 3. Apply Hinge

- Mark first hinge screw hole location on each sash side stile, 1-13/16" from top rail, as illustrated. *Waterbar* is located on top rail of sash.
- Position *Hinge Sash Arm* to sash with mark aligned with hole closest to *Hinge Shoe*.

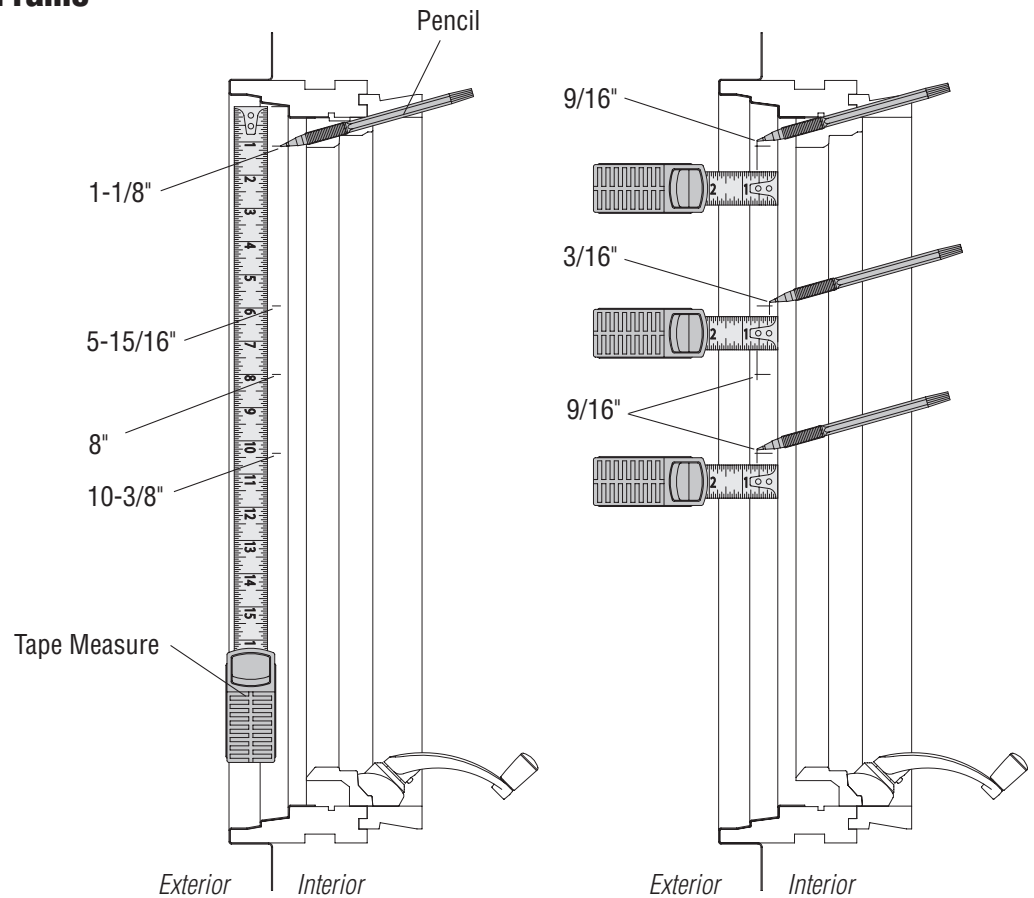
**CAUTION**  
**DO NOT** drill holes deeper than 3/8".  
 Glass damage may occur.

- Drill (3) 3/32" holes, 3/8" deep, using *Hinge* as a template.
- Fasten *Sash Arm* to sash using #8 x 5/8" *Screws*.
- Repeat for opposite side *Hinge Sash Arm*.

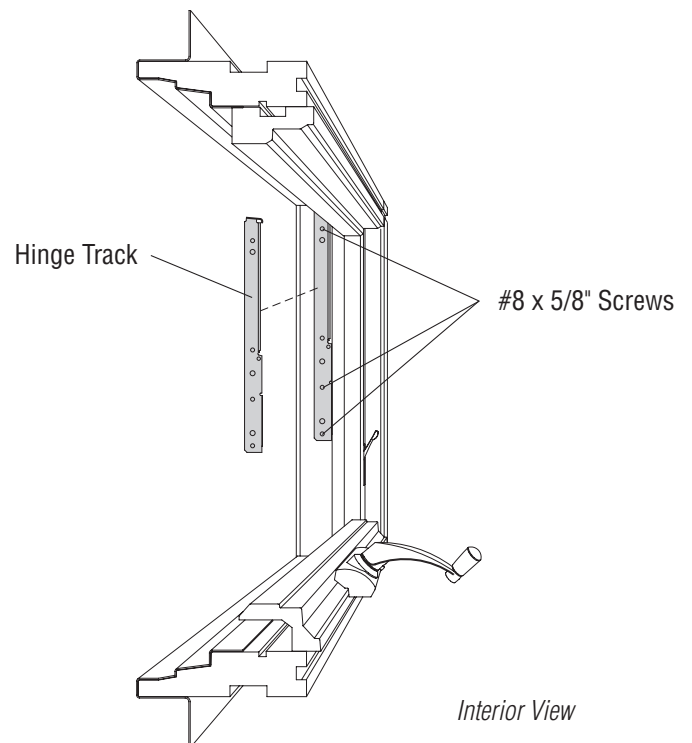


#### 4. Apply Hinge Tracks to Frame

- Mark *Hinge Track* screw hole locations for *Hinge Track* on frame as shown.
- Drill four  $\frac{3}{32}$ " holes,  $\frac{3}{8}$ " deep, at marked locations.

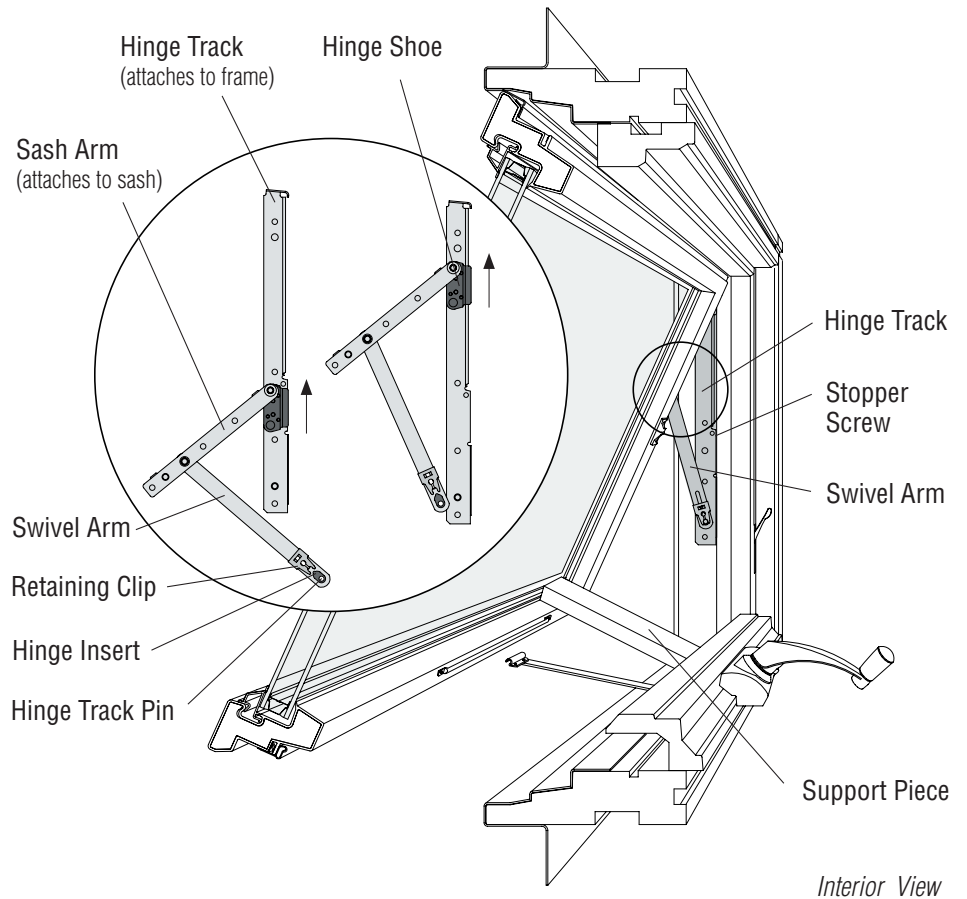


- Apply *Hinge Track* and fasten using three #8 x 5/8" *Screws* provided.
- Repeat for opposite side *Hinge Track*.



## 5. Install Sash

- Lift *Sash* into unit opening.
- Slide *Hinge Shoes* into *Hinge Tracks* up past *Stopper Screw* location.
- Attach *Swivel Arm* to pin on *Hinge Track* and snap retaining clips onto *Hinge Track Pins* using a flat blade screwdriver. Be careful to keep *Hinge Insert* attached to *Swivel Arm*. Repeat for opposite side.
- Place support piece, (i.e. piece of wood) between sill and bottom of sash.
- Install *Stopper Screws* on left and right *Hinge Tracks* while supporting sash.



## 6. Reattach Operator Arm

- Turn handle until *Operator Arm* is in open position.
- Reattach *Operator Shoe* to *Operator Rod* on sash.
- Check *Sash* and *Sash Locks* for smooth operation.
- Lubricate *Hinge Tracks* using white grease if needed.

