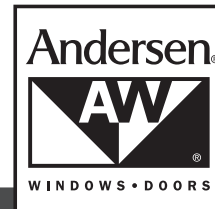


# Rekeying Reachout Exterior Keyed Lock

for Andersen® A-Series Gliding; 400 Series Frenchwood® Gliding; 200 Series Narroline® & Perma-Shield® Gliding Patio Doors and

400 Series Frenchwood® Gliding Patio Doors with Stormwatch® Protection



**INSTALLER: Please leave this guide with the building owner to file for future reference.**

Congratulations! You have just purchased one of the many fine Andersen® products. For ease of installation and continued enjoyment of your Andersen product, please read and follow this Instruction Guide completely. You may direct any questions about this or other products to your local Andersen dealer. Andersen dealers can be found in the Yellow Pages under Windows. Thank you for choosing Andersen®.

## ⚠ WARNING

Use caution when working at elevated heights and around unit openings. Follow manufacturer's instructions for safe use of ladder and/or scaffolding. Failure to do so may result in injury or death.

## ⚠ WARNING

Follow manufacturer's instructions for safe operation of hand/power tools. Always wear safety glasses. Failure to do so may result in injury and/or product damage.

## ⚠ WARNING

Windows and doors can be heavy. Use safe lifting techniques and a reasonable number of people with enough strength to lift, carry and install window and door products to avoid injury and/or product damage.

## ⚠ WARNING

Incorrect installation may affect egress and home security. Follow instruction guide to make sure hardware is installed correctly.

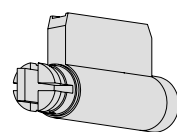
### Parts included

- (2) Replacement Keys
- (1) Replacement Exterior Key Cylinder
- (1) Replacement Gear

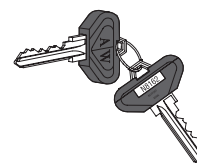
### Installation Tools Needed

- Safety Glasses
- #2 Phillips screwdriver
- Small flat blade screwdriver
- Lubricating Grease

### Component Identification



Replacement Exterior Key Cylinder



Replacement Keys



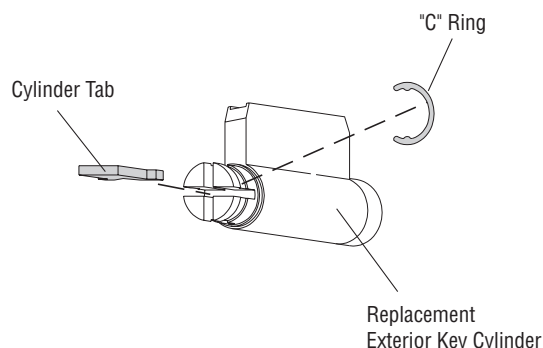
Replacement Gear

## 1. Remove "C" Ring and Cylinder Tab

### NOTICE

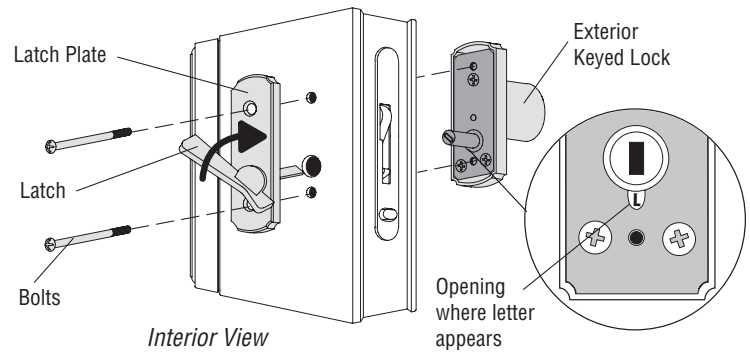
Estate™ hardware is shown in all procedures, Contemporary and Metro™ hardware follow the same procedures.

- With a small flat blade screwdriver, remove the outer "C" Ring on the end of the *Replacement Exterior Key Cylinder* and discard.
- Remove the *Cylinder Tab* on the end of the *Replacement Exterior Key Cylinder* and discard.



## 2. Remove Latch Plate and Exterior Keyed Lock

- Turn the *Latch* clockwise completely to the open position.
- With Phillips screwdriver, remove the 2 bolts on the *Latch Plate*. Remove *Latch Plate*.
- Remove the *Exterior Keyed Lock* on exterior of unit.
- Make note of letter (L or R) that appears in opening on back of *Exterior Keyed Lock*. Letter indicates if handing of door is left or right.

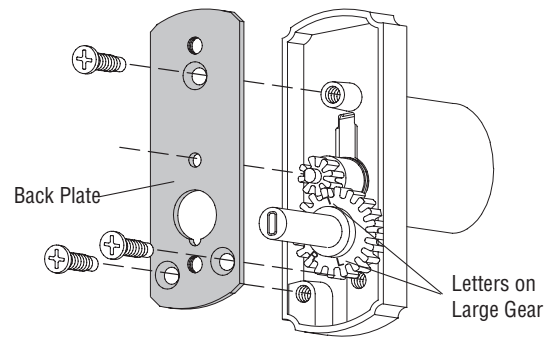


## 3. Remove Back Plate of the Exterior Keyed Lock

### NOTICE

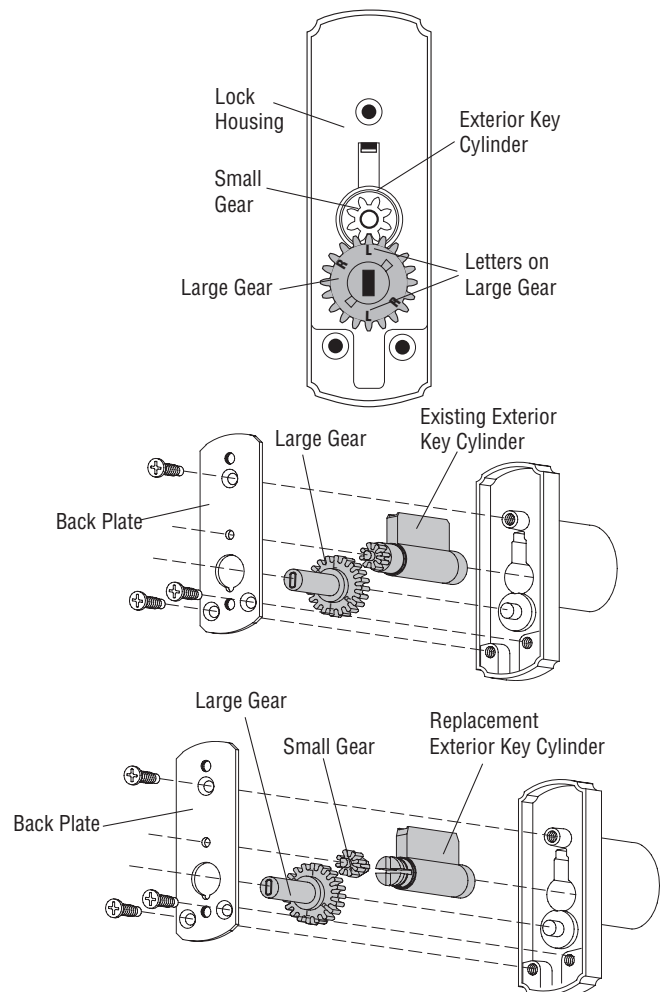
Make note of position of letters L and R on Large Gear where it aligns with the Small Gear. When reinstalling Large Gear, letters must be placed in former position in order for door to lock.

- Remove the *Key* from the *Exterior Keyed Lock*.
- Remove the 3 screws on the *Back Plate* with phillips screwdriver.
- Remove *Back Plate* being careful not to disturb internal parts.



## 4. Install Replacement Key Cylinder

- Make note of position of letters L and R on Large Gear where it aligns with the Small Gear. When reinstalling Large Gear, letters must be placed in former position.
- Remove the *Large Gear* and set aside.
- Remove the existing *Key Cylinder* from the *Lock Housing* and dispose of properly.
- Insert the *Replacement Exterior Key Cylinder* into the *Lock Housing*.
- Set *Small Replacement Gear* into slots on the back of the *Replacement Key Cylinder*.
- Apply a small amount of lubricating grease to the area where the *Small Gear* and *Back Plate* mate.
- Reinstall the *Large Gear*. Make sure the letters L and R are placed in the same position as when removed.
- Replace *Back Plate* on *Exterior Keyed Lock*. Make sure that a letter "L" or "R" appears in *Back Plate* opening.



## 5. Remount Exterior Keyed Lock and Latch Plate

- Remount *Exterior Keyed Lock* and *Latch Plate* on unit.
- Check operation of *Exterior Keyed Lock Assembly* by closing and locking unit.