

# Reglazing Guide

for Andersen® 400 Series Double-Hung Picture Windows

**Thank you for choosing Andersen.**

For questions call 1-888-888-7020. For more information and/or guides visit [andersenwindows.com](http://andersenwindows.com).

**Please leave this guide with building owner.**

► **Read guide from beginning to end before starting installation. Read all warnings and cautions during unit installation.**

## Parts Included in Glass Crate Part Number

(1) Instruction Guide	
(1) Glass Light	
(1) Silicone Sealant (Bed Glazing)	2902510
(1) 3/16" x 1/8" Lateral Glass Spacer	2230012

## Purchased Material Required Part Number

(Contact Your Andersen Dealer)

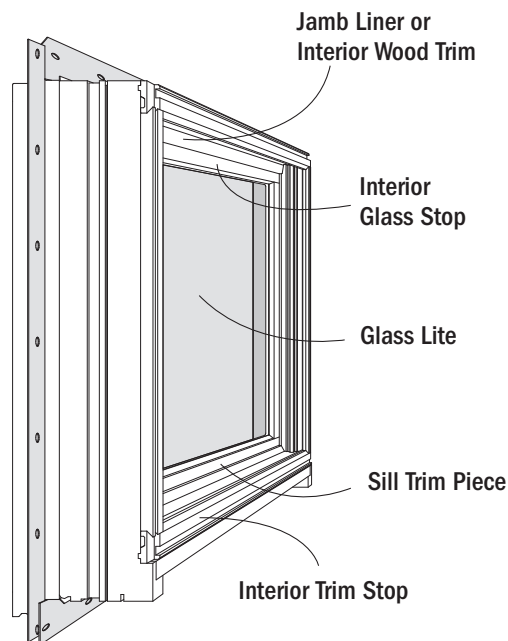
(1) Silicone Sealant (Fillet Bead)	White	2903021
<i>(Do not use for bed glazing)</i>	Terratone®	2903022
	Sandtone	2903023
	Forest Green	4230225

(1) #8 x 2" Screw  
 4d (1-1/2") Finish Nails

## Optional Material Part Number

Reuse existing sill glass spacers when possible

1/4" x 7/8" x 6" Sill Setting Block	2250105
1/8" x 7/8" x 6" Head and Side Spacers	2250109



*Interior View*

## Tools Needed

- Safety Glasses
- Hammer
- Thin Blade Putty Knife
- Nylon Putty Knife
- Flat Pry Bar
- Gloves
- Caulk Gun
- Nail Set
- Utility Knife
- Duct Tape
- Vise Grips
- Flat Blade Screwdriver
- 1/4" Wood Chisel
- Commercial Grade Glass Clamps
- Isopropyl Alcohol

► Determine if you have the skill level to perform this procedure. If you have any questions or concerns about your ability, contact a professional Andersen service provider to reglaze your window.

► Specialized tools are needed for grille removal prior to reglazing.

### ⚠ WARNING

Use caution when working at elevated heights and around unit openings. Follow manufacturers' instructions for ladders and/or scaffolding. Failure to do so may result in injury or death.

### ⚠ WARNING

Follow manufacturers' instructions for hand or power tools. Always wear safety glasses. Failure to do so may result in injury and/or product damage.

### ⚠ WARNING

Windows and doors can be heavy. Use safe lifting techniques and a reasonable number of people with enough strength to lift, carry and install window and door products to avoid injury and/or product damage.

### ⚠ WARNING

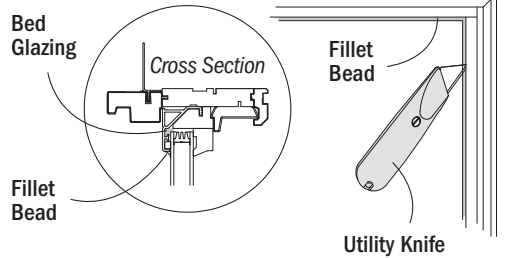
Unless specifically ordered, Andersen windows and doors are not equipped with safety glass, and if broken, could fragment causing injury. Many laws and building codes require safety glass in locations adjacent to or near doors. Andersen windows are available with safety glass that may reduce the likelihood of injury when broken. Information on safety glass is available from your local Andersen dealer.

### CAUTION

- Do not apply any type of film to glass. Thermal stress conditions resulting in glass damage could occur.
- Use of movable insulating materials such as window coverings, shutters, and other shading devices may damage glass and/or vinyl. In addition, excessive condensation may result causing deterioration of windows and doors.

## 1. Tape Glass and Cut Fillet Bead

View from exterior

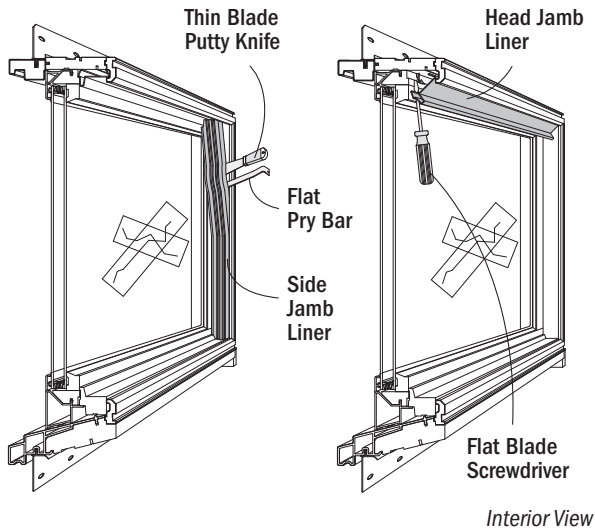


### ⚠ WARNING

Wear gloves, safety glasses, goggles, or eye shields when handling glass. Tape broken glass with duct tape before removal to reduce glass fragmentation.

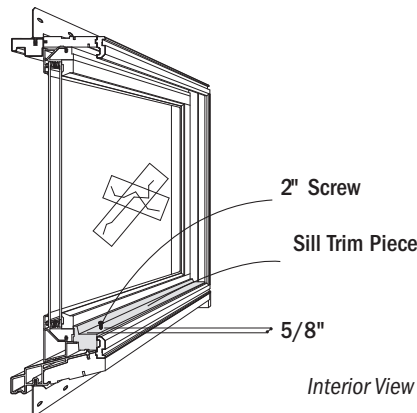
- Tape broken glass with duct tape.
- Working from the exterior, use a utility knife with blade fully extended to cut the fillet bead and bed glazing the full perimeter of the unit. Knife blade should penetrate through fillet bead 5/8" so it reaches bed glazing.

## 2. Remove Jamb Liners or Wood Trim Pieces



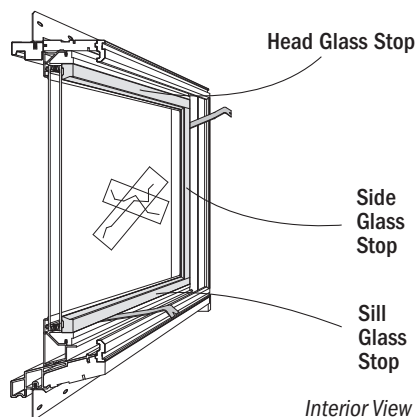
- Working from the interior, insert a flat pry bar between one of the side jamb liners and the interior trim stop, approximately 2" down from the head jamb. Carefully pry side jamb liner toward exterior and insert a thin blade putty knife at bottom of side jamb liner next to sill. Pry side jamb liner toward exterior and remove. Repeat procedure for opposite side jamb liner.
- Insert a flat blade screwdriver between head jamb liner and interior glass stop. Gently twist blade of screwdriver until head jamb liner can be grasped and removed.
- If unit has optional interior wood trim pieces, instead of liners, carefully break the varnish or paint seal with a thin blade putty knife or utility knife.
- Remove either interior side trim pieces first by driving a 2" screw approximately 1" deep at one end of the piece.
- Grasp screw head with vise grips and lift trim piece out of unit. Repeat procedure for opposite side and head interior trim piece.
- Using vise grips remove nails from interior trim pieces by pulling through the backside. Also remove nails, if any, left in jamb areas.
- Mark locations on back of interior trim pieces for reinstallation.

## 3. Remove Sill Trim Piece



- Drive screw approximately 1" deep into either end of sill trim piece. Locate screw no more than 5/8" away from side jamb to make sure screw hole will be covered by side jamb liner or trim.
- Grasp screw head with vise grips and lift sill trim piece out of unit.
- Use vise grips to remove nails from sill trim piece by pulling through backside. Also remove all nails left in the sill trim piece area if any.

## 4. Remove Interior Glass Stops

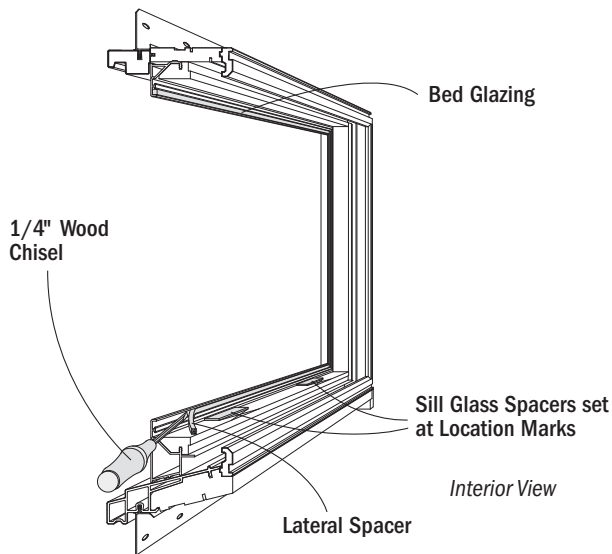


### ⚠ WARNING

Support glass panel at all times once removal of interior glass stops begins. Glass panel may fall inwards.

- Insert flat pry bar between one of side glass stops and frame. Carefully pry outwards along the entire length to remove. Repeat procedure to other side glass stop, sill glass stop and head glass stop.
- Using vise grips remove nails from glass stops by pulling through the backside. Also remove any remaining nails in glass stop areas.
- Mark location on back of glass stops for reapplication. These stops will be reused in the same locations.

## 5. Prepare Frame Area

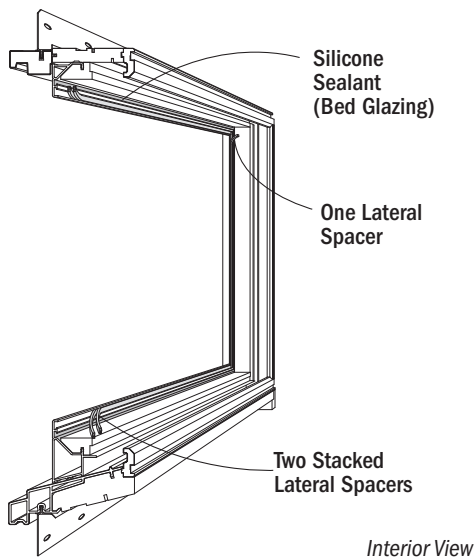


- Mark location of sill glass spacers on jamb in front of glass. These will be reused in the same locations. Remove and clean all silicone from sill glass spacers.
- Remove and discard head and side glass spacers if unit is presently installed in opening.
- Using a 1/4" wood chisel, remove all lateral spacers and silicone from the glazing lip and glazing bed area of the frame.
- Remove the old silicone from glazing lip and the frame for good adhesion of the new silicone sealant (bed glazing, included). Remove all loose pieces or strips of silicone and clean with mineral spirits.

### CAUTION

Check full perimeter of the frame glazing area for obstructions such as screws or nails that could chip glass and lead to breakage. Remove any obstructions if present.

## 6. Apply Lateral Spacer and Bed Glazing

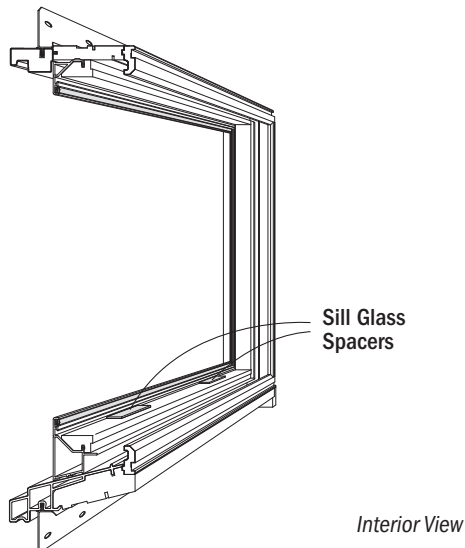


- Remove 3/16" x 1/8" lateral spacer from glass crating.
- Cut lateral spacer to match side lateral spacer edges. Do not extend lateral spacer into bed glazing area.
- Remove adhesive backing and apply one (1) 3/16" x 1/8" lateral spacer to each side stile. If necessary, use silicone to hold in place.
- Cut lateral spacer to match both top and bottom lateral spacer edges. Top and bottom rails require two stacked lateral spacer pieces each.
- Apply two (2) 3/16" x 1/8" lateral spacers on top of each other to equal 1/4" height for top and bottom rails.
- Prepare caulk gun with silicone sealant (bed glazing, included) for bed glazing unit.
- Apply a 1/4" diameter bead of silicone sealant (bed glazing, included) to full perimeter of glazing bed channel.

### CAUTION

Use caution when handling glass. Protect glass edges. Do not roll glass on edges or corners. Breakage or damage could occur.

## 7. Insert Glass



### CAUTION

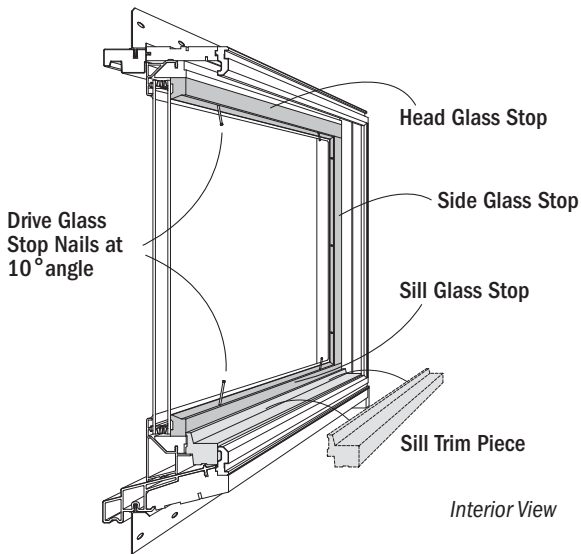
Make sure that glass logo is located at the bottom left corner of unit and is readable when viewed from the interior of room. This is critical for glass warranty and Low-E coating orientation. For optional High Altitude glass, make sure the breather tube, located on top of glass is not plugged or pinched during glazing process.

- Replace sill glass spacers in pre-marked positions.
- Carefully remove glass from crating.
- Set bottom edge of glass on sill glass spacers, push top portion into glazing bed.
- Center glass horizontally in opening. Use nylon putty knife to pry between glass and jamb to center glass, if needed.

### NOTICE

If unit is not installed in rough opening, apply top and side glass spacers tightly between glass edge and sash. If unit is installed in rough opening, top and side glass spacers are not necessary.

## 8. Reapply Glass Stops and Sill Trim Piece

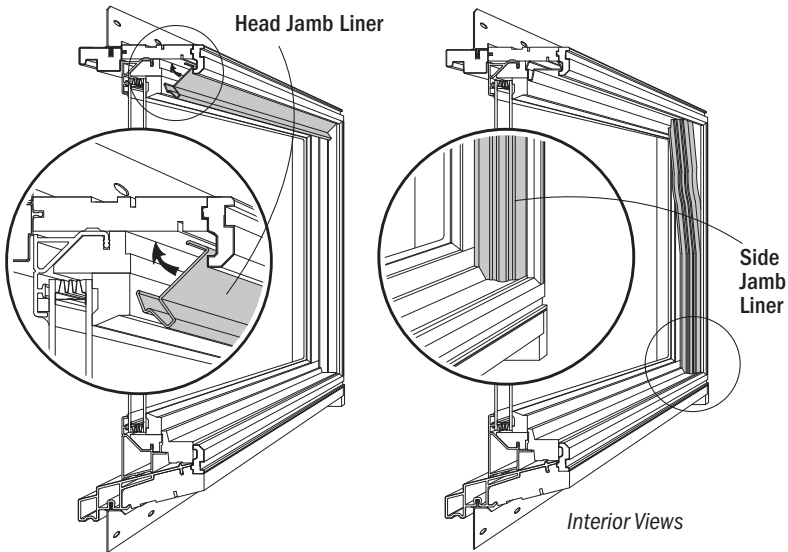


### NOTICE

Nail on flat portion of glass stops at a 10° angle to glass surface as illustrated. Failure to do so could result in glass edge damage and glass breakage.

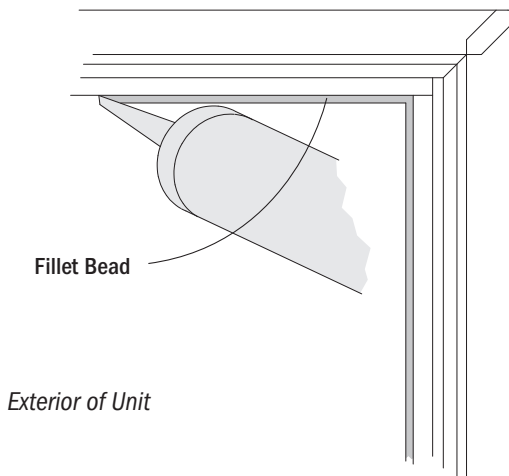
- Apply head glass stop to top of unit. Apply outward pressure on head glass stop to seat glass in bed glazing before nailing. Insure stop protrudes no more than a 1/32" from the frame. Secure with 4d (1-1/2") finishing nails. While nailing, push on stop to make sure glass is tight against lateral spacer.
- Apply sill glass stop, then side glass stops in above manner.
- Apply sill trim piece and secure with 4d (1-1/2") finishing nails.
- Set nail heads approximately 1/16".
- Use putty knife to apply wood filler to nail holes as needed.

## 9. Reapply Jamb Liners or Interior Wood Trim



- Insert long leg of head jamb liner into head pocket, push up on short leg to snap into place.
- Insert interior leg of side jamb liner behind interior trim strip, push in on exterior leg to snap into place. Repeat for opposite side.
- If unit has interior wood trim pieces, insert head trim piece in head jamb pocket, centering between jambs. Secure with 4d (1-1/2") finishing nails spacing approximately twelve inches apart.
- Insert either of the side trim pieces into side jamb pocket aligning the end notch to fit over the sill trim piece leg. Secure with 4d (1-1/2") finishing nails spacing approximately eight inches apart. Repeat for opposite side.
- Set nail heads approximately 1/16".
- Use putty knife to apply wood filler to nail holes as needed.

## 10. Apply Silicone Fillet Bead



### CAUTION

Do not use a metal knife or metal object against glass surface. Scratched or chipped glass could result.

- Wipe off the fillet area with a clean rag and isopropyl alcohol.
- Using a caulk gun and silicone sealant (fillet bead, purchased separately), or equivalent, color matched to the exterior of unit, apply a 3/16" fillet bead of silicone to the full perimeter of exterior seal between glazing lip and glass.

### NOTICE

If silicone is smeared on glass, wait until it cures before removing. Use a nylon knife to scrape off silicone. When scraping, apply a liberal amount of window cleaner to keep area lubricated.