

Reglazing Instructions

for Andersen® Circle Top™ Windows



IMPORTANT

Read all instructions carefully before attempting this procedure. If you have any questions about your ability to complete the procedure, call Andersen at 1-888-888-7020 for further direction. Andersen WindowCare® service center hours are Monday through Friday, 7AM to 7PM Central Time and Saturday, 8AM to 4PM Central Time. Thank you for choosing Andersen® products.

Important Safety, Assembly, and Installation Information

Proper assembly, installation and maintenance of Andersen products is essential if the benefits of experienced product design and engineering, quality materials, and skilled workmanship are to be fully attained. General recommendations regarding assembly and installation are guidelines only. Every assembly and installation is different (windloads, structural support, etc.) and, Andersen strongly recommends consultation with an Andersen supplier or an experienced contractor, architect, or structural engineer prior to the assembly and installation of any Andersen product. Assembly and installation of Andersen products is the sole responsibility of the architect, building owner, contractor and/or consumer and Andersen has no responsibility in this regard.

⚠ WARNING

Use of ladders and/or scaffolding and working at elevated levels may be hazardous. Follow equipment manufacturer's instructions for safe operation. Use extreme caution when working around window and door openings. Personal injury and/or falls could occur.

⚠ WARNING

Improper use of hand or power tools could result in personal injury and/or product damage. Follow equipment manufacturer's instructions for safe operation. Always wear safety glasses.

⚠ WARNING

Weight of window and door unit(s) and accessories will vary. Use a reasonable number of people with sufficient strength to lift, carry, and install window and door unit(s) and accessories. Always use appropriate lifting techniques.

⚠ CAUTION

- Unless specifically ordered, Andersen windows are not equipped with safety glass, and if broken, could fragment causing injury. Many laws and building codes require safety glass in locations adjacent to or near doors. Andersen windows are available with safety glass that may reduce the likelihood of injury when broken. Information on safety glass is available from your local Andersen dealer.
- Do not apply any type of film to glass. Thermal stress conditions resulting in glass damage could occur.
- The use of movable insulating materials such as window coverings, shutters, and other shading devices may damage glass and/or vinyl. In addition, excessive condensation may result causing deterioration of window unit.

Tools Required for Procedure

- Safety Glasses
- Gloves
- Thin Blade Putty Knife
- Small Pry Bar
- End Nippers
- 1/4" Wood Chisel
- Caulk Gun
- 1-3/4" (5d) Finish Nails
- Nylon Knife or Razor Blade

Parts Included

- Glazing Panel
- Dow Corning 791 Silicone Bed Glazing
- Glass Spacers

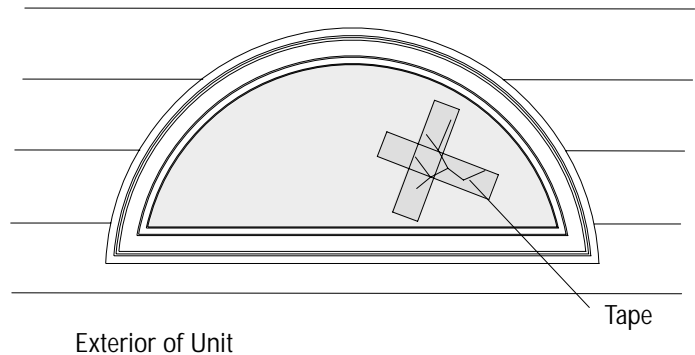
Other Material Required Available at your Andersen Supplier

- Silicone Primer
- Dow Corning Silicone Sealant 79 in Unit Color
White - Terratone - Sandtone

1. Apply Tape to Broken Glazing Panel**⚠ WARNING**

Wear gloves, safety glasses, goggles, or eye shields when handling glass. Tape broken glazing panel with filament or duct tape before removal to reduce glass fragmentation.

- Tape broken *Glazing Panel* using filament or duct tape.

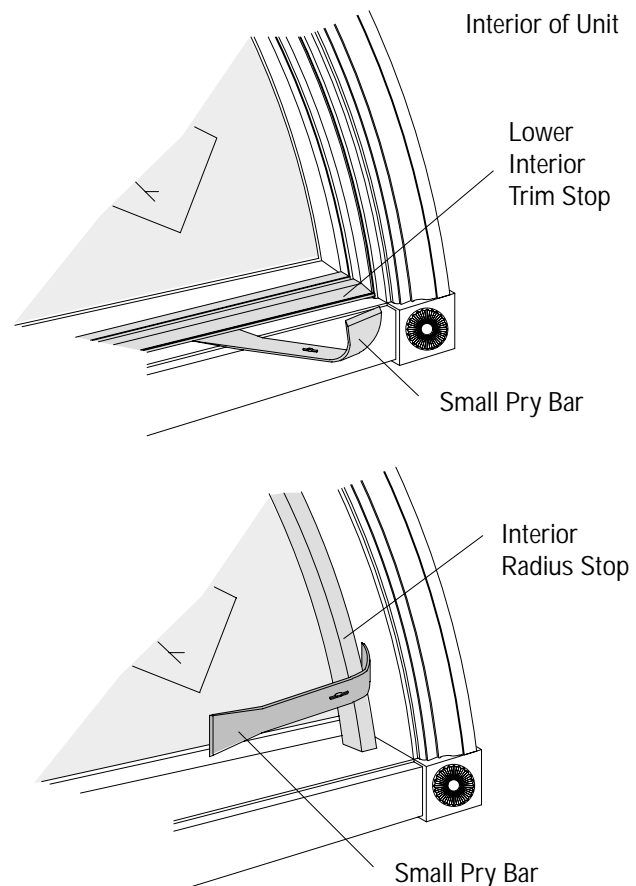
**2. Remove Interior Stops**

- Break the varnish or paint seal using a thin blade putty knife inserted between the *Lower Interior Trim Stop* and frame.
- Remove *Lower Interior Trim Stop* using a small pry bar inserted between the stop and frame.

⚠ CAUTION

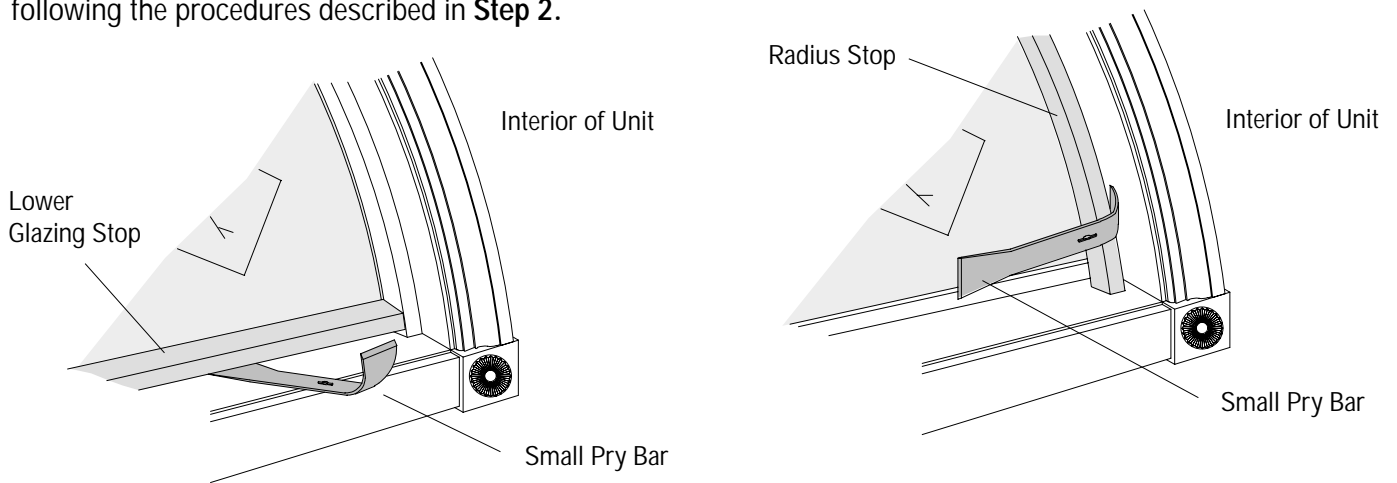
- Avoid scratching Extension Jambs and Interior Trim when removing the Interior Radius Stop.
- Remove Interior Radius Stop carefully. The Interior Radius Stop is made of laminated maple which is not flexible.

- Break the varnish or paint seal using a thin blade putty knife between the *Interior Radius Stop* and the frame.
- Insert a small pry bar between the *Interior Radius Stop* and the frame. Carefully pry outwards along the entire length to remove.
- Pull nails through backside of *Interior Radius Stop* using an end nippers.



3. Remove Lower Glazing Stop and Radius Stop

- Remove the *Lower Glazing Stop* and *Radius Stop* following the procedures described in **Step 2**.

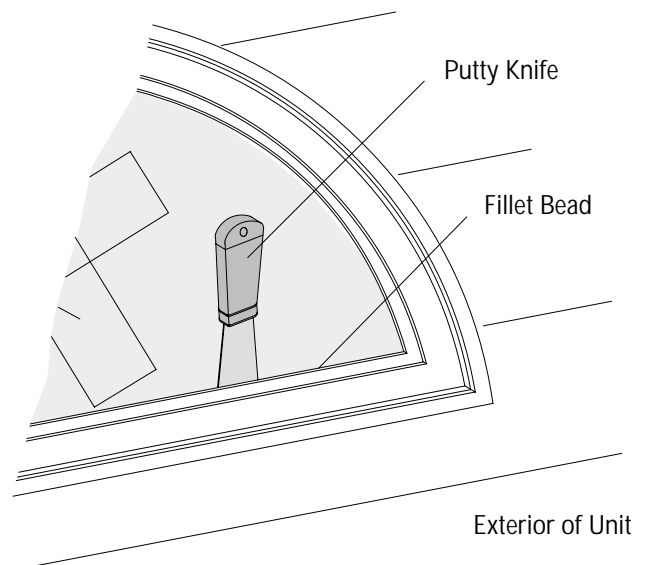


4. Cut Fillet Bead and Remove Glazing Panel

⚠ WARNING

Support Glazing Panel at all times one removal of interior Glass Stops begins. Glazing Panel may fall inwards.

- Cut *Fillet Bead* around the exterior between the *Glazing Panel* and outer frame using a thin blade putty knife. Repeat the process on the interior until the silicone bond is broken.
- Remove *Glazing Panel* toward the interior carefully.
- Dispose of *Glazing Panel* in an appropriate manner.

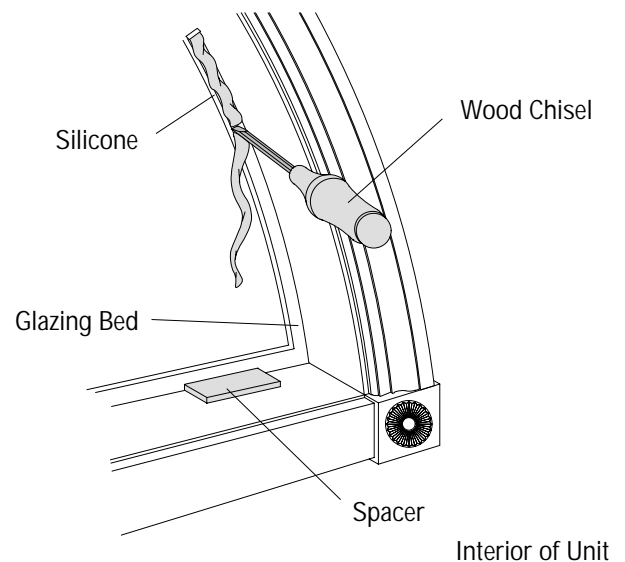


5. Prepare Glazing Bed Area

- Using a 1/4" wood chisel, remove silicone from *Glazing Bed* area.
- Remove all loose pieces or strips of silicone sealant and clean *Glazing Bed* area with denatured alcohol.
- Apply *Spacers* on the sill at quarter points.

⚠ CAUTION

Check full perimeter of the frame and glazing bed for obstructions such as screws or nails that could chip glass and lead to breakage. Remove any obstructions if present.



6. Apply Bed Glazing

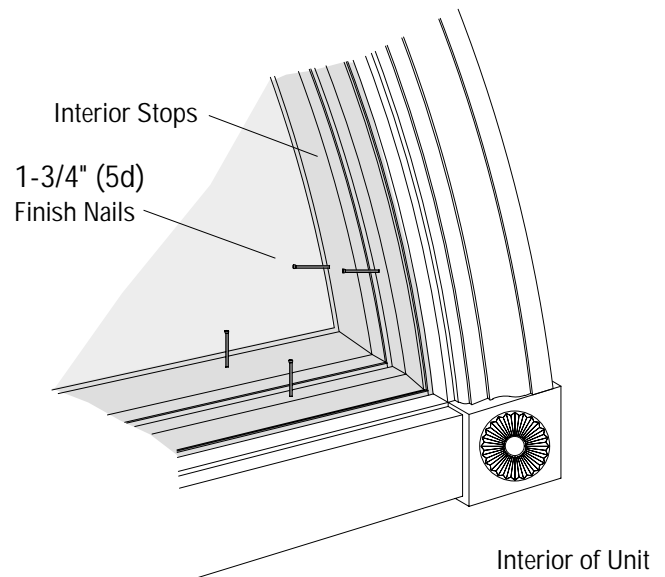
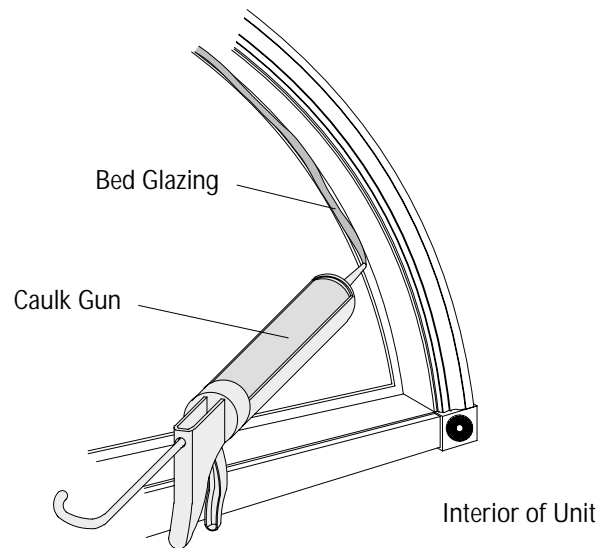
- Apply a 3/4" bead of clear Dow Corning 799 Silicone Bed Glazing (provided with glazing panel) into the Glazing Bed.

7. Insert Glazing Panel and Reinstall Stops

⚠ CAUTION

- Protect Glazing Panel from damage when handling. Do not roll on edges or corners.
- Make certain that glass logo is located at the bottom left corner of unit and is readable when viewed from the interior of room. This is critical for glass warranty and Low-E coating orientation. For optional High Altitude glass, make sure the breather tube, located on top of glass is not plugged or pinched during glazing process.
- Pre-drill stops if the same nail holes are not used or new stops are applied. Failure to do so could result in damage to the stops.

- Insert *Glazing Panel* in silicone bed and center in frame.
- Reinstall the *Radius Glazing Stop* and the *Lower Glazing Stop*.
- Reinstall the *Interior Radius Stop* and the *Interior Trim Stop*.
- Secure stops with 1-3/4" (5d) finish nails.
- Carefully set all nails with nail punch approximately 1/16" deep below wood surface. Fill nail holes with wood filler.



8. Apply Exterior Silicone Fillet Bead

- Wipe off fillet area with silicone primer and a clean rag.
- On the exterior, apply a 3/16" *Fillet Bead* between *Glazing Panel* and frame.

⚠ CAUTION

- Do not use a metal knife or metal object against glazing panel. Scratched or chipped glass could result.
- If silicone is smeared on glazing panel, wait until it cures before removing. Use a nylon knife or razor blade lubricated with silicone primer to remove.

