

Reglazing Guide

for Andersen® 400 Series Tilt-Wash Transom Windows with Stormwatch® Protection (PG Upgrade) Manufactured 2003 to June 2006



Thank you for choosing Andersen.

Instructions are for typical, new wood-framed wall construction with weather protection in place.

Instructions may not be right for all installations due to building design, construction materials or methods used and/or building or site conditions. Consult a contractor or architect for recommendations.

Flanges on the unit alone will not properly flash and seal the window. Follow these instructions carefully.

For questions call 1-888-888-7020 Monday - Friday, 7 a.m. to 7 p.m. and Saturday, 8 a.m. to 4 p.m. central time.

For more information and/or guides visit andersenwindows.com.

Please leave this guide with building owner.

► **Read guide from beginning to end before starting installation. Read all warnings and cautions during unit installation.**

Parts Included

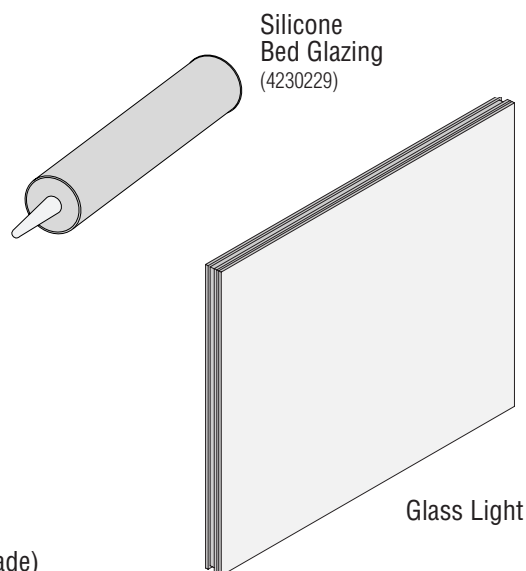
- (1) Instruction Guide
- (1) Glass Light
- (1) Silicone Bed Glazing
(4230229) Dow Corning 1350

Additional Part Needed

- Fillet Bead Silicone Sealant
(DO NOT use for bed glazing)
(2903008) White
(2902512) Sandtone
(2903010) Terratone®
(2903026) Forest Green

Tools and Supplies

- Safety Glasses
- Hammer
- Thin Blade Putty Knife
- Nylon Putty Knife
- Vise Grips
- Gloves
- Caulk Gun
- Nail Set
- 5d (1-3/4") Finish Nails
- #6 Drywall Screws
- Phillips Screwdriver
- Window Cleaner
- Isopropyl Alcohol
- Utility Knife
- Glass Clamps (commercial grade)
- Duct Tape
- Clean Rags



⚠ WARNING

Use caution when working at elevated heights and around unit openings. Follow manufacturers' instructions for ladders and/or scaffolding. Failure to do so may result in injury or death.

⚠ WARNING

Follow manufacturers' instructions for hand or power tools. Always wear safety glasses. Failure to do so may result in injury and/or product damage.

⚠ WARNING

Windows and doors can be heavy. Use safe lifting techniques and a reasonable number of people with enough strength to lift, carry and install window and door products to avoid injury and/or product damage.

⚠ WARNING

Unless specifically ordered, Andersen windows and doors are not equipped with safety glass, and if broken, could fragment causing injury. Many laws and building codes require safety glass in locations adjacent to or near doors. Andersen windows are available with safety glass that may reduce the likelihood of injury when broken. Information on safety glass is available from your local Andersen dealer.

CAUTION

- Andersen® Head Flashing and Installation Flanges DO NOT take the place of standard window and door flashing. Unit must be properly flashed and sealed with silicone for protection against water and air infiltration. Use non-reflective flashings. Highly reflective flashing tapes can raise the surface temperature of the vinyl to the point where vinyl deformation and product damage may occur.
- Do not apply any type of film to glass. Thermal stress conditions resulting in glass damage could occur.
- Use of movable insulating materials such as window coverings, shutters, and other shading devices may damage glass and/or vinyl. In addition, excessive condensation may result causing deterioration of windows and doors.

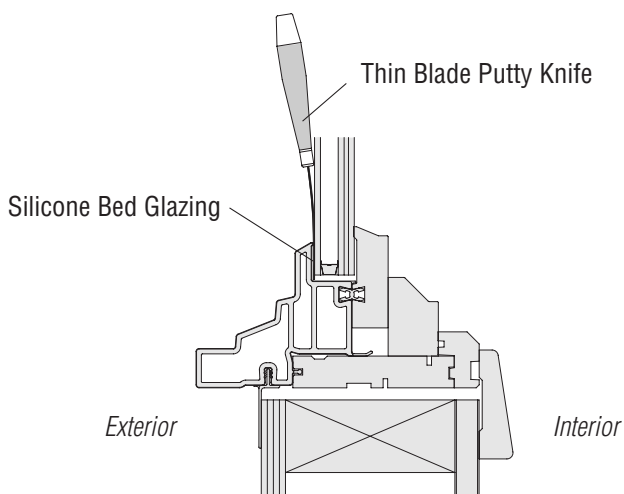
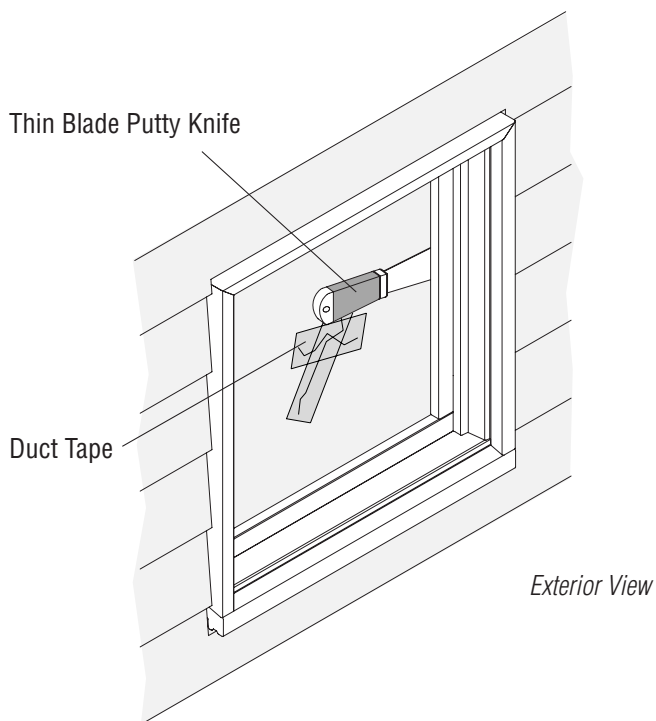
IMPORTANT

- This procedure requires a high level of construction skill. If you do not possess a high level of skill in construction, window installation or re-glazing, Andersen recommends that you contact a qualified Andersen service provider to re-glaze your window.
- To determine if you have the appropriate level of skill to properly and safely perform this procedure, read through the instruction manual. If you have any questions or concerns about your ability to complete this procedure, contact a professional Andersen service provider to complete this work for you.
- If your Tilt-Wash Transom unit has grilles applied to the glass, these grilles need to be removed prior to reglazing. Since specialized tools are required to remove the grilles, it is recommended that the reglazing procedure be done by a professional Andersen service provider.

1. Cut Bed Glazing**⚠ WARNING**

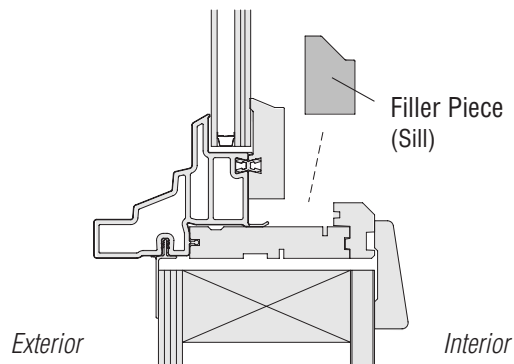
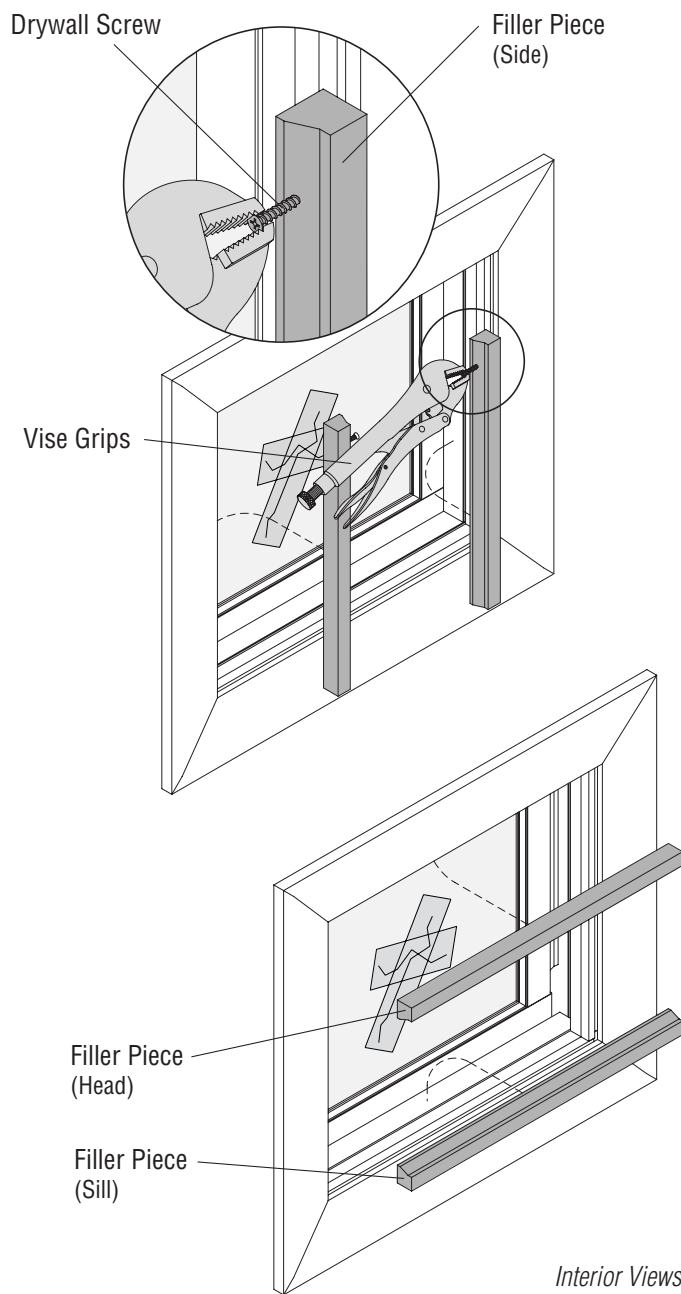
Wear gloves, safety glasses, goggles, or eye shields when handling glass. Tape broken glass with duct tape before removal to reduce glass fragmentation. Failure to do so may result in severe personal injury, product, and/or property damage.

- Tape broken glass with duct tape to reduce glass fragmentation.
- Cut exterior silicone bed glazing between glass and outer frame member 5/8" deep, full perimeter, using a thin blade putty knife, working from the interior.



2. Remove Filler Pieces

- Fasten a #6 drywall screw into end of side *Filler Piece* 1/2" deep.
- Pull inward on screw using a vise grips to remove *Filler Piece*.
- Record original location on back side of *Filler Piece* and retain for reuse.
- Repeat for opposite side *Filler Piece*.
- Repeat for head and sill *Filler Pieces*.
- Pull remaining nails through back side of *Filler Piece* using a vise grips.



3. Remove Interior Glass Stops and Glass

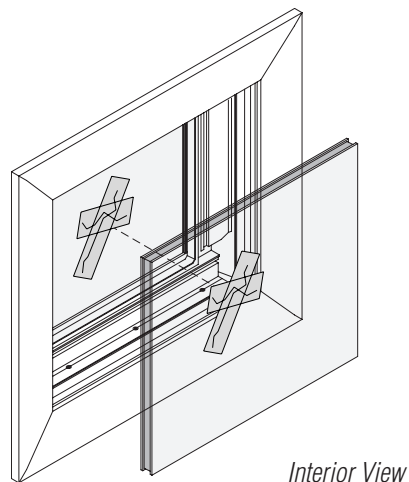
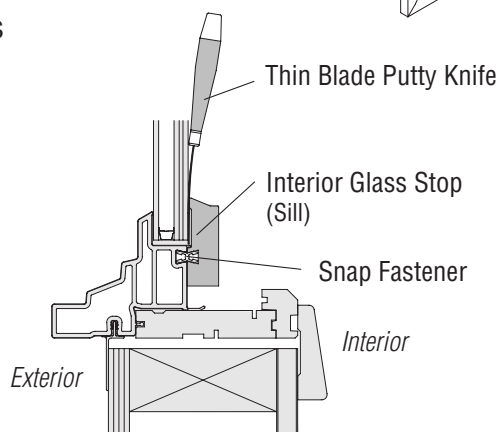
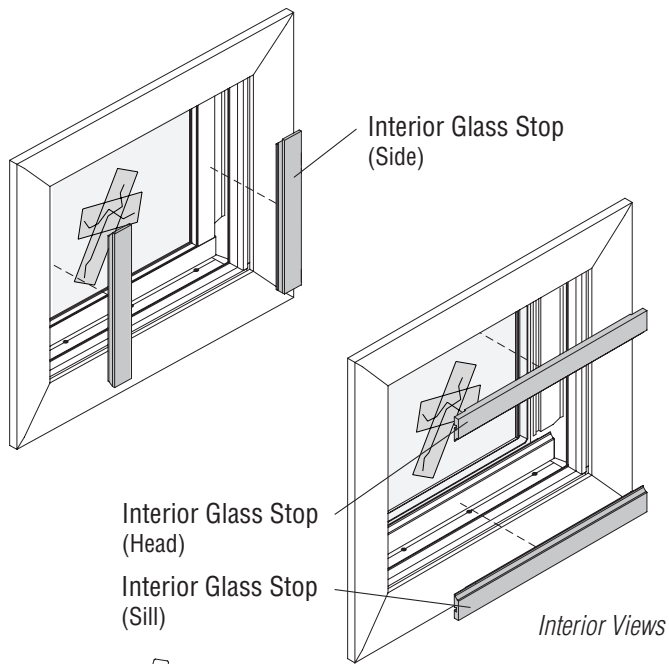
⚠ WARNING

Support Glass Panel at all times once removal of Interior Glass Stops begins. Glass Panel may fall inward resulting in personal injury, product, and/or property damage.

⚠ WARNING

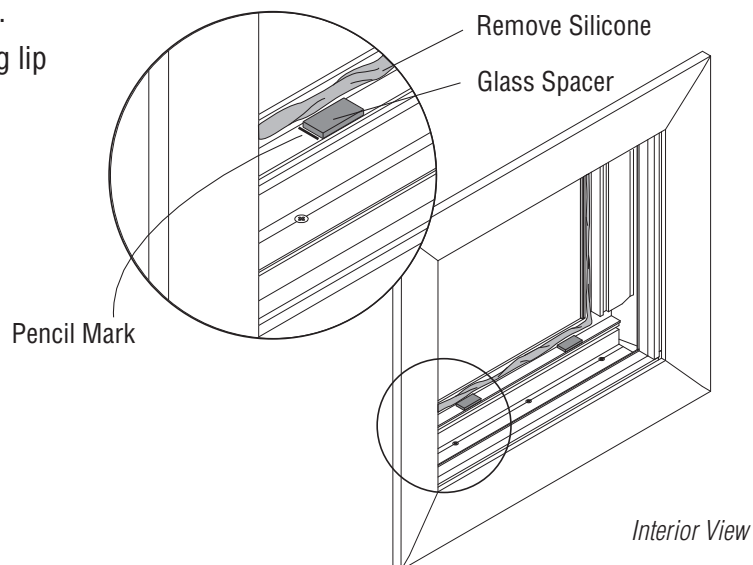
Use extreme care when working around window opening. Never leave a window opening unattended, especially when children are present. Falling from window opening may result in personal injury or death.

- Insert a thin blade putty knife between side *Interior Glass Stop* and glass. Pry *Glass Stop* away from glass until released from *Snap Fasteners*.
- Record original location on back side of *Interior Glass Stop* and retain for reuse.
- Repeat for opposite side *Interior Glass Stop*.
- Repeat for head and sill *Interior Glass Stops*.
- Carefully remove and dispose of broken glass.



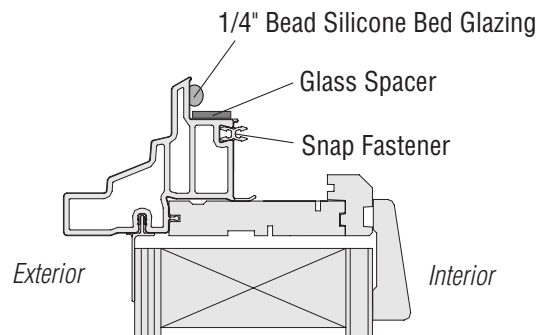
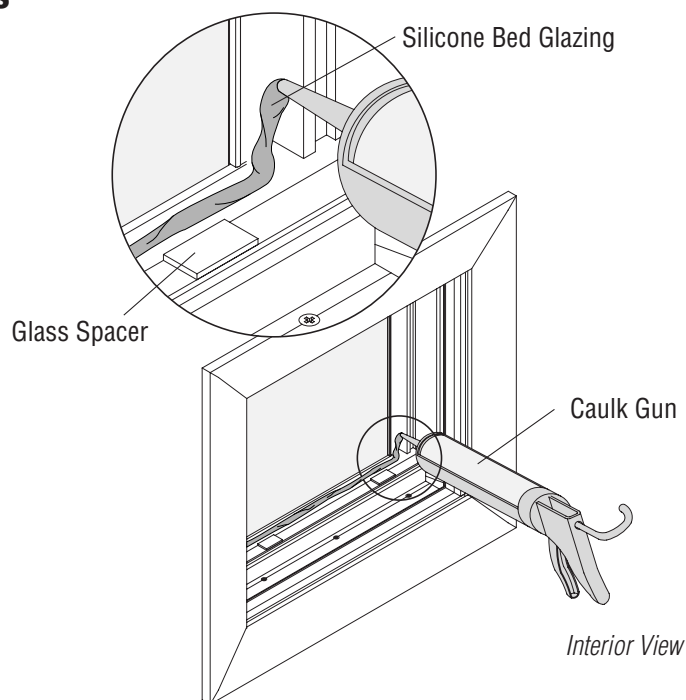
4. Clear and Clean Window Opening

- Mark location of sill *Glass Spacers* for reapplication.
- Remove *Glass Spacers* and old silicone from glazing lip on perimeter of frame.
- Clean glazing lip using isopropyl alcohol and air dry.



5. Apply Silicone Bed Glazing and Glass Spacers

- Apply a 1/4" bead of *Silicone Bed Glazing* to glazing lip, full perimeter on frame.
- Apply a small amount of *Silicone Bed Glazing* on bottom of each sill *Glass Spacer*.
- Position sill *Glass Spacers* on locations marked in **Step 4**.



6. Apply Glass and Interior Glass Stops

⚠ WARNING

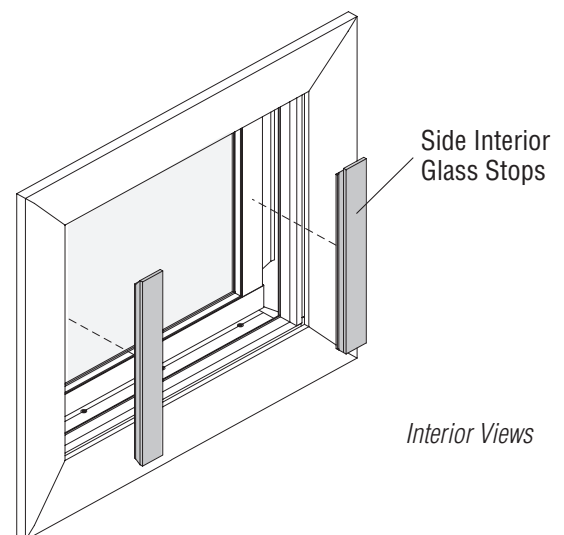
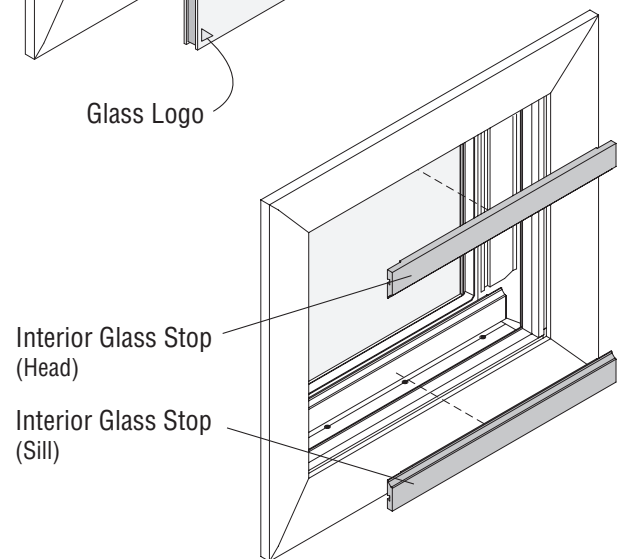
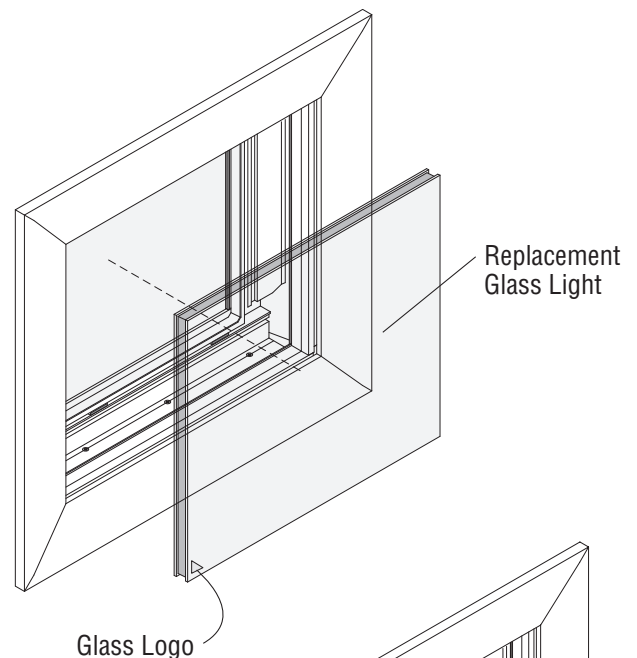
Weight of glass will vary. Use a reasonable number of people with sufficient strength to lift, carry, and install glass. Always use appropriate lifting techniques.

⚠ WARNING

Support Glass Panel at all times once removal of Interior Glass Stops begins. Glass Panel may fall inward resulting in personal injury, product, and/or property damage.

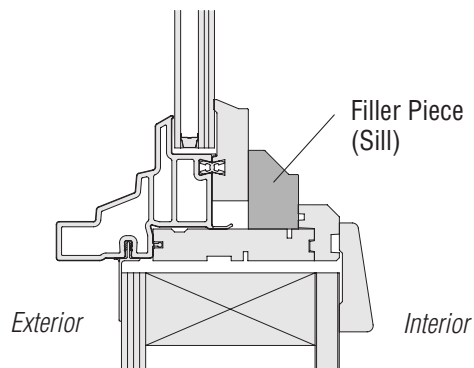
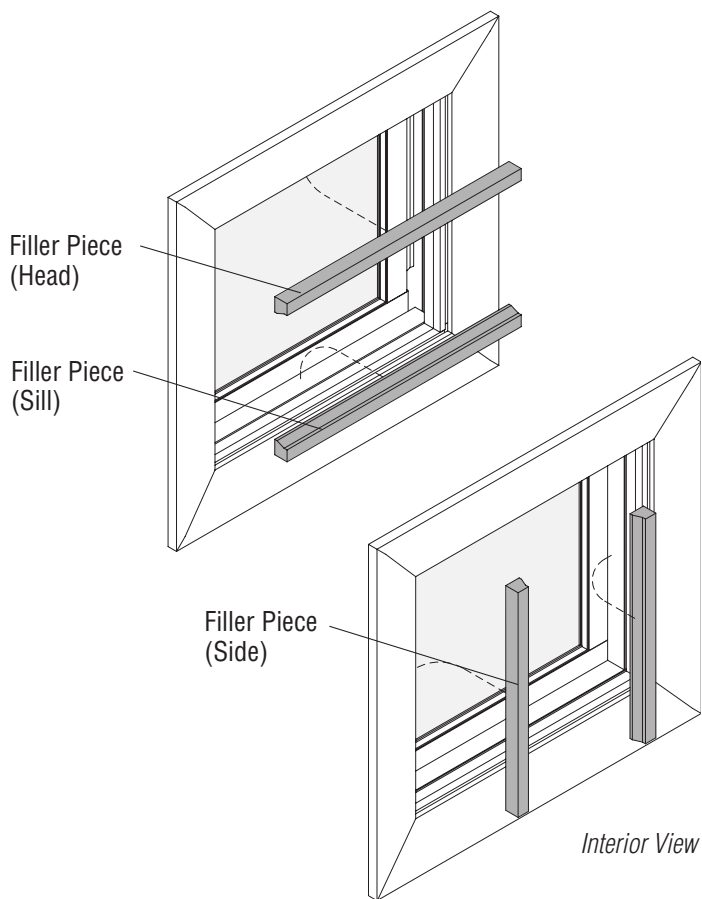
⚠ CAUTION

- Use caution when handling glass, protect glass edges, and **DO NOT** roll glass on edges or corners to avoid breakage or damage.
 - For high altitude glass, make sure breather tube (located at the top of the glass) is not plugged or pinched during procedure.
 - **DO NOT** use a metal knife and/or metal objects against glass surface to avoid scratching or chipping.
- Remove glass from crating, clean glass edge with isopropyl alcohol, and air dry.
 - Lift glass into opening, setting bottom edge of glass on *Glass Spacers*. Push top portion of glass into *Silicone Bed Glazing*. Glass logo must be located in the bottom left corner of unit, legible from the interior. Glass logo is critical for glass limited warranty information and Low-E coating orientation.
 - Center glass horizontally in opening using a **nylon** putty knife.
 - Reapply *Head and Sill Interior Glass Stops* (as labeled) by pressing onto *Snap Fasteners*.
 - Reapply *Side Interior Glass Stops* (as labeled) by pressing onto *Snap Fasteners*.



7. Reapply Filler Pieces

- Reapply head and sill *Filler Pieces* (as labeled) and fasten using 1-3/4" finish nails.
- Repeat for side *Filler Pieces*.



8. Apply Fillet Bead

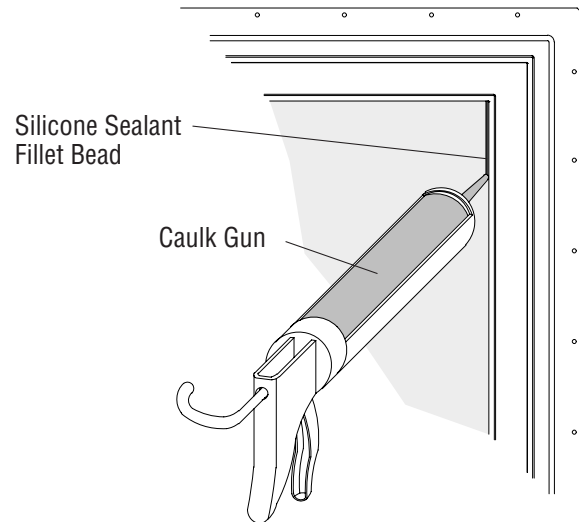
CAUTION

DO NOT use a metal knife and/or metal objects against glass surface to avoid scratching or chipping.

NOTICE

Wait until silicone sealant cures before removing. Use a nylon putty knife along with window cleaner to avoid product damage.

- Clean glazing lip and glass where fillet bead will be applied using isopropyl alcohol and air dry.
- Apply a 3/16" fillet bead of color matching silicone sealant (not provided), full perimeter, between glazing lip and glass from the exterior.



Exterior View