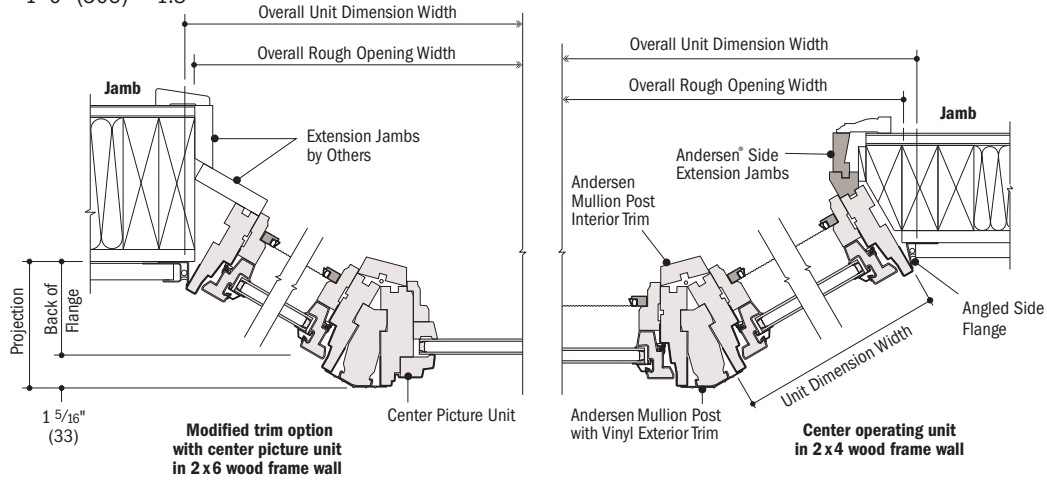


Casement 30° Angle Bay Window Detail

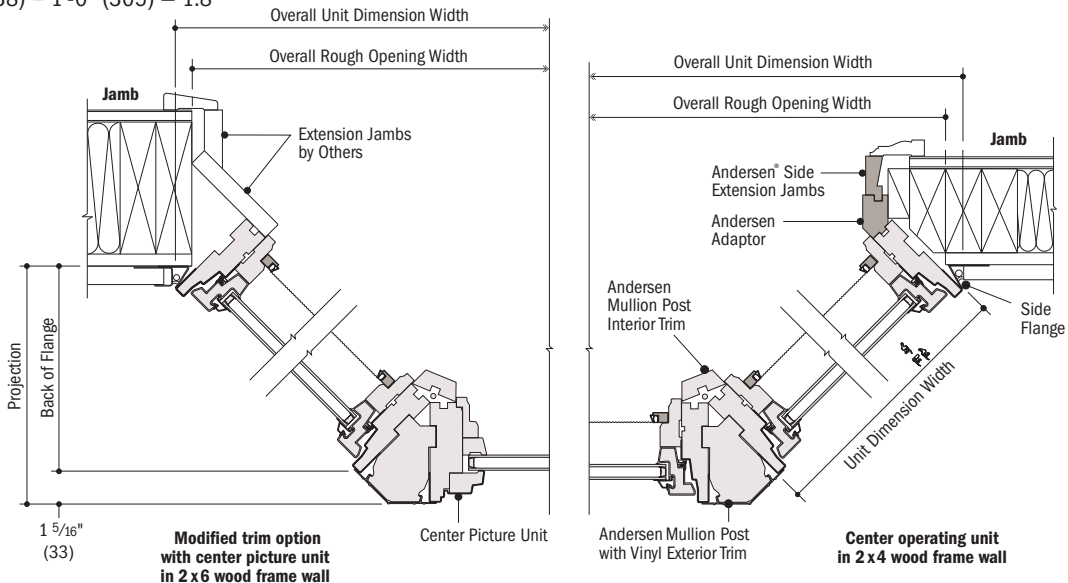
Scale 1 1/2" (38) = 1'-0" (305) – 1:8



Horizontal Section

Casement 45° Angle Bay Window Detail

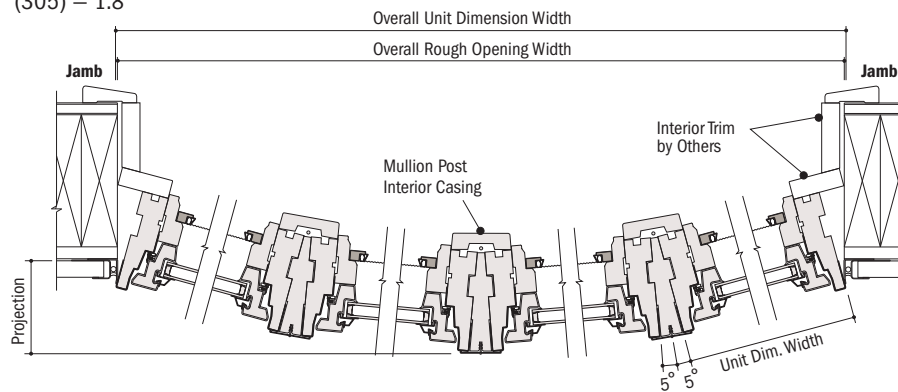
Scale 1 1/2" (38) = 1'-0" (305) – 1:8



Horizontal Section

Casement 10° Bow Window Detail

Scale 1 1/2" (38) = 1'-0" (305) – 1:8



Horizontal Section

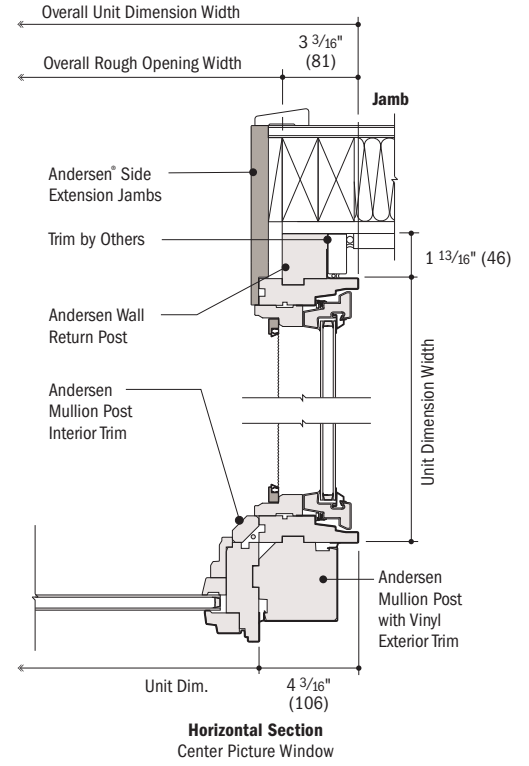
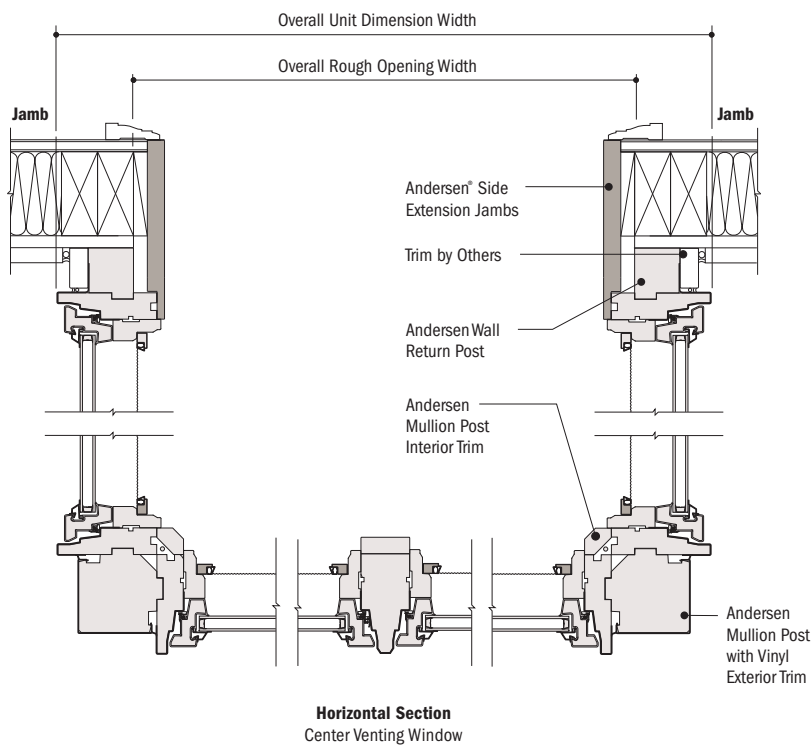
- Light-colored areas are parts included with window. Dark-colored areas are additional Andersen® parts required to complete window assembly as shown.
- **Minimum rough openings may need to be increased to allow for use of building wraps, flashing, sill panning, brackets, fasteners or other items.**
- Details are for illustration only and are not intended to represent product installation methods or materials. Refer to unit installation guides at andersenwindows.com.
- Dimensions in parentheses are in millimeters.

400 SERIES BAY & BOW WINDOWS



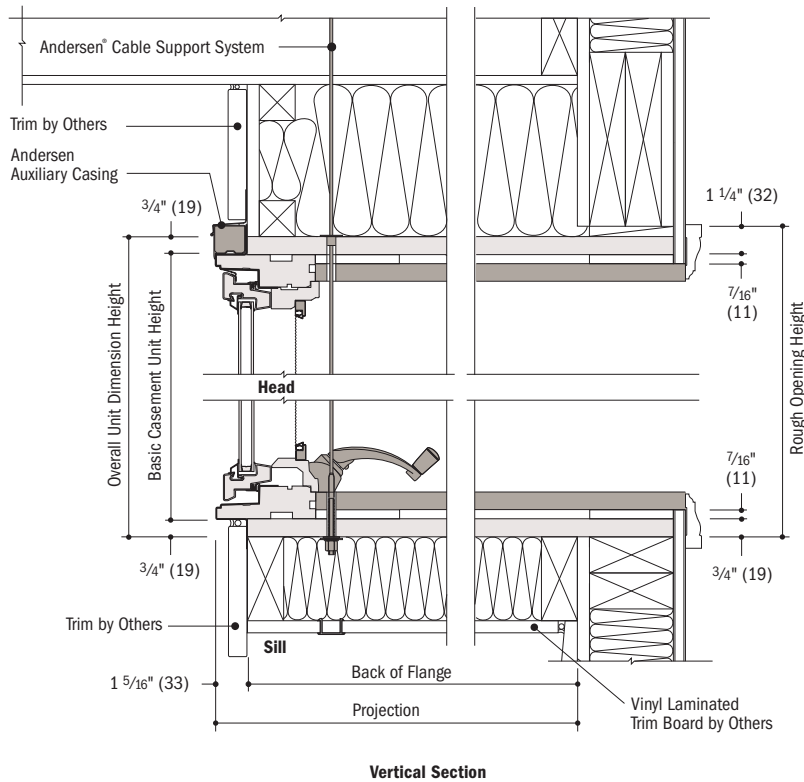
Casement 90° Box Bay Window Details

Scale 1 1/2" (38) = 1'-0" (305) – 1:8



Casement 30° and 45° Angle Bay, 10° Bow and 90° Box Bay Window Detail

Scale 1 1/2" (38) = 1'-0" (305) – 1:8



- Light-colored areas are parts included with window. Dark-colored areas are additional Andersen® parts required to complete window assembly as shown.
- **Minimum rough openings may need to be increased to allow for use of building wraps, flashing, sill panning, brackets, fasteners or other items.**
- Details are for illustration only and are not intended to represent product installation methods or materials. Refer to unit installation guides at andersenwindows.com.
- Dimensions in parentheses are in millimeters.