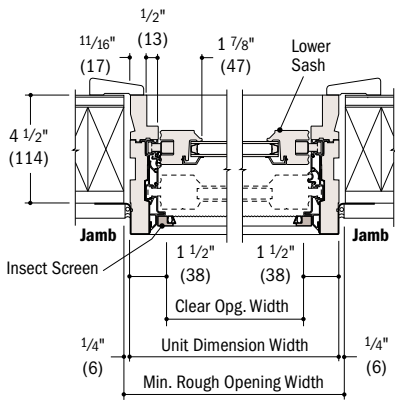
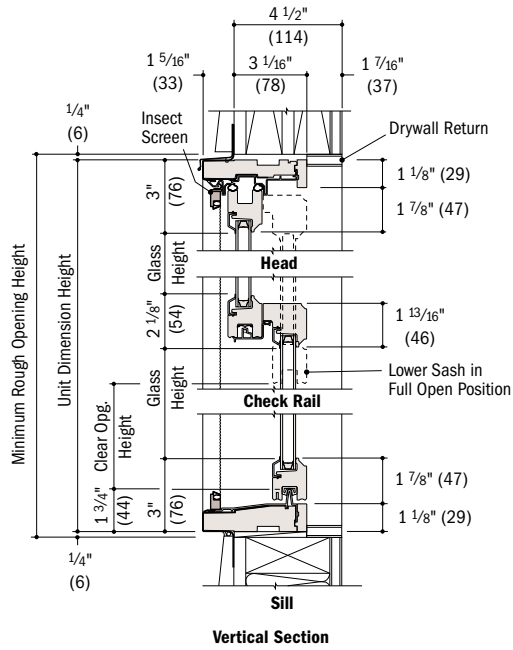


Tilt-Wash Double-Hung Window Details

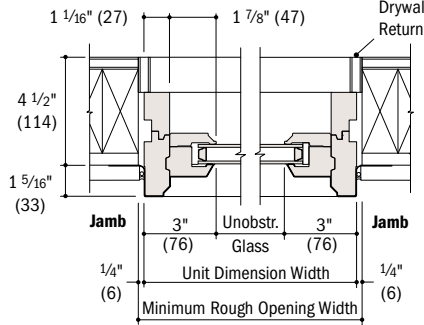
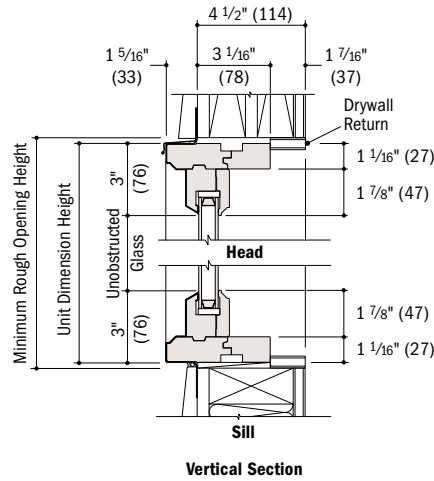
Scale 1 1/2" (38) = 1'-0" (305) – 1:8



Horizontal Section

Tilt-Wash Picture/Transom Window Details

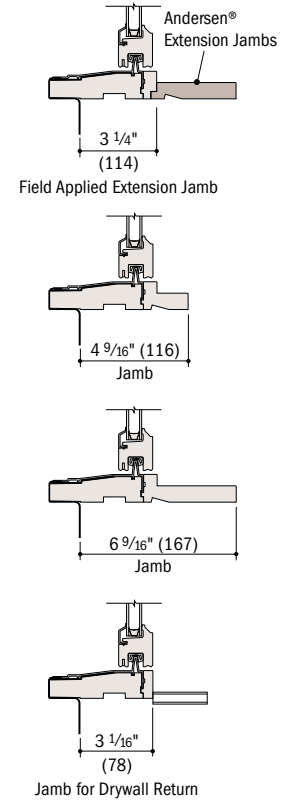
Scale 1 1/2" (38) = 1'-0" (305) – 1:8



Horizontal Section

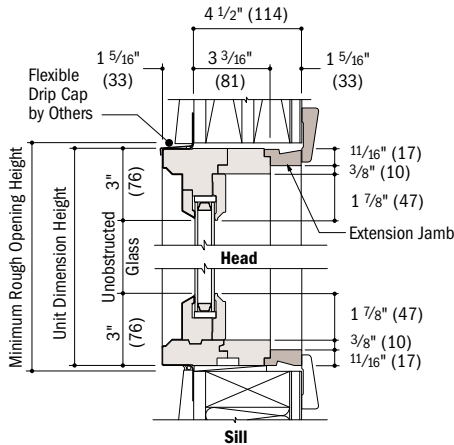
Extension Jamb Details

Scale 1 1/2" (38) = 1'-0" (305) – 1:8



Tilt-Wash Half Circle Window Detail

Scale 1 1/2" (38) = 1'-0" (305) – 1:8



Vertical Section

- Light-colored areas are parts included with window. Dark-colored areas are additional Andersen® parts required to complete window assembly as shown.
- **Rough openings may need to be increased to allow for use of building wraps, flashing, sill panning, brackets, fasteners or other items.**
- Details are for illustration only and are not intended to represent product installation methods or materials. Refer to product installation guides at andersenwindows.com.
- Dimensions in parentheses are in millimeters.