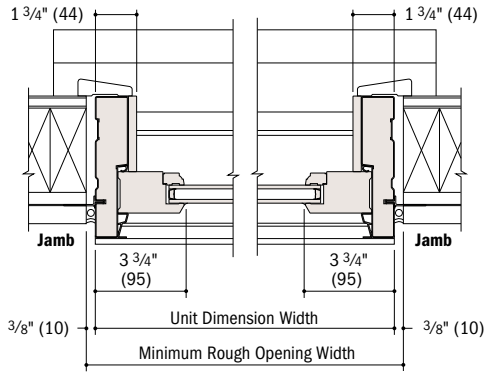


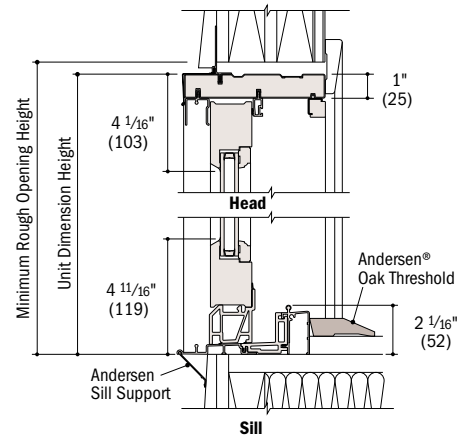
# NARROLINE® GLIDING PATIO DOORS

## Narroline® Gliding Patio Door Details

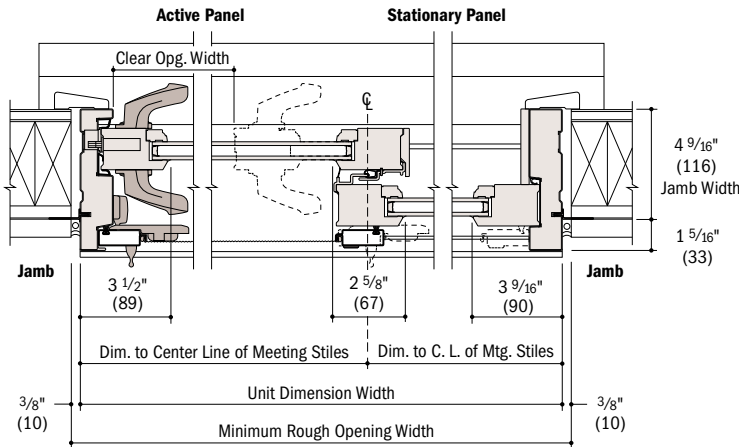
Scale 1 1/2" (38) = 1'-0" (305) – 1:8



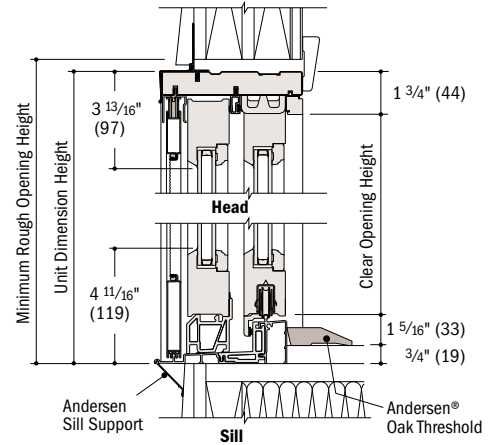
**Horizontal Section**  
Stationary



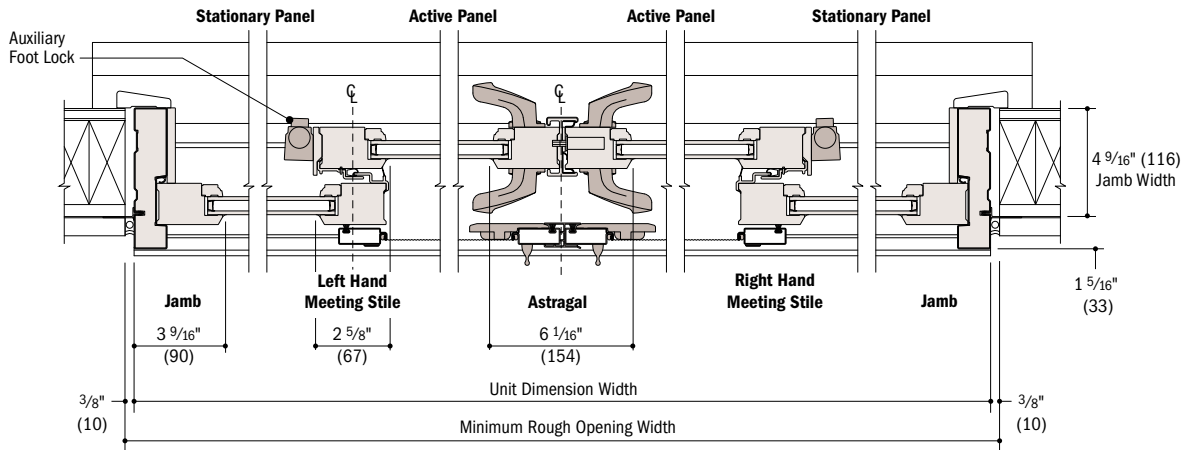
**Vertical Section**  
Stationary



**Horizontal Section**  
Two-Panel



**Vertical Section**

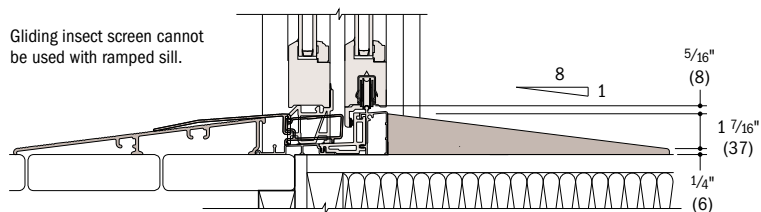


**Horizontal Section**  
Four-Panel

- 4 9/16" (116) jamb width measurement is from backside of installation flange.
- Light-colored areas are parts included with door. Dark-colored areas are additional Andersen® parts required to complete door assembly as shown.
- **Rough openings may need to be increased to allow for use of building wraps, flashing, sill panning, brackets, fasteners or other items.**
- Details are for illustration only and are not intended to represent product installation methods or materials. Refer to product installation guides at andersenwindows.com.
- Dimensions in parentheses are in millimeters.

**Sill Ramp Detail**

Scale 1 1/2" (38) = 1'-0" (305) – 1:8



**Vertical Section**

- Light-colored areas are parts included with window. Dark-colored areas are additional Andersen® parts required to complete window assembly as shown.
- **Rough openings may need to be increased to allow for use of building wraps, flashing, sill panning, brackets, fasteners or other items.**
- Details are for illustration only and are not intended to represent product installation methods or materials. Refer to product installation guides at [andersenwindows.com](http://andersenwindows.com).
- Andersen recommends installation of doors into separate rough openings. Consult with an architect or structural engineer regarding minimum requirements for structural support members between adjacent rough openings.
- Dimensions in parentheses are in millimeters.