

# Narrow Mullion



## for Andersen® Gliding and Frenchwood® Gliding Patio Doors

Congratulations! You have just purchased one of the many fine Andersen® products. For ease of assembly and installation and continued enjoyment of your Andersen® product please read and follow this Installation Guide completely. You may direct any questions about Andersen® products to your local Andersen® dealer. Andersen® dealers can be found in the Yellow Pages under Windows.

Installer: Please leave the Installation Guide with the building owner to file for future reference. Thank you for choosing Andersen®.

### Importance of Proper Assembly and Installation

Proper assembly, installation, and maintenance of Andersen products are essential if the benefits of experienced product design and engineering, quality materials, and skilled workmanship are to be fully attained. General recommendations regarding assembly and installation are guidelines only. Every assembly and installation is different (windloads, structural support, etc.), and Andersen strongly recommends consultation with an Andersen supplier or an experienced contractor, architect, or structural engineer prior to the assembly and installation of any Andersen product. Assembly and installation of Andersen products is the sole responsibility of the architect, building owner, contractor and/or consumer and Andersen has no responsibility in this regard.

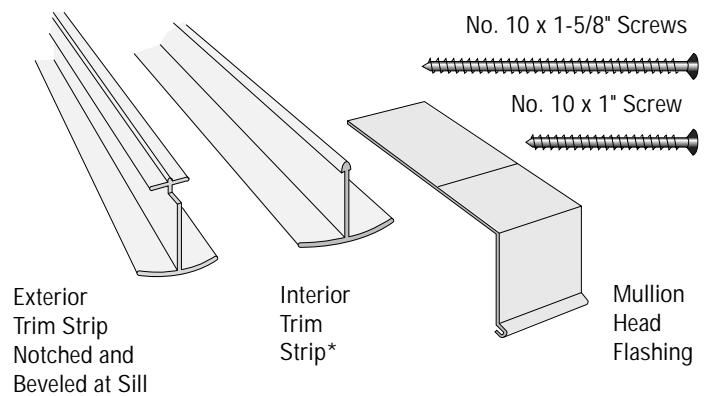
### Parts Included

- (1) Exterior Trim Strip
- (1) Interior Trim Strip\*
- (1) Mullion Head Flashing
- (8) No. 10 x 1-5/8" Screws
- (1) No. 10 x 1" Security Screw
- (1) Tube of Silicone Sealant

### Installation Tools and Supplies Needed:

- Safety Glasses
- Hammer
- No. 2 Phillips Head Screwdriver
- Masking Tape
- Utility Knife
- Wood Block

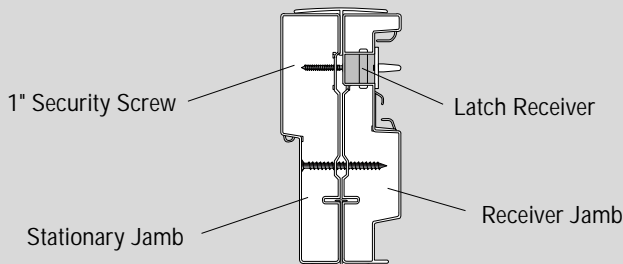
### Component Identification



\* Interior Trim Stop is not included with Frenchwood Gliding Door Kit

### CAUTION

The 1" Security Screw included in this kit will be used in place of the 3" Latch Receiver Security Screw included in the Trim Set. The 1" screw will not damage the Stationary jamb. Refer to Trim Set Installation Guide when units are completely installed.



### CAUTION

Do not use Narrow Mullion Joining Kit to join Doors receiver jamb to receiver jamb. When joining doors receiver jamb to receiver jamb a Support Mullion Joining Kit (AW part # 0004341) must be used.

### WARNING

Improper use of hand or power tools could result in personal injury and/or product damage. Follow equipment manufacturer's instructions for safe operation. Always wear safety glasses.

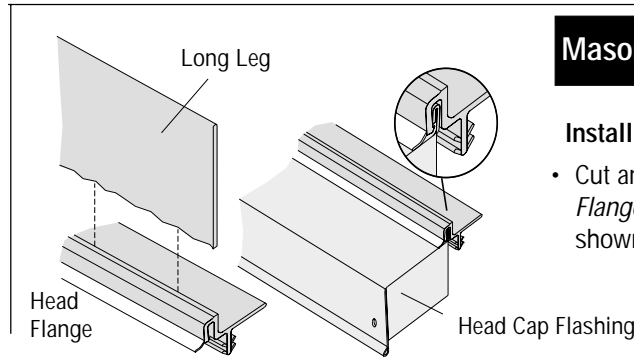
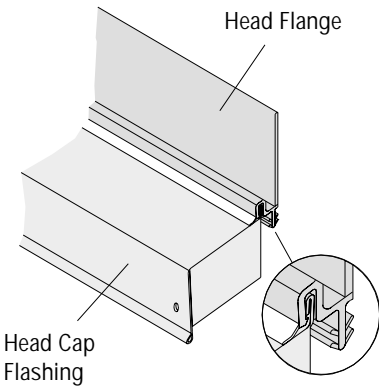
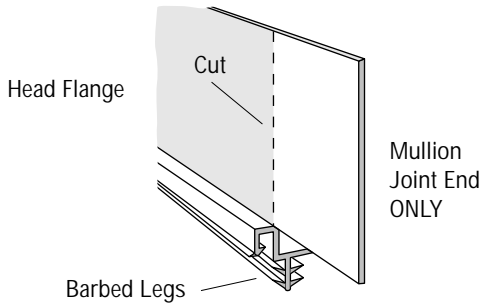
### WARNING

Use of ladders and/or scaffolding and working at elevated levels may be hazardous. Follow equipment manufacturer's instructions for safe operation. Use extreme caution when working around window and door openings. Personal injury and/or falls could occur.

### WARNING

Weight of window and door unit(s) and accessories will vary. Use a reasonable number of people with sufficient strength to lift, carry and install window and door unit(s) and accessories. Always use appropriate lifting techniques.

## 1. Prepare Units for Joining



### ! CAUTION

Handle aluminum Head Flashing with care to avoid bending or kinking.

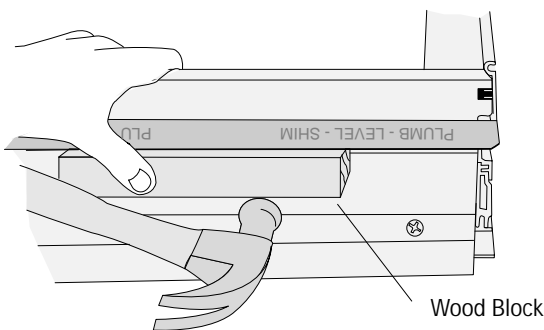
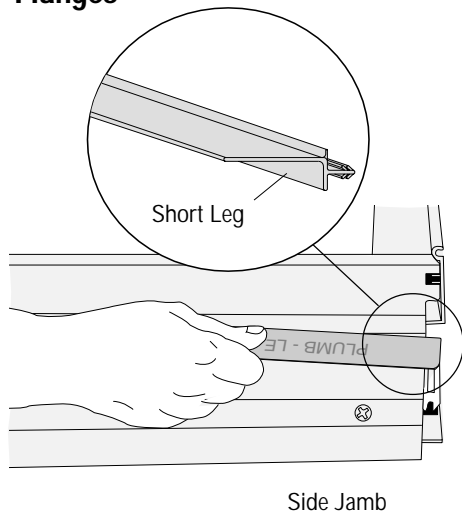
- Refer to and follow instruction guide for *Frame Assembly and Installation for Gliding Patio Doors, #0005310*.
- Place assembled door frames, exterior side up, in correct joining position on a clean, flat work surface.
- Cut **ONLY** the mullion joint end off *Head Flanges*, using a sharp utility knife. Make the cut even with barbed legs.
- Apply *Head Flange* to aluminum *Head Cap Flashing*. Make sure *Head Flange* is fully seated into *Head Cap Flashing*.

### Masonry Wall or Replacement ONLY

#### Installing Unit Without Installation Flanges

- Cut and remove the long leg of the *Head Flange*. Snap onto *Head Cap Flashing* as shown.

## 2. Apply Flanges



### NOTICE

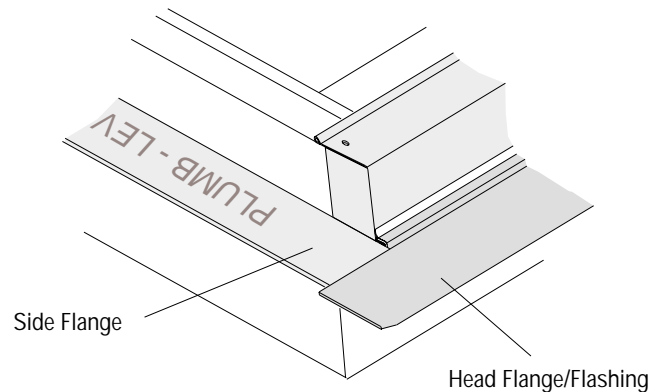
Some masonry wall, and replacement situations do not require the use of side flanges. If side flanges are not being used proceed to STEP 3.

- Position *Side Flanges* in groove on frame, short leg pointing toward interior, flush with bottom of *Sill*. Tap with a hammer and wood block to firmly seat *Side Flanges* into groove on frame.

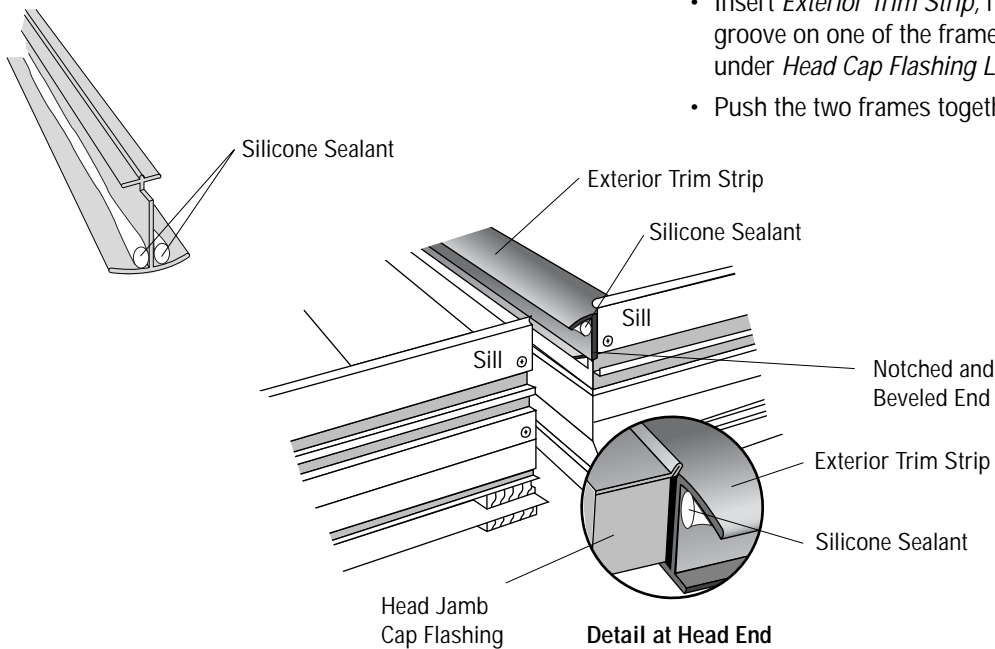
### ! CAUTION

Head Flange/Flashing must overlap Side Flanges to the exterior to prevent water infiltration.

- Apply *Head Flange/Flashing* to groove in head jamb and tap along short leg using a wood block and hammer. *Head Flange* ends must overlap *Side Flanges* to the exterior.

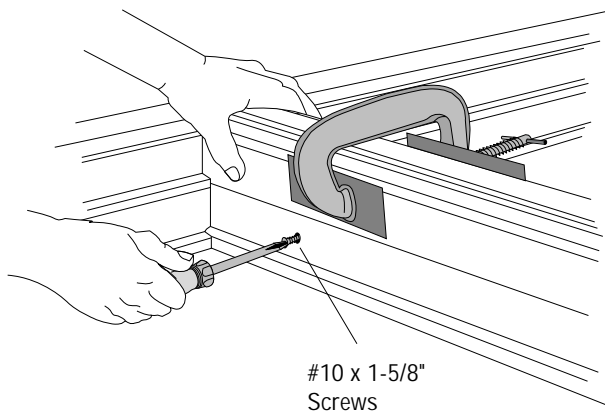


### 3. Insert Exterior Trim Strip



- Apply 3/16" bead of silicone sealant, full length, to both sides of Exterior Trim Strip, as shown
- Insert *Exterior Trim Strip*, notched and beveled end at sill, into groove on one of the frame's *Side Jamb*s. Position *Trim Strip* under *Head Cap Flashing Lip* (see insert) and flush at *Sill*.
- Push the two frames together.

### 4. Clamp and Secure Units

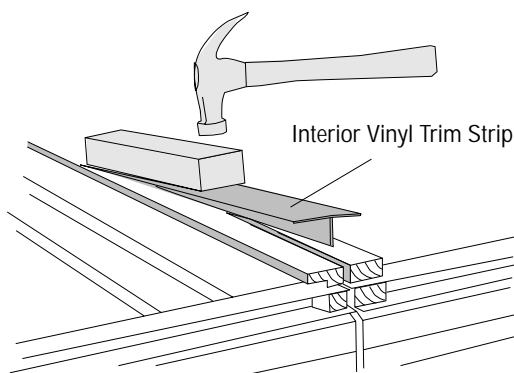


#### CAUTION

Place cardboard pieces between clamps and jambs to prevent damage to units.

- Clamp the Jamb's together making sure *Trim Strip* is correctly located.
- Insert the #10 x 1-5/8" screws into the predrilled holes in both *Jamb*s and secure together. Screw heads will form the counter-sinking. (Use 6 screws for 6'8" and 6'11" heights and 8 screws for 8'0" heights.)

### 5. Install Interior Vinyl Trim Strip (Gliding Patio Doors Only)



#### NOTICE

Frenchwood Gliding Doors must use a wood trim piece (furnished by others) in place of the interior vinyl trim strip. Do not apply wood trim piece until units and interior trim have been fully installed.

- Frenchwood Gliding Doors proceed to **Step 6**.
- Carefully turn joined frames over, interior side up.
- Insert the *Interior Vinyl Trim Strip* into the mullion joint, flush at both ends. Loosen screws if necessary. Use a block of wood and hammer to gently tap the *Trim Strip* into place.
- Tighten all screws in *Jamb*.
- Carefully turn joined frames over, exterior side up.

**Narrow Mullion Joining**  
for Andersen Gliding Patio Doors

**Screw Pack  
and  
Instruction  
Guide**

Envelope Contains:

8 - #10 x 1-5/8" screws

1 - #10 x 1" screw

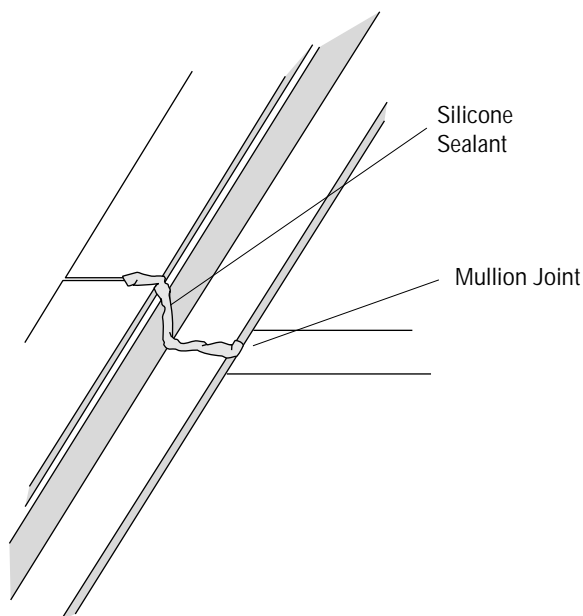
Andersen Corporation  
Bayport, MN 55003

Instruction Guide #0000665



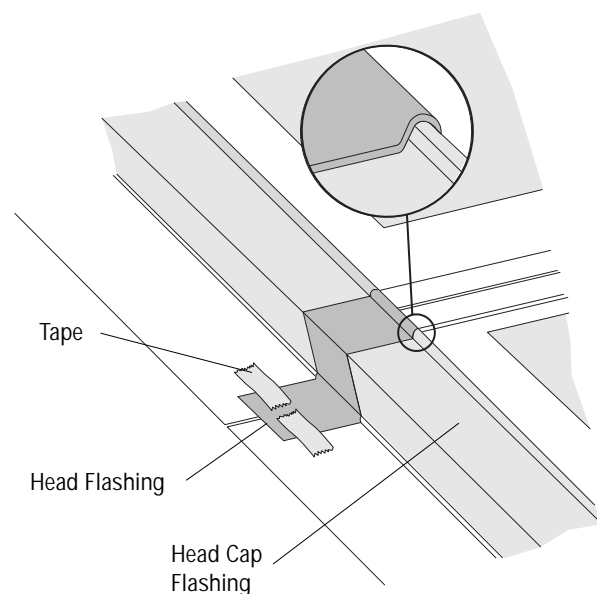
## 6. Seal Mullion Joint

- Apply *Silicone Sealant* to the mullion joint, tool smooth.



## 7. Apply Mullion Head Flashing

- Position *Head Flashing* over mullion joint and snap over lower lip of *Head Cap Flashing*.
- Tape *Mullion Flashing* in place until silicone sealant cures.



- Proceed to Unit installation Guide for installing joined frames.