

# 4-Panel Astragal

for Andersen® 400 Series Frenchwood® and 200 Series Narroline® Gliding Patio Doors



**INSTALLER: Please leave this guide with the building owner to file for future reference.**

For ease of installation and continued enjoyment of your Andersen® product, please read and follow this Instruction Guide completely. You may direct any questions about this or other products to your local Andersen dealer, found in the Yellow Pages under “Windows”, or call Andersen WindowCare® service center at 1-888-888-7020 Monday through Friday, 7 a.m. to 7 p.m. Central Time and Saturday, 8 a.m. to 4 p.m. Central Time. Assembly and installation of Andersen products is the sole responsibility of the architect, building owner, contractor and/or consumer and Andersen has no responsibility in this regard. Thank you for choosing Andersen.

**⚠ WARNING**

Use of ladders and/or scaffolding and working at elevated levels may be hazardous. Follow equipment manufacturer's instructions for safe operation. Use extreme caution when working around window and door openings. Falling from opening may result in personal injury or death.

**⚠ WARNING**

Improper use of hand or power tools could result in personal injury and/or product damage. Follow equipment manufacturer's instructions for safe operation. Always wear safety glasses.

**⚠ WARNING**

Weight of window and door unit(s) and accessories will vary. Use a reasonable number of people with sufficient strength to lift, carry, and install window and door unit(s) and accessories. Always use appropriate lifting techniques.

**Parts Included:**

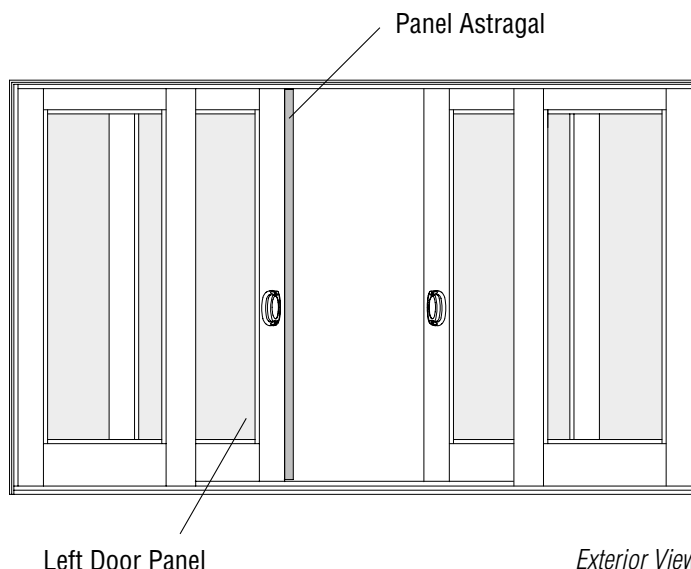
- (1) Panel Astragal
- (1) Tube Silicone Sealant
- (1) Instruction Guide
- (6) #10 x 1 1/2" Flat Head Screws
  - 6'8" and 6'11" Doors (5 screws)
  - 8'0" Doors (6 screws)

**Tools and Supplies**

- Safety Glasses
- Phillips Head Screwdriver
- Drill
- 1/8" Drill Bit

**⚠ CAUTION**

*Panel Astragal* must be installed on the right side of the *Left Door Panel* as viewed from the exterior.



## 1. Apply Silicone Sealant and Attach Panel Astragal

- Apply a 1/4" bead of silicone sealant, full length, on the exterior edge of the left operating *Door Panel*.
- Position the *Panel Astragal* on *Door Panel* edge with veneer to the interior. Align *Panel Astragal* with top edge of *Door Panel* making sure exterior side of *Panel Astragal* is tight against *Door Panel* and weather stripped surface of *Panel Astragal* is facing other operating *Door Panel*.

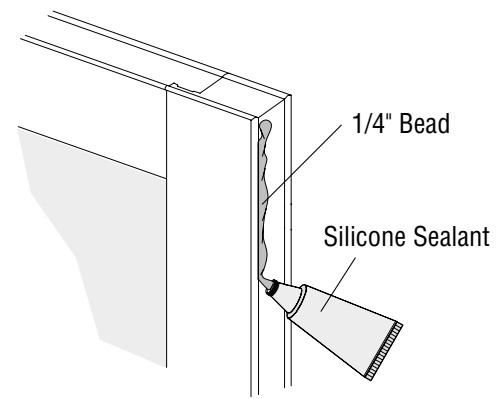
### CAUTION

Do Not drill pilot holes deeper than 1". Glass damage could occur.

- Drill 1/8" pilot holes, using *Panel Astragal* as a template, through existing holes. Do not drill any deeper than 1".
- Fasten *Panel Astragal* to *Door Panel* using the #10 x 1 1/2" screws provided.

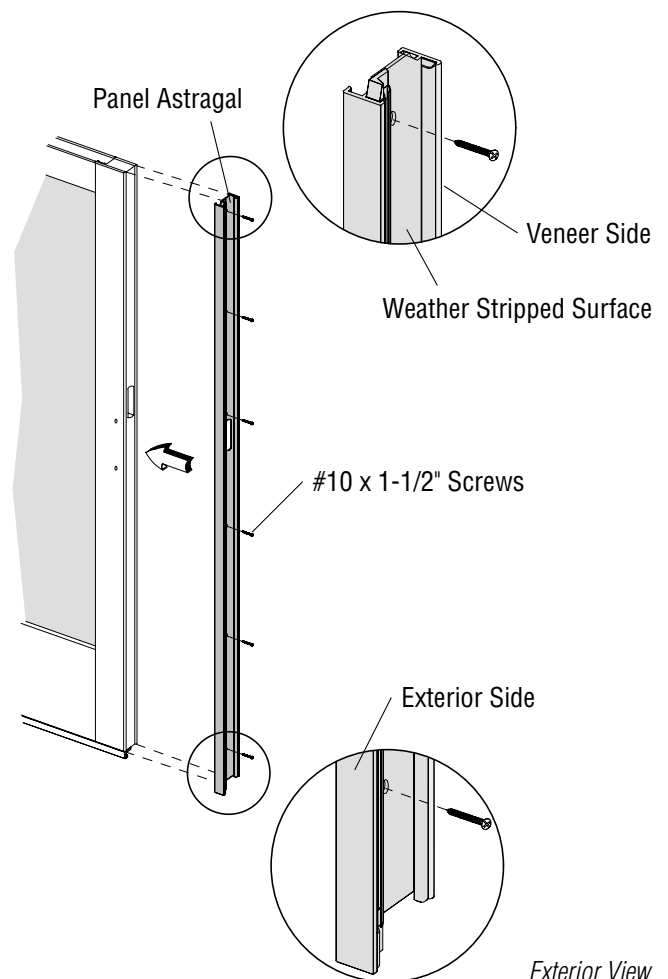
### NOTICE

Panel Astragals are furnished with a veneer applied to the interior surface. If required, use only 220/240 grit sand paper and sand lightly as to not sand through veneer. This surface may then be stained or painted. Refer to the staining/painting section in the panel installation guide.



**Left Operating Door Panel**

*Exterior View*



*Exterior View*

Frenchwood® 8'0" Gliding Patio Door shown