

Hardware Application and Adjustment

Product Series: 100 Series Tulsa Hardware

Product Type: Gliding Patio Doors

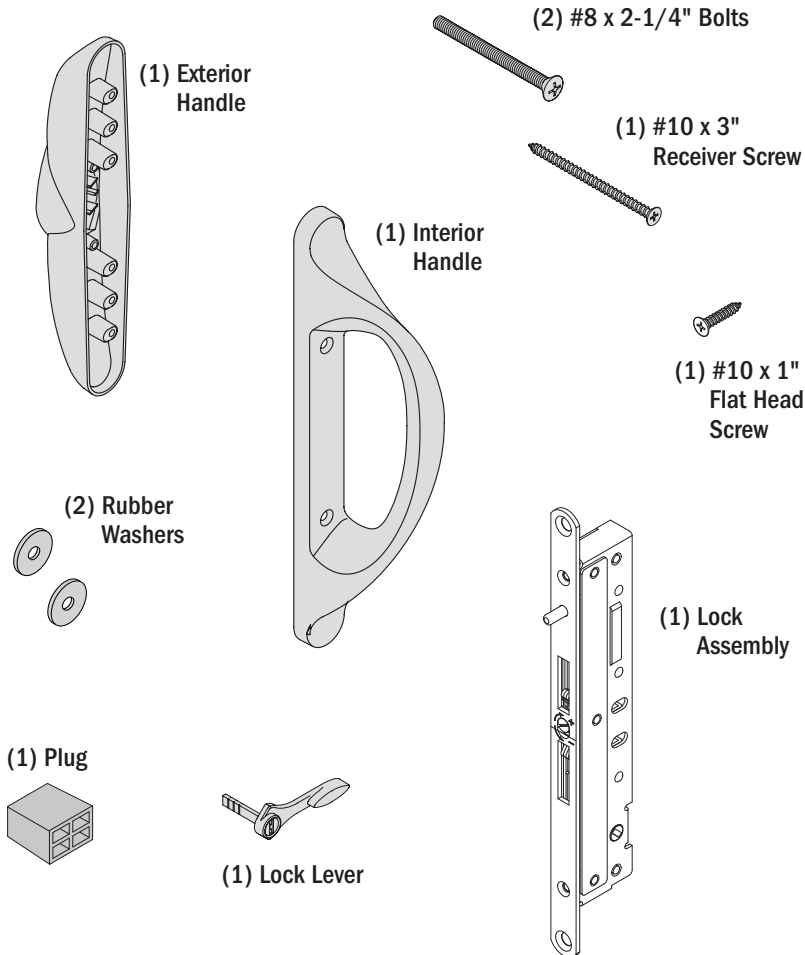
Read these instructions before starting procedure.

For additional information visit www.andersenwindows.com.

For questions call 1-888-888-7020.

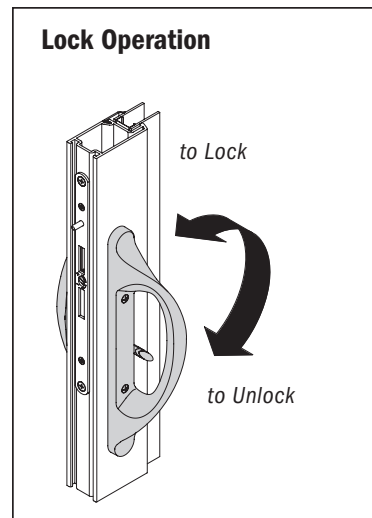
Para obtener una versión en español de esta guía, visite el sitio www.andersenwindows.com

Parts Included:



Tools and Supplies Needed:

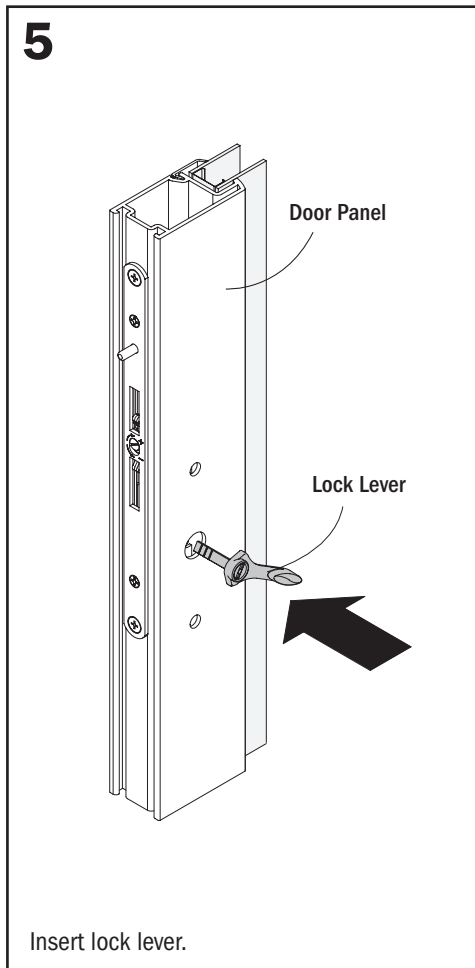
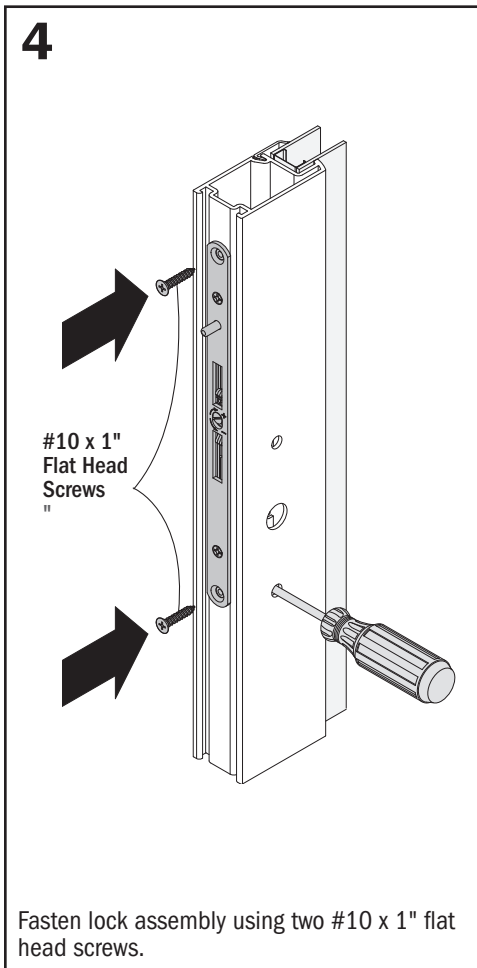
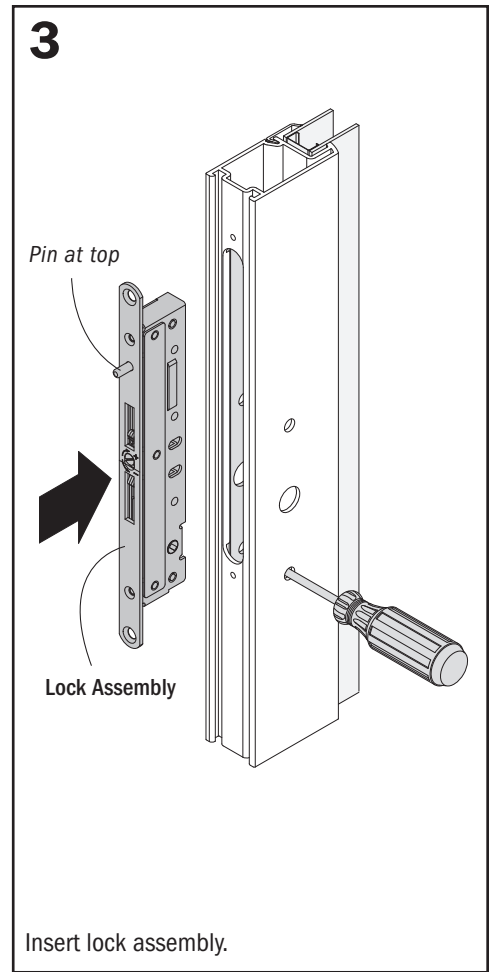
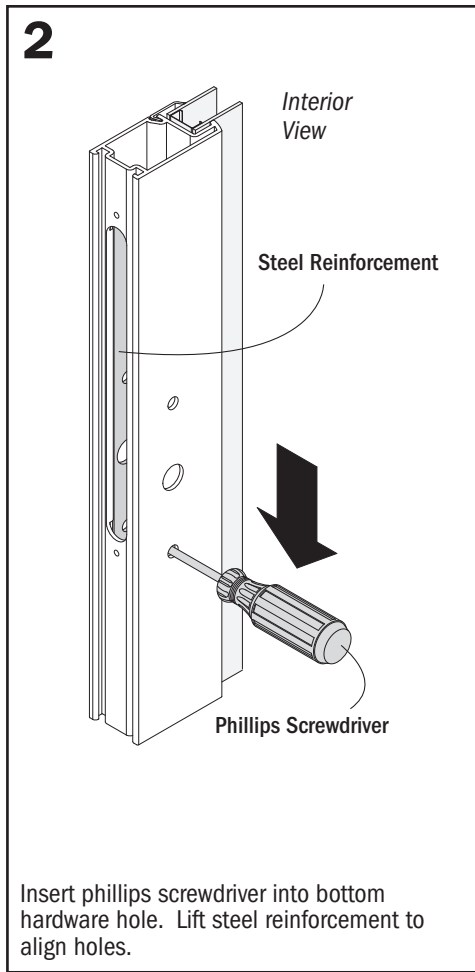
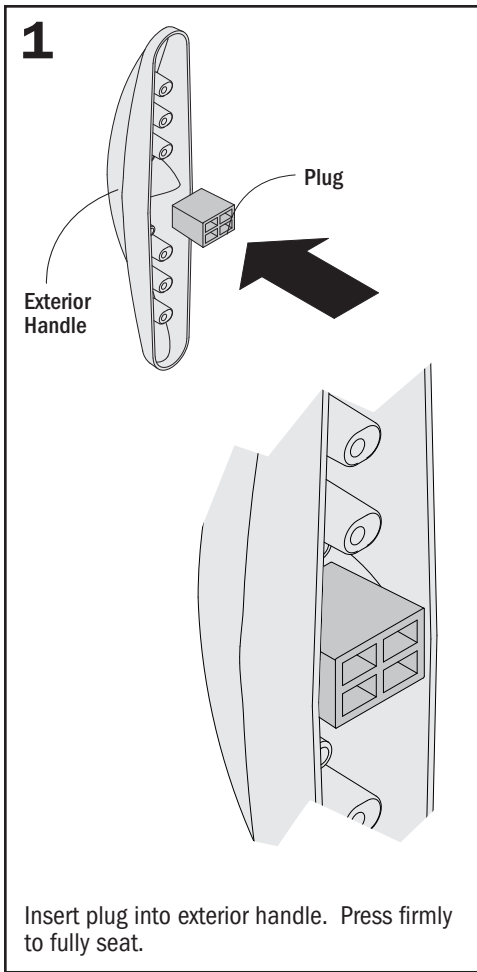
- Safety Glasses
- Phillips Head Screwdriver
- Soft Face Hammer
- Drill/Driver
- Phillips Bit
- 1/8" Drill Bit
- Waterproof Shims



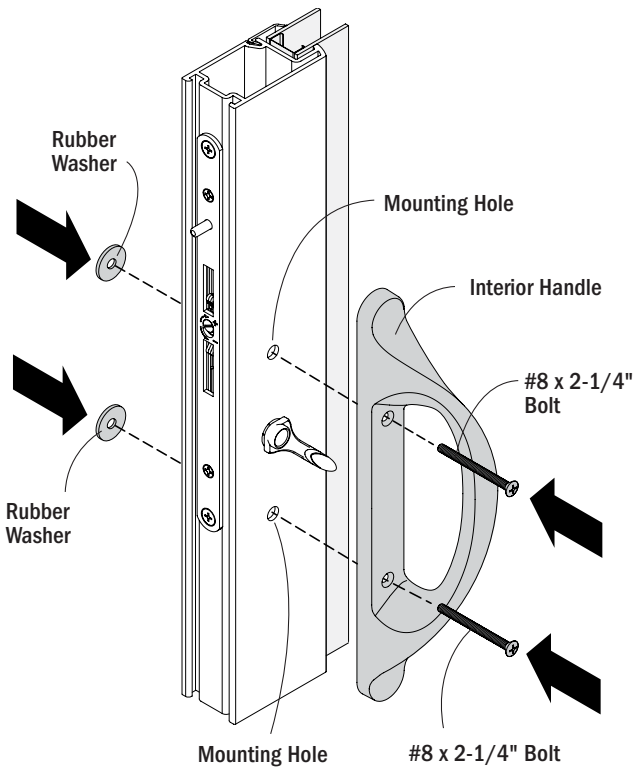
► If purchased separately, apply exterior keyed lock before applying hardware.

WARNING

- Follow manufacturers' instructions for hand and power tools. Always wear safety glasses. Failure to do so could result in injury, product or property damage.
- Windows, doors, and installation components can have sharp edges. Wear protective equipment when handling. Failure to do so could result in injury.
- Use caution when working at elevated heights and around window and door openings. Follow the manufacturers' instructions for ladders and scaffolding. Failure to do so could result in injury or death.
- Windows and doors have small parts (e.g. hole plugs, operator spline caps, fasteners, etc.). Small parts if swallowed could pose a choking hazard to young children. Dispose of unused, loose, or easily removed small parts. Failure to do so could result in injury.

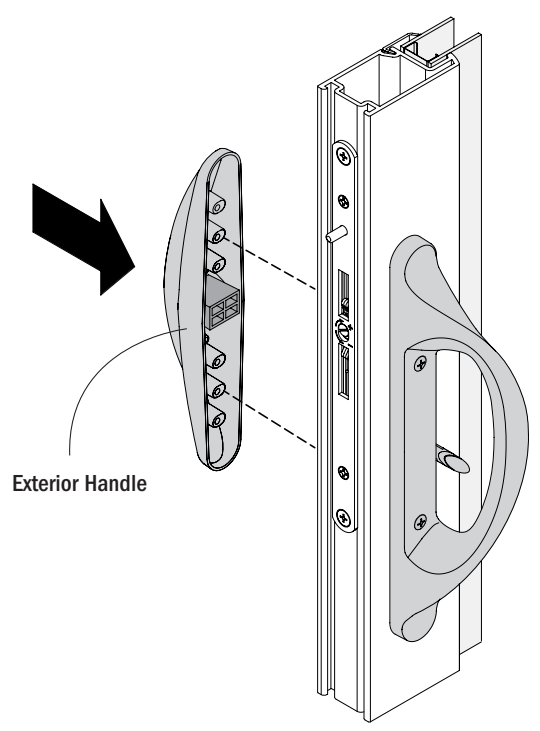


6



Position interior handle over mounting holes. Insert #8 x 2-1/4" bolts, applying rubber washers to bolts on exterior side.

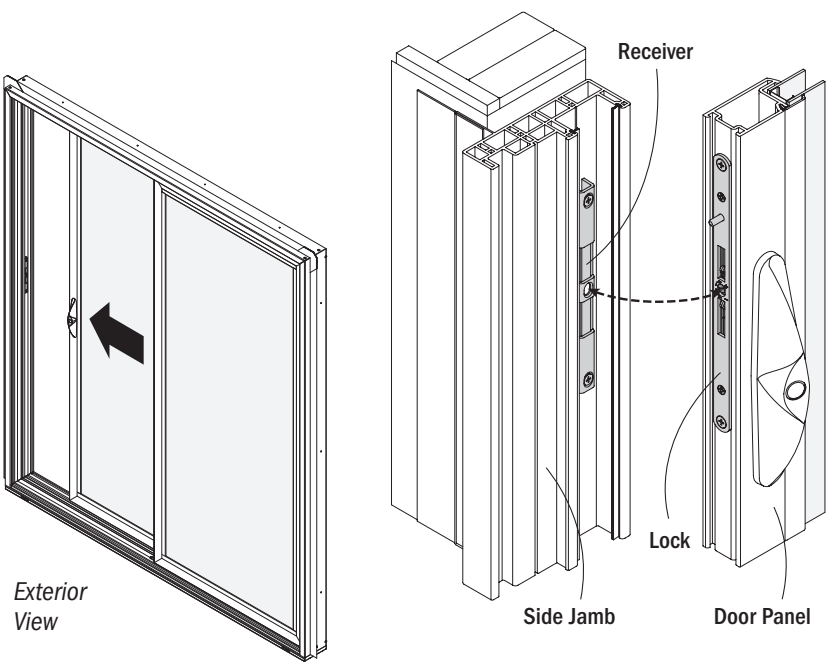
7



Position exterior handle to bolts and fasten. **Proceed to receiver adjustment.**

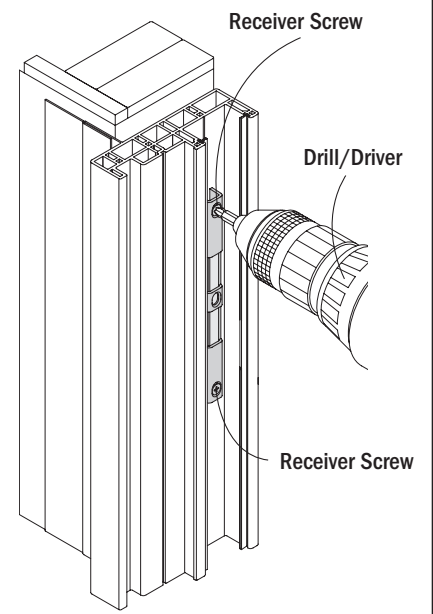
Receiver Adjustment

1



Move panel toward jamb and check alignment of receiver and lock, as shown. If aligned, proceed to Step 4. If not, proceed to Step 2.

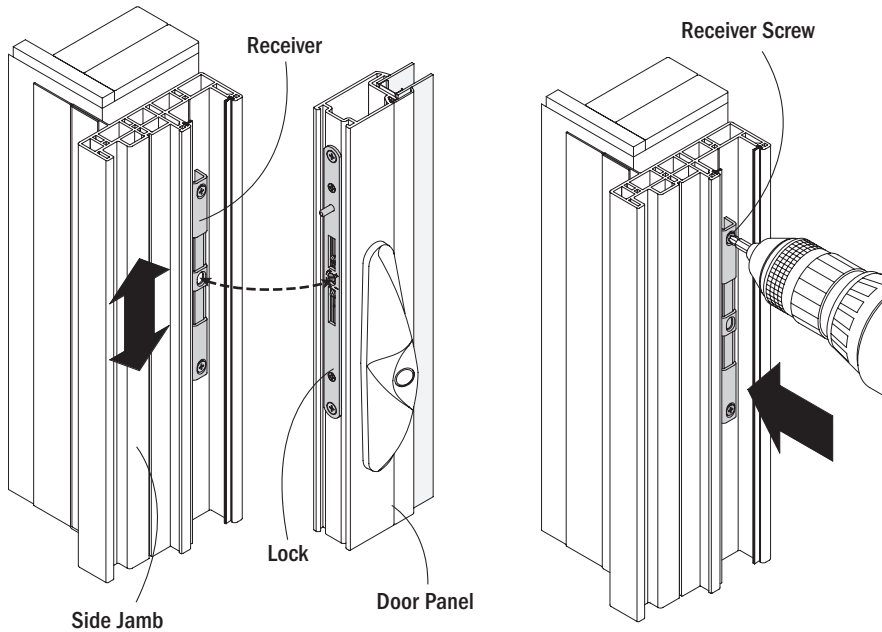
2



Loosen receiver screws slightly.

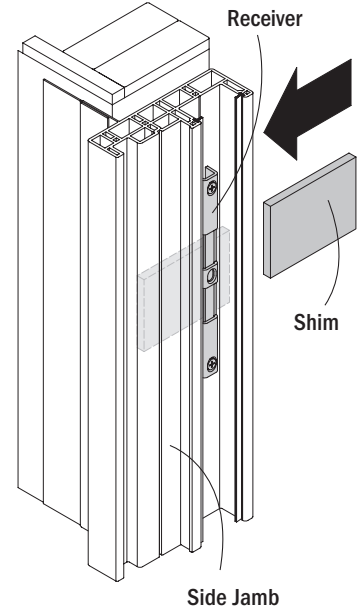
Receiver Adjustment (Continued)

3



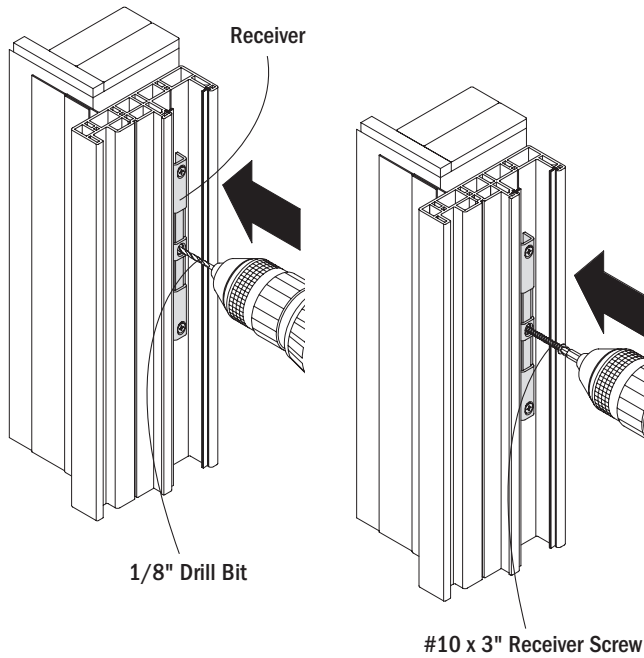
Align receiver to lock as shown and tighten receiver screws. Do not overtighten screws.

4



Shim behind receiver.

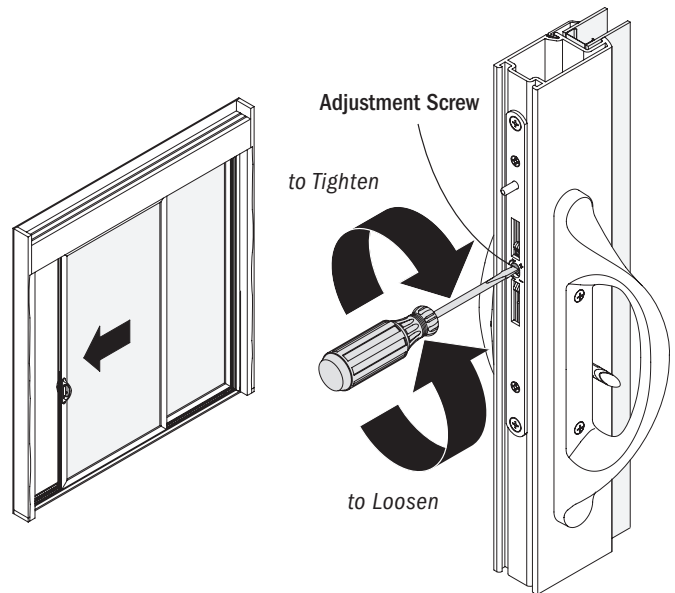
5



Drill hole approximately 3" deep through center hole in receiver and fasten using #10 x 3" receiver screw.

Lock Adjustment

1



Close and lock door. If lock does not engage, open door and turn adjustment screw clockwise. If lock engages too tightly, open door and turn adjustment screw counter clockwise.

► Hardware application and adjustment is completed.