

# Interior Extension Jamb Application Guide

for 400 Series Frenchwood® and 200 Series Narroline® & Perma-Shield® Gliding Patio Doors

**400**  
series  
**200**  
series

Please read this guide completely before starting. For questions about this and other Andersen® products, call 1-888-888-7020.

For the most current version of this guide visit [www.andersenwindows.com](http://www.andersenwindows.com). Consult your local building code official for applicable building codes and regulations. Thank you for choosing Andersen® products.

Please leave this information with homeowner.

### Parts Included

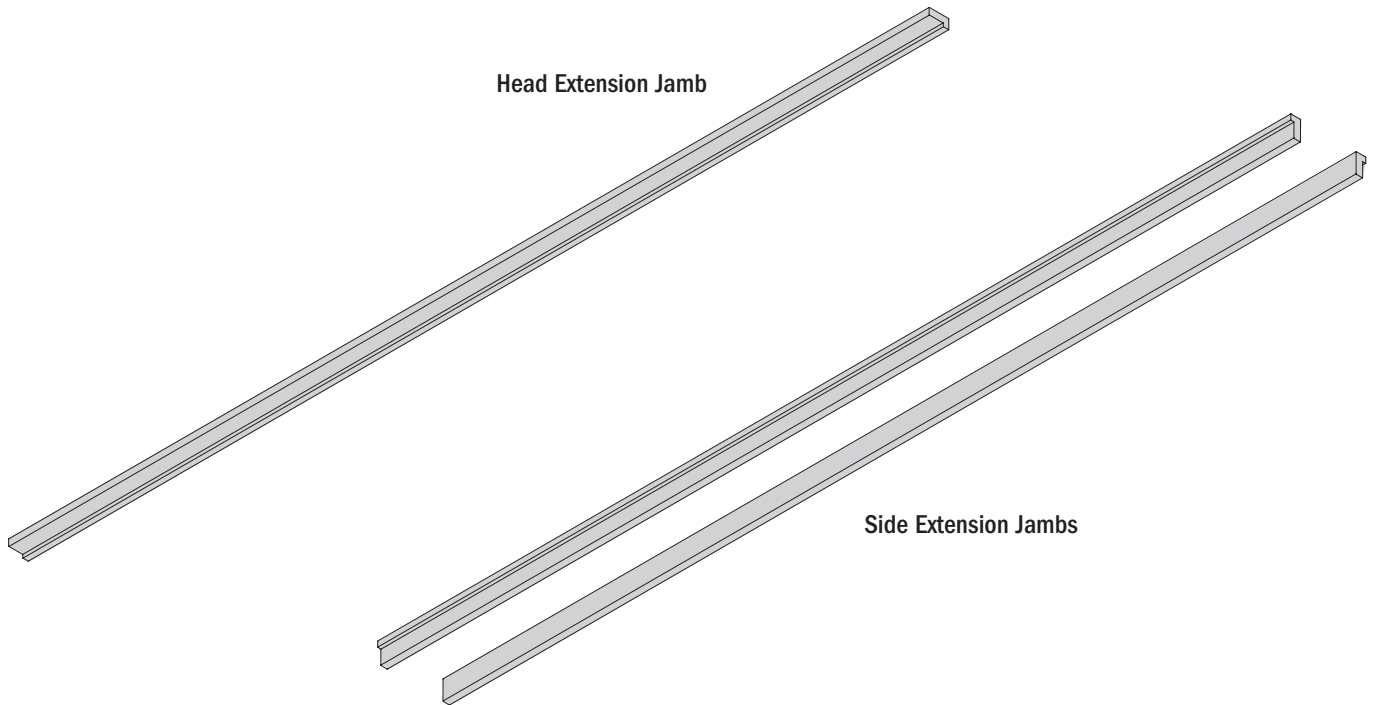
- (1) Instruction Guide
- (1) Head Extension Jamb
- (2) Side Extension Jamb

### Supplies Needed

- 1-1/4" Drywall Screws

### Tools Needed

- Safety Glasses
- Power Drill
- 1/8" Drill Bit
- Tape Measure
- Pencil
- Wood Saw
- Putty Knife



Read and follow these warnings during installation.

### WARNING

Use a reasonable number of people with sufficient strength when moving and installing units. Always use safe lifting techniques. Failure to do so may result in injury and/or product damage.

### WARNING

Follow manufacturer's instructions for safe operation of hand/power tools. Always wear safety glasses. Failure to do so may result in injury and/or product damage.

### WARNING

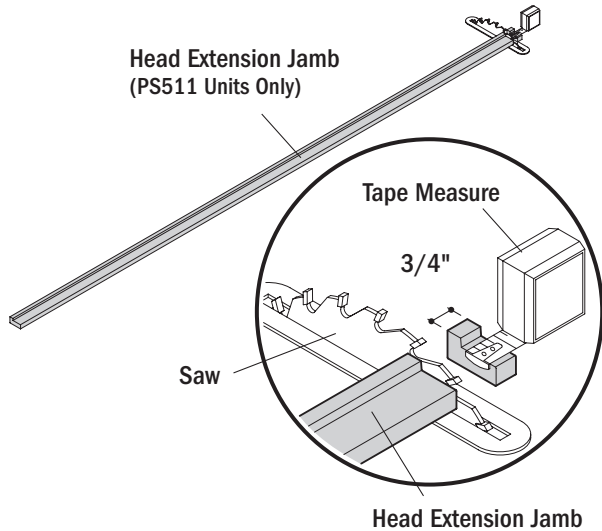
Use caution when working at elevated heights and around unit openings. Follow manufacturer's instructions for safe use of ladder and/or scaffolding. Failure to do so may result in injury or death.

## NOTICE

- ▶ Extension jambs can be finished before installation.
- ▶ Extension jambs can be applied before or after door is installed.

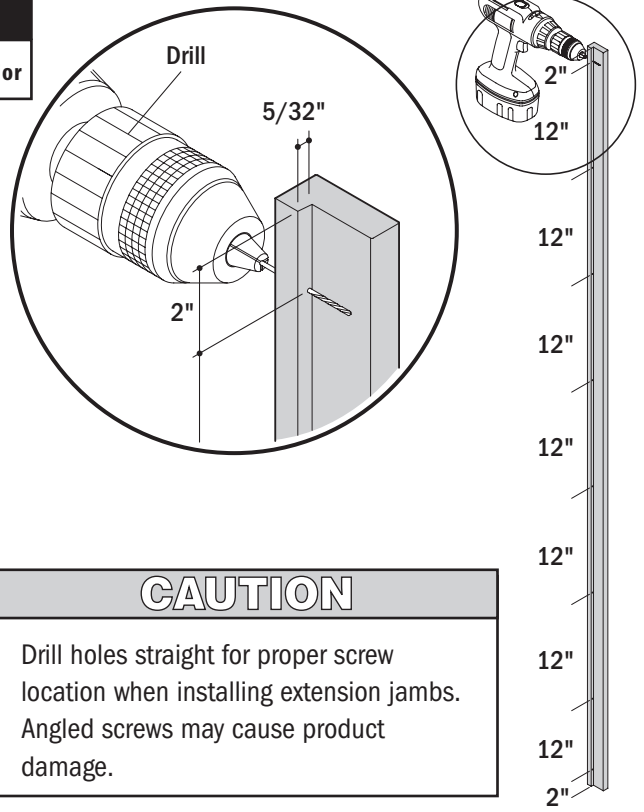
## IMPORTANT

- ▶ Trim 3/4" from head extension jamb for PS511 units only.



# 1

Interior



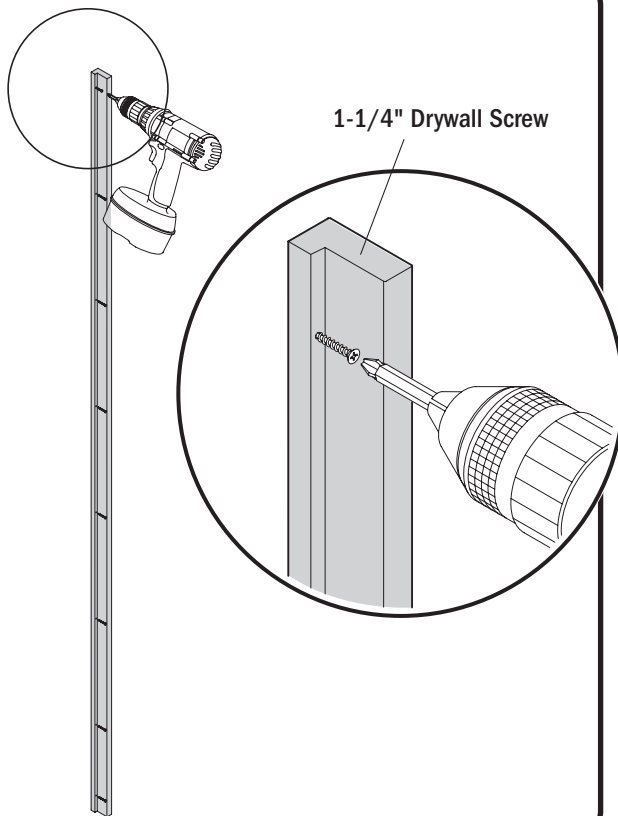
## CAUTION

Drill holes straight for proper screw location when installing extension jambs. Angled screws may cause product damage.

Drill 1/8" holes 2" from each end and every 12" in between on head and side extension jambs as shown.

# 2

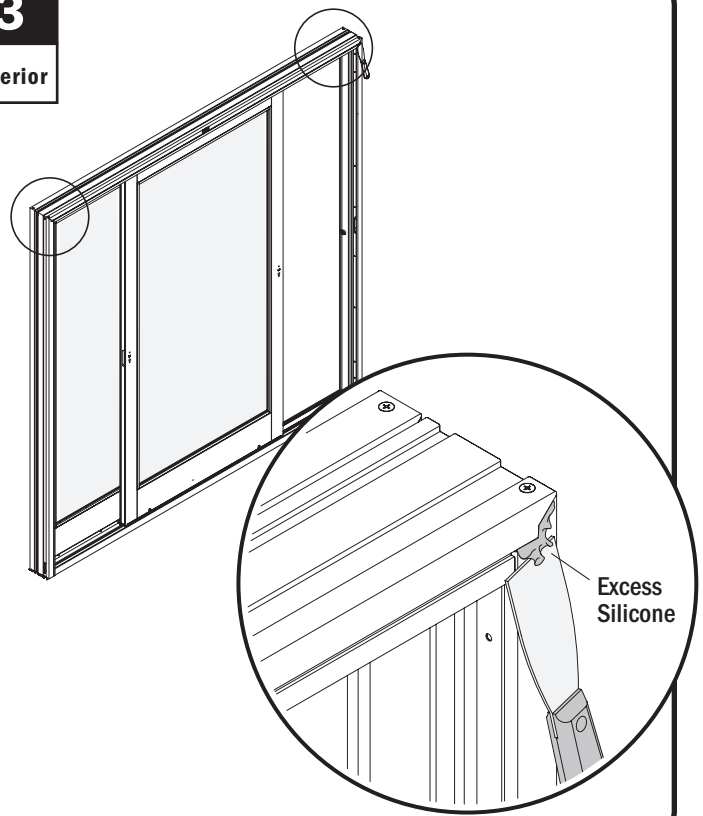
Interior



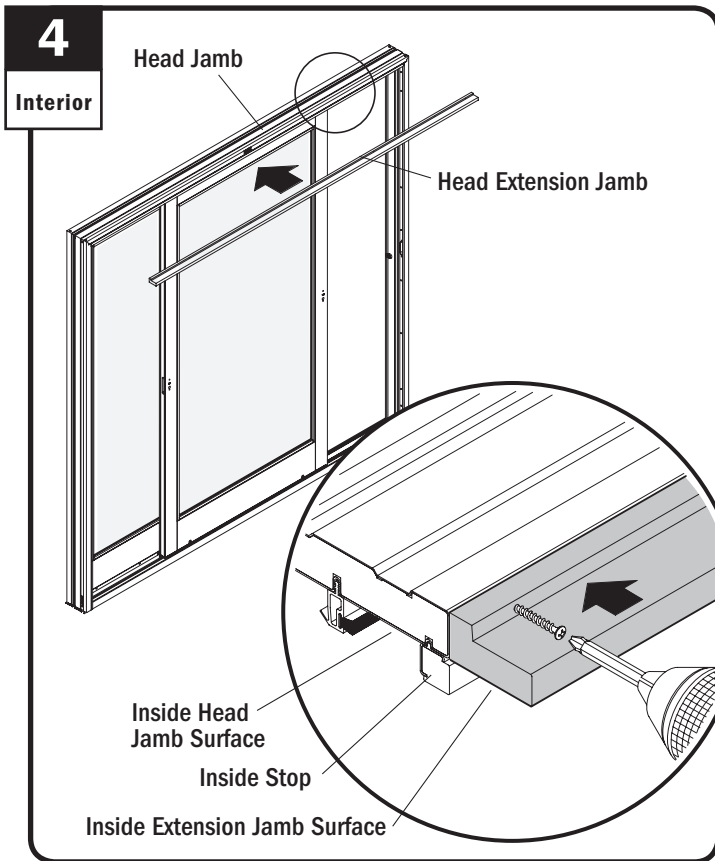
Start screws in all drilled holes.

# 3

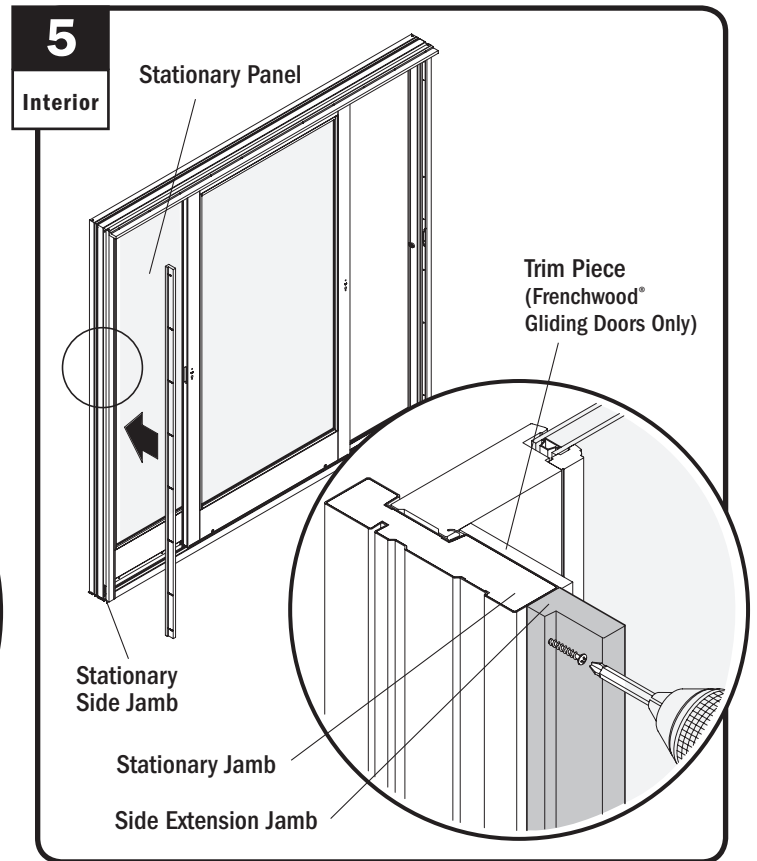
Interior



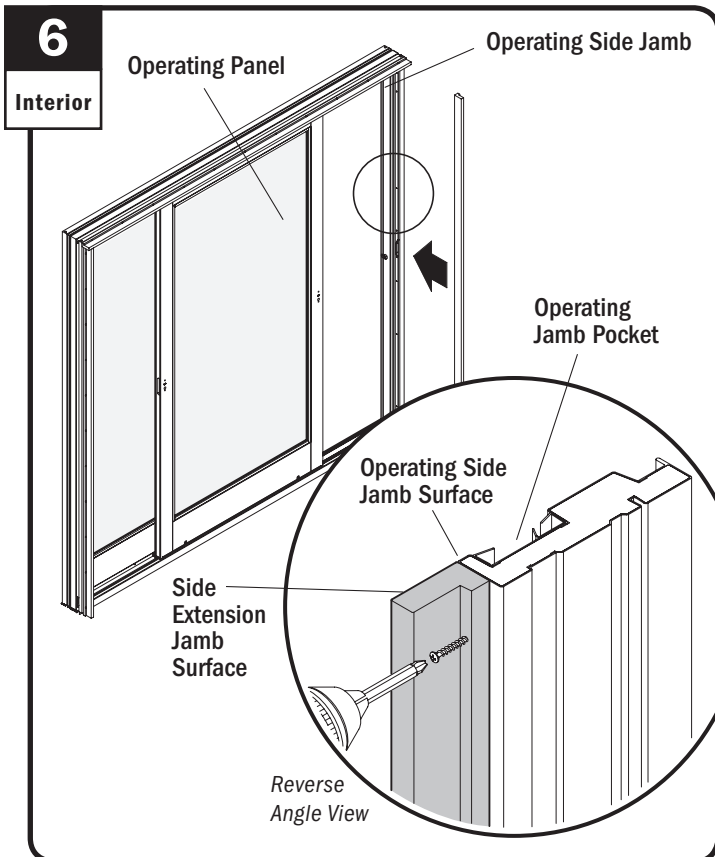
Open panel. Remove excess silicone from interior frame corners.



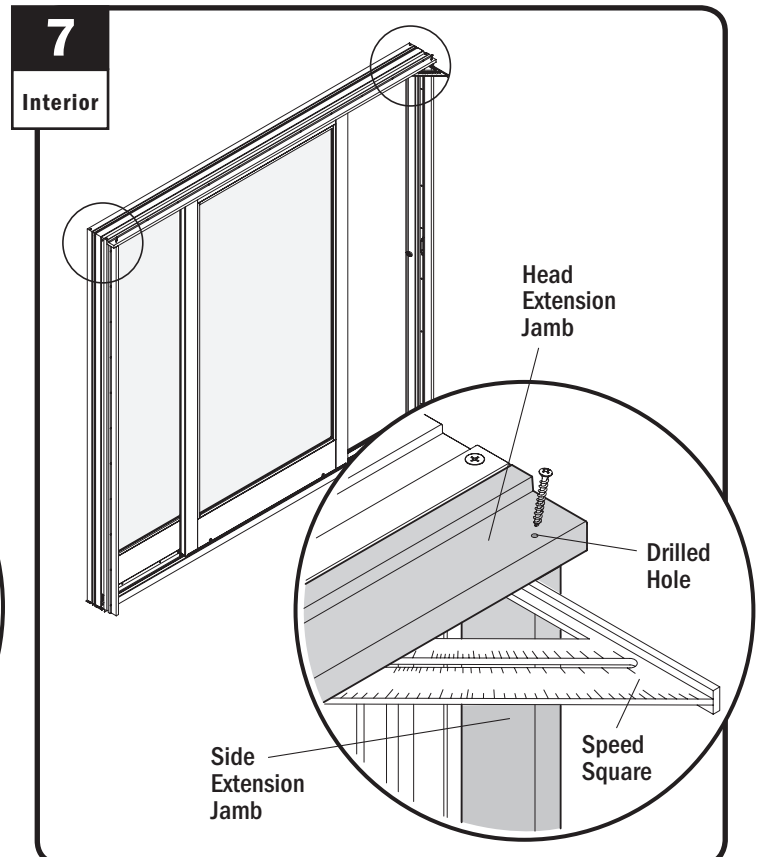
Center head extension jamb on head jamb. Keep inside jamb surfaces flush. **Do Not** overlap inside stop. Fasten extension jamb using 1-1/4" screws.



Position side extension jamb on stationary side jamb, flush with inside surface, and fasten using 1-1/4" screws. For Frenchwood Gliding Doors, **do not** flush with surface of trim piece.



Position side extension jamb on operating side jamb, flush with inside surfaces, and fasten using 1-1/4" fasteners. Keep fasteners straight to avoid operating jamb pocket.



Square extension jamb ends at corners. Drill 1/8" hole and fasten using 1-1/4" screws as shown. **Installation is finished.**

## Finishing

### CAUTION

- ▶ Finish interior wood surface immediately after installation. Exposing unfinished wood to high moisture conditions or excessive heat and/or humidity will cause product damage.
- ▶ Finish interior wood surface only. Applying finish to weatherstrip, silicone, vinyl, glass, or hardware will cause product damage.
- ▶ Read and follow finishing manufacturer's instructions and warnings on each container of finish material.

## Maintenance

- ▶ Sand and refinish stained or mildewed wood immediately to prevent further discoloration or damage.

For more finishing, cleaning and maintenance information visit [www.andersenwindows.com](http://www.andersenwindows.com).