

Sash Lift/Handle

for Andersen® 200 Series Tilt-Wash Double-Hung and Gliding Windows



INSTALLER: Please leave this guide with the building owner to file for future reference.

For ease of installation and continued enjoyment of your Andersen® product, please read and follow this Instruction Guide completely. You may direct any questions about this or other products to your local Andersen dealer, found in the Yellow Pages under “Windows”, or call Andersen WindowCare® service center at 1-888-888-7020 Monday through Friday, 7 a.m. to 7 p.m. Central Time and Saturday, 8 a.m. to 4 p.m. Central Time. Assembly and installation of Andersen products is the sole responsibility of the architect, building owner, contractor and/or consumer and Andersen has no responsibility in this regard. Thank you for choosing Andersen.

⚠ WARNING

Use of ladders and/or scaffolding and working at elevated levels may be hazardous. Follow equipment manufacturer's instructions for safe operation. Use extreme caution when working around window and door openings. Falling from opening may result in personal injury or death.

⚠ WARNING

Improper use of hand or power tools could result in personal injury and/or product damage. Follow equipment manufacturer's instructions for safe operation. Always wear safety glasses.

⚠ WARNING

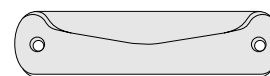
Weight of window and door unit(s) and accessories will vary. Use a reasonable number of people with sufficient strength to lift, carry, and install window and door unit(s) and accessories. Always use appropriate lifting techniques.

Parts Included

- (1) Instruction Guide
- (1) Sash Lift/Handle
- (2) Screws

Tools and Supplies

- Pencil
- #2 Phillips Screwdriver
- Tape Measure
- Awl



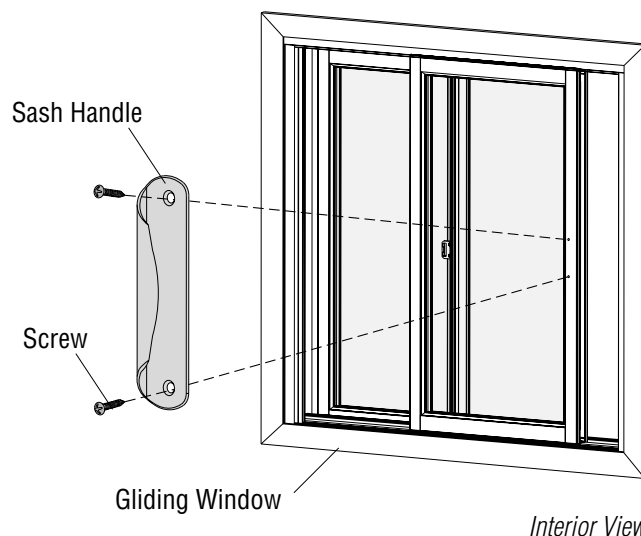
Sash Lift/Handle



Screws

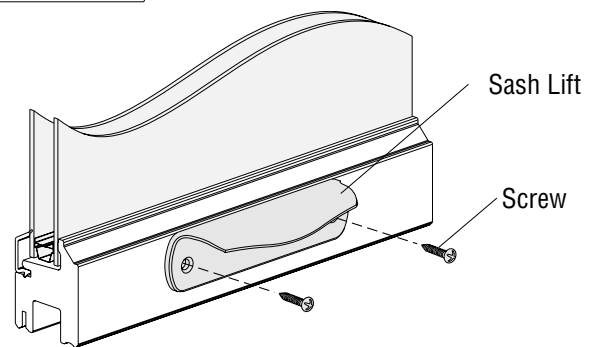
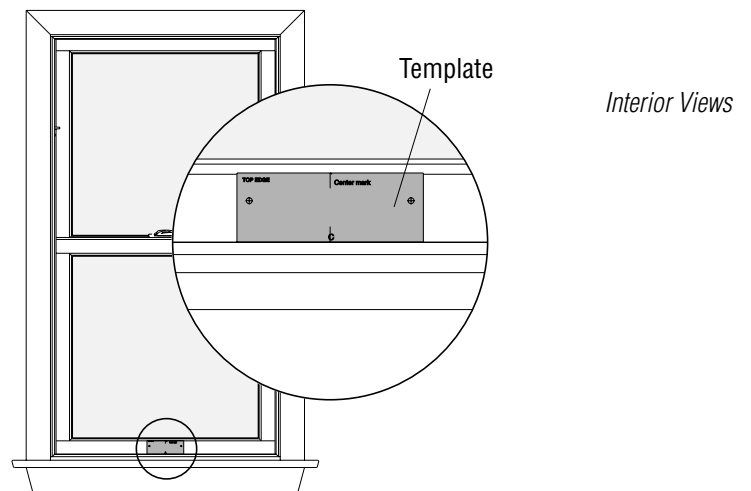
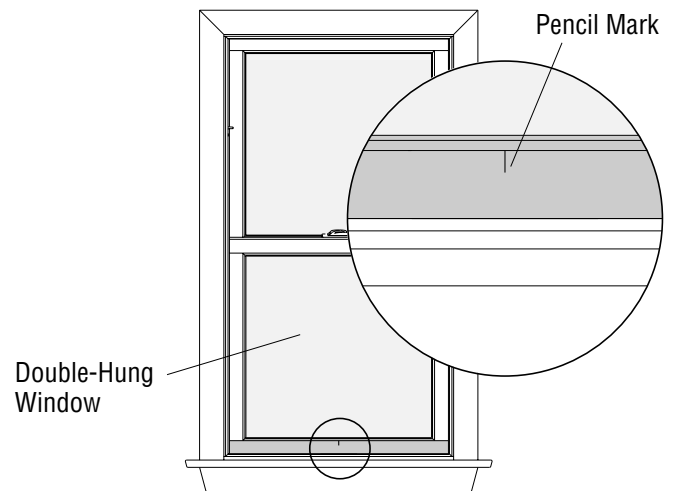
Gliding Window

- For **Double-Hung Windows**, proceed to **Page 2**.
- Fasten *Sash Handle* through predrilled holes using *Screws* provided.



Double-Hung Window

- Determine center point of *Sash* and mark lightly using a pencil, as shown.
- Cut out template (below) on dashed line.
- Position center mark on the template to center pencil mark on sash.
- Mark screw locations using an awl.
- Attach *Sash Lift* to unit using *Screws* provided.



CAUTION

For instruction guides that have been printed from our website and/or from an electronic file, check measurement of the printed template to make sure the size has not been altered.

