

# Insect Screen Limited Publication Release

## for Andersen® 200 Series Gliding Windows



**INSTALLER: Please leave this guide with the building owner to file for future reference.**

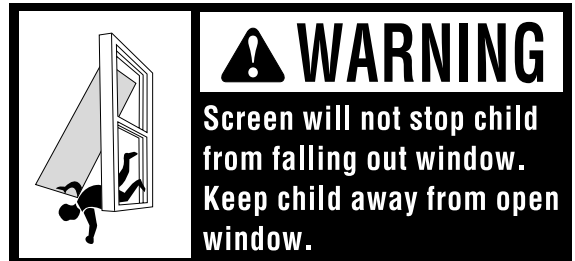
Congratulations! You have just purchased one of the many fine Andersen® products. For ease of installation and continued enjoyment of your Andersen product, please read and follow this Instruction Guide completely. If your abilities do not match this procedure's requirements contact an experienced contractor. You may direct any questions about this or other products to your local Andersen dealer, found in the Yellow Pages under Windows. If you have any questions about your ability to complete the procedure, call Andersen at 1-888-888-7020 for further direction. Andersen WindowCare® service center hours are Monday through Friday, 7 a.m. to 7 p.m. Central Time and Saturday, 8 a.m. to 4 p.m. Central Time. Thank you for choosing Andersen.

### Important Safety, Assembly, and Installation Information

Proper assembly, installation and maintenance of Andersen products is essential if the benefits of experienced product design and engineering, quality materials, and skilled workmanship are to be fully attained. Every assembly and installation is different (windloads, structural support, etc.) and, Andersen strongly recommends consultation with an Andersen supplier or an experienced contractor, architect, or structural engineer prior to the assembly and installation of any Andersen product. Assembly and installation of Andersen products is the sole responsibility of the architect, building owner, contractor and/or consumer and Andersen has no responsibility in this regard.

#### **⚠ WARNING**

Use of ladders and/or scaffolding and working at elevated levels may be hazardous. Follow equipment manufacturer's instructions for safe operation. Use extreme caution when working around window and door openings. Falling from opening may result in personal injury or death.



#### **⚠ WARNING**

**Screen will not stop child from falling out window. Keep child away from open window.**

#### **⚠ WARNING**

Weight of window/door unit(s) and accessories will vary. Use a reasonable number of people with sufficient strength to lift, carry, and install window/door unit(s) and accessories. Always use appropriate lifting techniques.

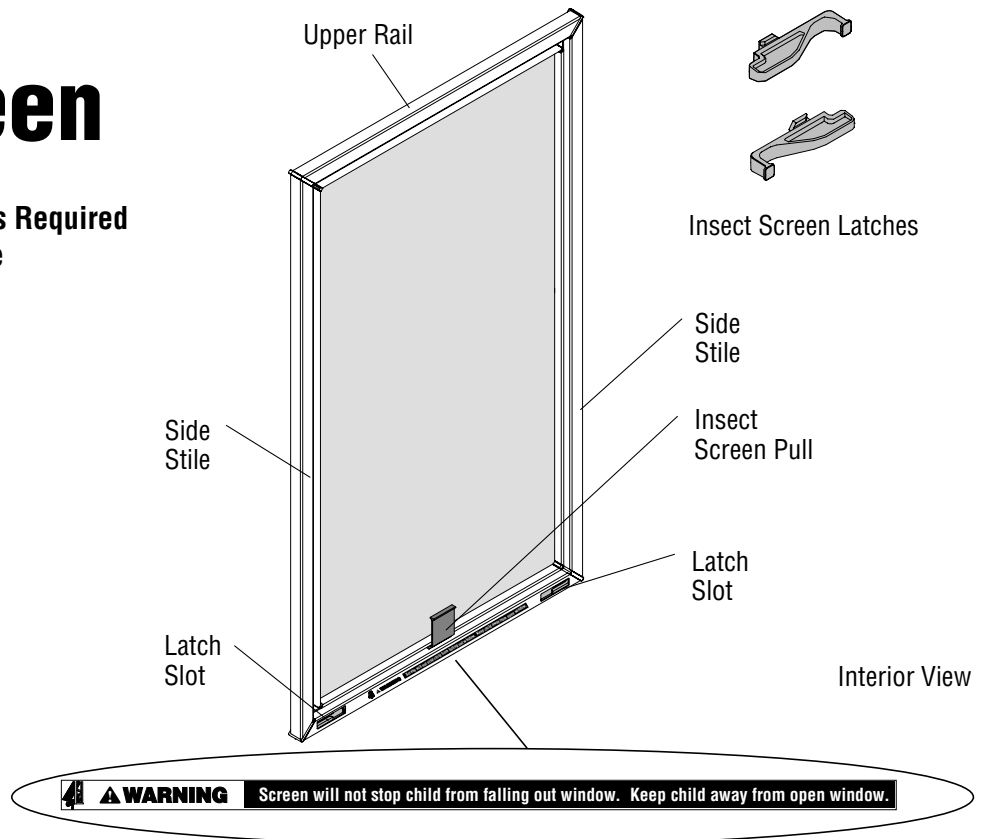
# Insect Screen

**Parts Included**

- (1) Insect Screen
- (2) Insect Screen Latches

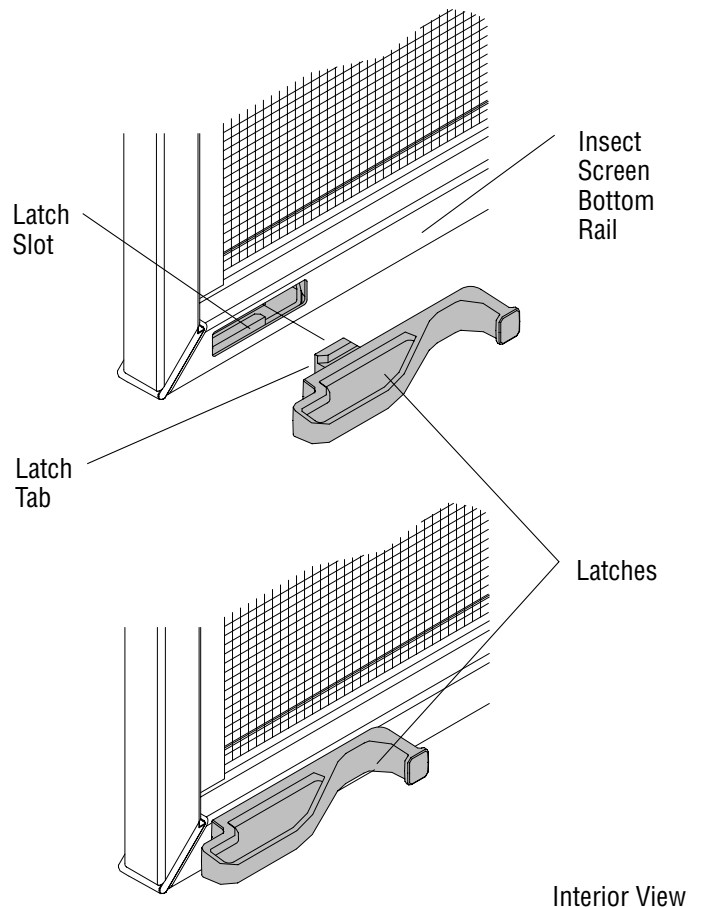
**Tools Required**

None



## 1. Prepare Insect Screen for Installation

- Carefully remove *Insect Screen* from carton. Place *Insect Screen* interior side up on a clean flat work surface. *Latch Slots* will be visible on *Insect Screen Bottom Rail*.
- Insert *Latch Tab* into *Latch Slot* on *Insect Screen Bottom Rail*. Slide *Latch* back and forth several times checking for smooth operation. Make sure *Insect Screen Latches* are pushed toward center of *Insect Screen* prior to installation.



## 2. Open Sash and Pass Insect Screen Through to Exterior

### **⚠ WARNING**

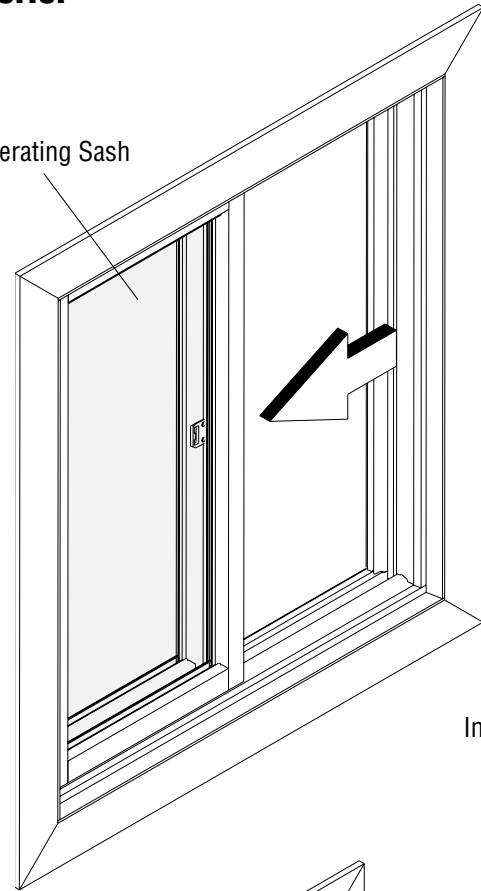
Use extreme care when working around window opening. Never leave a window opening unattended, especially when children are present. Falling from window opening may result in severe personal injury or death.

### **NOTICE**

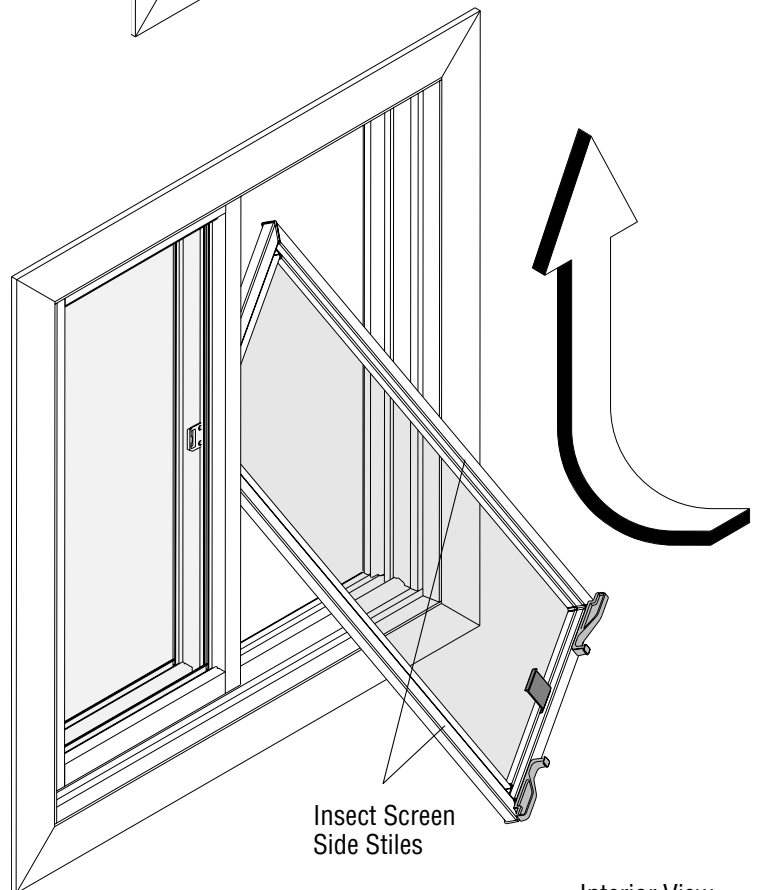
Insect Screen is installed from the interior.

- Unlock and open *Operating Sash* to full open position.
- Grasp *Insect Screen Side Stiles* near bottom of *Insect Screen* and pass *Insect Screen* through window opening.

Operating Sash



Interior View

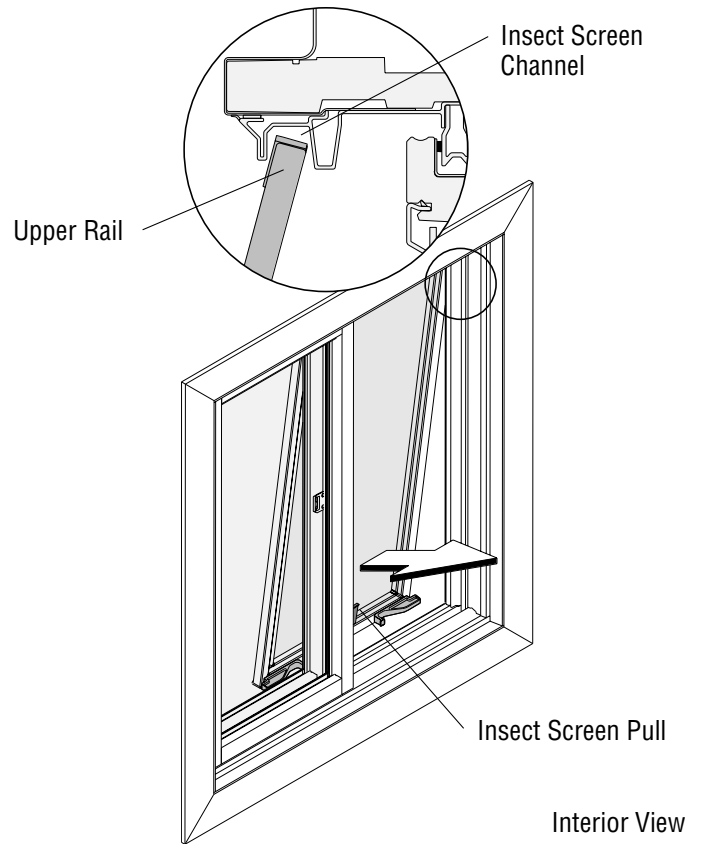


Insect Screen  
Side Stiles

Interior View

### 3. Install Insect Screen in Frame

- Insert *Upper Rail* of *Insect Screen* into *Insect Screen Channel* in frame. While maintaining grasp on one *Side Stile*, use other hand to grasp *Insect Screen Pull* and pull *Insect Screen* to the closed position in frame.



### 4. Secure Insect Screen Latches

- Push *Insect Screen Latches* outward to secure *Insect Screen*.
- Push and pull on *Insect Screen Pull* several times to check that *Insect Screen* is secure.

