

Interior Double Dummy Trim Set

for Interior Doors Accompanying Andersen® Frenchwood® Hinged Patio Door



Congratulations! You have just purchased one of the many fine Andersen® products. For ease of assembly and installation and continued enjoyment of your Andersen® product please read and follow this Installation Guide completely. You may direct any questions about Andersen® products to your local Andersen® dealer. Andersen® dealers can be found in the Yellow Pages under Windows.

Installer: Please leave the Installation Guide with the home owner to file for future reference. Thank you for choosing Andersen®.

Importance of Proper Assembly and Installation

Proper assembly, installation, and maintenance of Andersen products are essential if the benefits of experienced product design and engineering, quality materials, and skilled workmanship are to be fully attained. General recommendations regarding assembly and installation are guidelines only. Every assembly and installation is different (windloads, structural support, etc.), and Andersen strongly recommends consultation with an Andersen supplier or an experienced contractor, architect, or structural engineer prior to the assembly and installation of any Andersen product. Assembly and installation of Andersen products is the sole responsibility of the architect, building owner, contractor and/or consumer and Andersen has no responsibility in this regard.

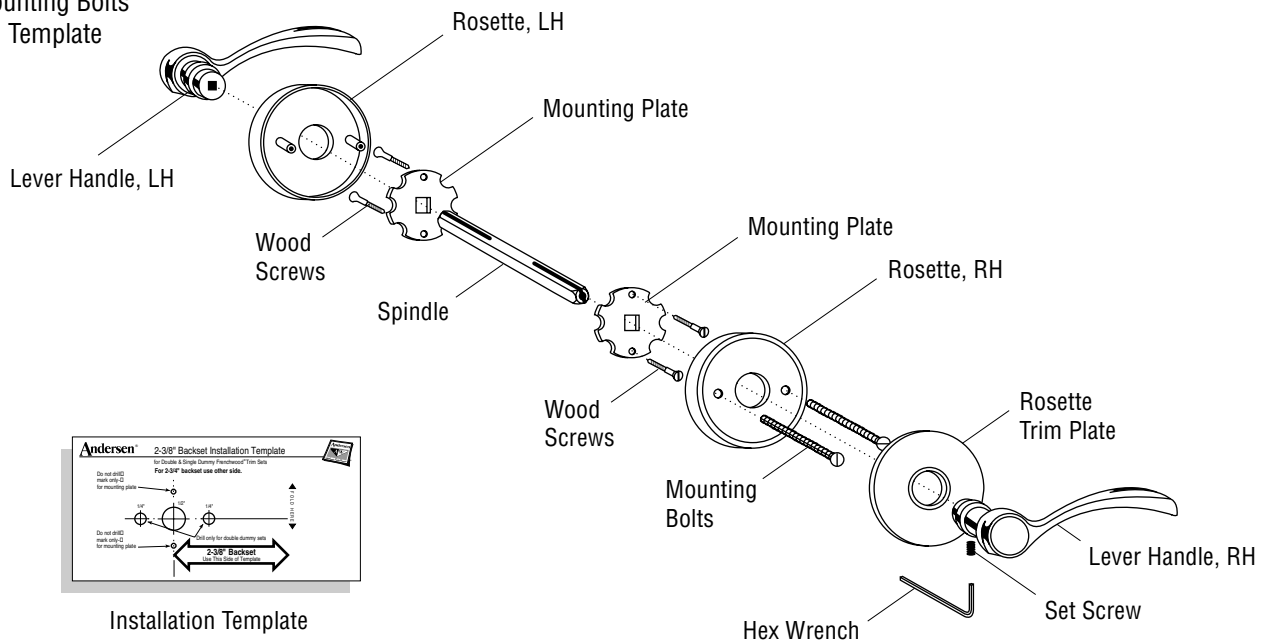
Parts Included

- (2) Lever Handles
- (2) Handle Set Screws
- (1) Spindle
- (2) Mounting Plates
- (4) Wood Screws
- (2) Rosette
- (1) Rosette Trim Plate
- (2) 1-3/4" Mounting Bolts
- (2) 2-5/32" Mounting Bolts
- (1) Installation Template

Installation Tools Needed

- Safety Glasses
- No. 2 Phillips Head Screwdriver
- Hex Wrench (included with Trim Set)

Component Identification



⚠ WARNING

Improper use of hand or power tools could result in personal injury and/or product damage. Follow equipment manufacturer's instructions for safe operation. Always wear safety glasses.

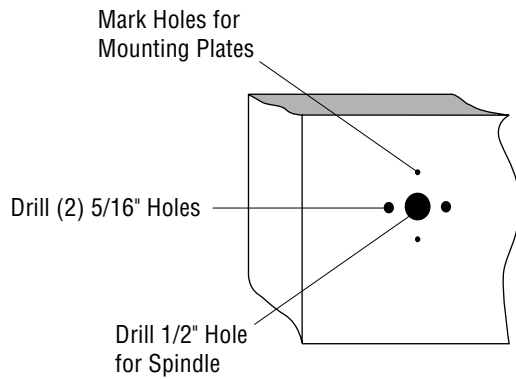
⚠ WARNING

Use of ladders and/or scaffolding and working at elevated levels may be hazardous. Follow equipment manufacturer's instructions for safe operation. Use extreme caution when working around window and door openings. Personal injury and/or falls could occur.

⚠ WARNING

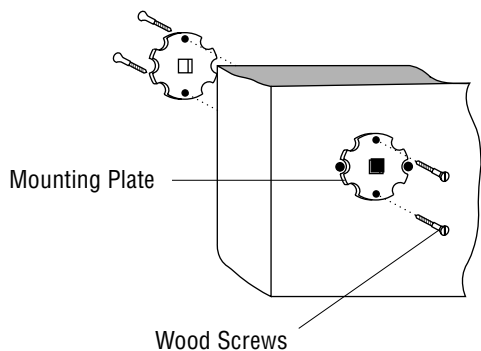
Weight of window and door unit(s) and accessories will vary. Use a reasonable number of people with sufficient strength to lift, carry and install window and door unit(s) and accessories. Always use appropriate lifting techniques.

1. Prepare Door



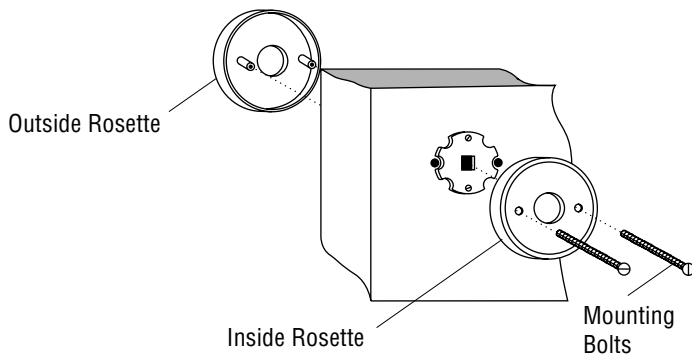
- Locate desired position of Lever Handles. (Standard height is 36" from finished floor.)
- Place Installation Template with desired backset size facing outwards in position on door.
- Drill a 1/2" hole through the face of the door for *Spindle*.
- Drill (2) 5/16" holes through for *Rosette Mounting Bolts*.
- Mark (2) holes for *Mounting Plates* (on both sides of door).

2. Attach Mounting Plates



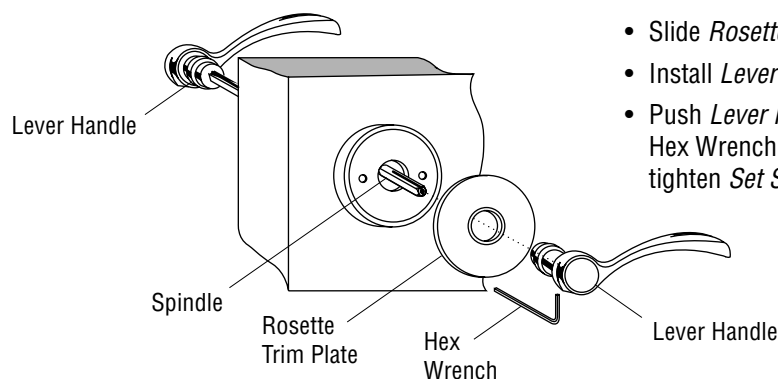
- Align *Mounting Plate* holes (vertically) with marked holes above and below Spindle hole.
- Secure with (2) *Wood Screws*.
- Repeat on other side of door.

3. Position Rosettes



- Position *Rosettes* on inside and outside of door.
- Insert *Mounting Bolts* and hand tighten. (Use Shorter bolts for 1-3/8" thick doors. Longer bolts for 1-3/4" thick doors.)
- Tighten *Mounting Bolts* until snug. Do not over tighten.

4. Insert Spindle and Lever Handles



- Insert *Spindle* through *Rosettes* and *Mounting Plates* with slot for Set Screw facing down.
- Slide *Rosette Trim Plate* over face of *Rosette*.
- Install *Lever Handles* onto each end of *Spindle*.
- Push *Lever Handle* tight to *Rosette* and tighten *Set Screw* with Hex Wrench. Push opposite *Lever Handle* tight to *Rosette* and tighten *Set Screw* with Hex Wrench.