

Combination Unit

for Andersen® Gliding Windows



Congratulations! You have just purchased one of the many fine Andersen® products. For ease of installation and continued enjoyment of your Andersen® product please read and follow this Installation Guide completely. You may direct any questions about this or other products to your local Andersen® dealer. Andersen® dealers can be found in the Yellow Pages under Windows.

Installer: Please leave the Installation Guide with the home owner to file for future reference. Thank you for choosing Andersen®.

Importance of Proper Assembly and Installation

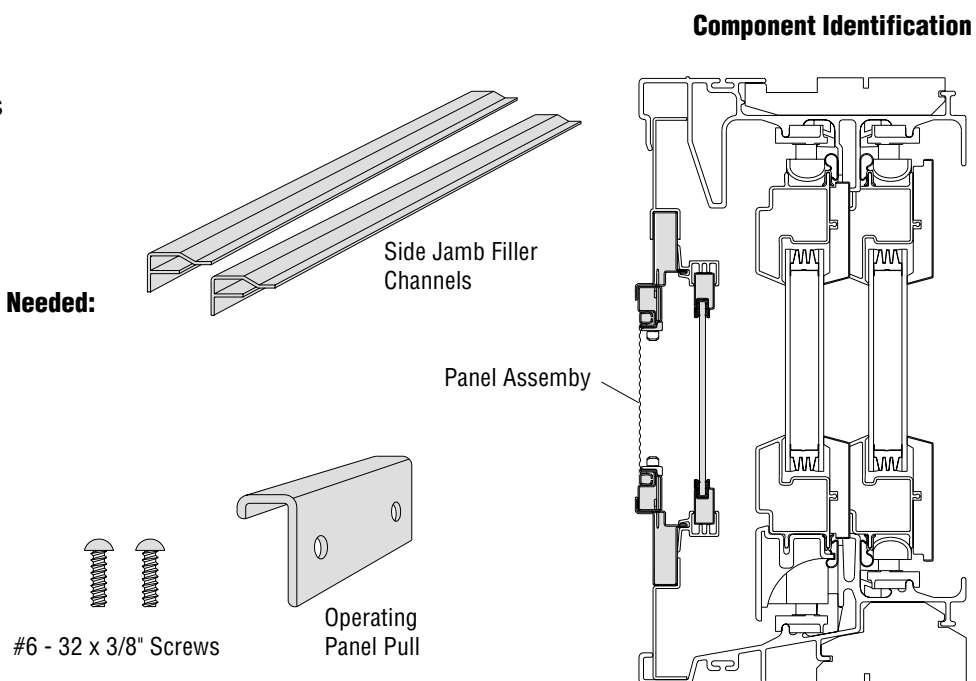
Proper assembly, installation and maintenance of Andersen products is essential if the benefits of experienced product design and engineering, quality materials, and skilled workmanship are to be fully attained. General recommendations regarding assembly and installation are guidelines only. Every assembly and installation is different (windloads, structural support, etc.) and, Andersen strongly recommends consultation with an Andersen supplier or an experienced contractor, architect, or structural engineer prior to the assembly and installation of any Andersen product. Assembly and installation of Andersen products is the sole responsibility of the architect, building owner, contractor and/or consumer and Andersen has no responsibility in this regard.

Parts Included

- (1) Panel Assembly
- (2) Side Jamb Filler Channels
- (1) Operating Panel Pull
- (2) #6 - 32 x 3/8" Screw
- (12) 1/8" Rivit

Installation Tools and Supplies Needed:

- Safety Glasses
- Hammer
- Electric Drill
- 1/8" Drill Bit
- Phillips Screwdriver
- Punch



CAUTION

Unless specifically ordered, Andersen windows are not provided with safety glass, and if broken, could fragment causing injury. Many laws and building codes require safety glass in locations adjacent to or near doors. Andersen windows are available with safety glass which may reduce the likelihood of injury when broken. Information on safety glass is available from your local Andersen dealer.

Do not apply any type of film directly to glass. Thermal stress conditions resulting in glass damage could occur.

The use of movable insulating materials such as window coverings, shutters and other shading devices may damage glass and/or vinyl. In addition, excessive condensation may result causing deterioration of window unit.

WARNING

Improper use of hand or power tools could result in personal injury and/or product damage. Follow equipment manufacturer's instructions for safe operation. Always wear safety glasses.

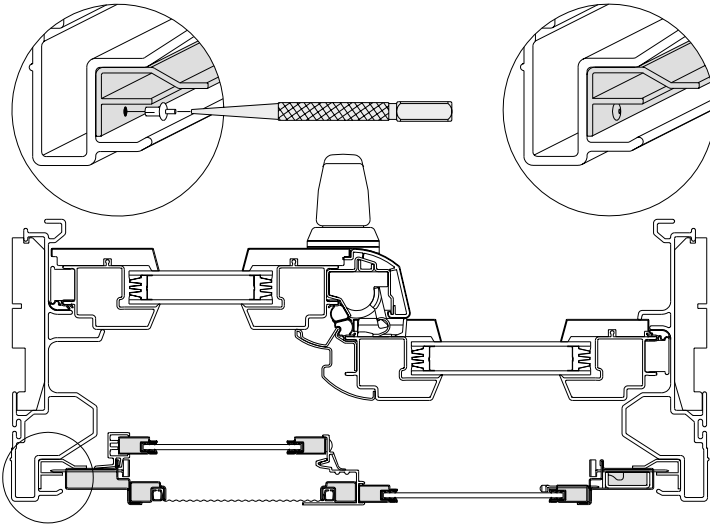
WARNING

Use of ladders and/or scaffolding and working at elevated levels may be hazardous. Follow equipment manufacturer's instructions for safe operation. Use extreme caution when working around window and door openings. Personal injury and/or falls could occur.

WARNING

Weight of window and door unit(s) and accessories will vary. Use a reasonable number of people with sufficient strength to lift, carry and install window and door unit(s) and accessories. Always use appropriate lifting techniques.

1. Attach the Side Jamb Filler Channels



- Remove any dirt or debris from window frame screen channels, especially the lower corners.
- Position one of the Side Jamb Filler Channels as shown, with the lower end of the Channel resting on the bottom of the sill screen channel.

⚠ CAUTION

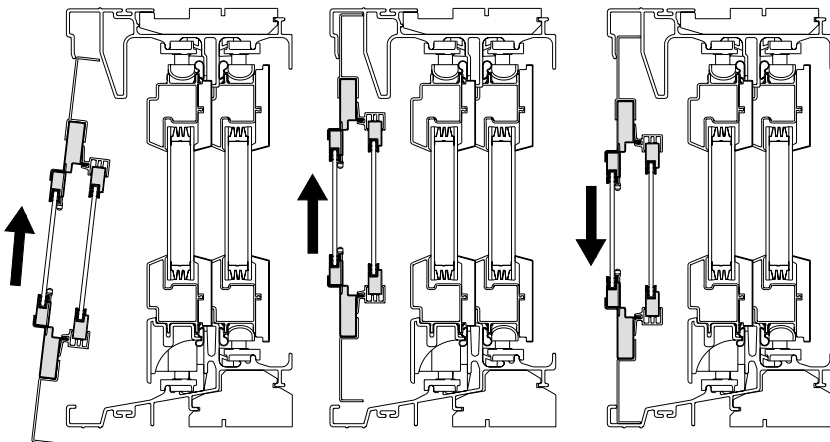
Drill and insert one rivet at a time making sure not to drill through both walls, just the Screen Channel Wall. DO NOT drive rivet pin below rivet head surface.

- Using the Side Jamb Filler Channel as a template, drill a 1/8" hole through one of the pre-drilled holes.
- Insert and set the first rivet by driving the rivet pin flush with the surface of the rivet head. Setting first rivet will prevent misalignment.
- Drill and set rivets for the remaining holes.
- Repeat this procedure for the other Side Jamb Filler Channel.

2. Install Combo Unit

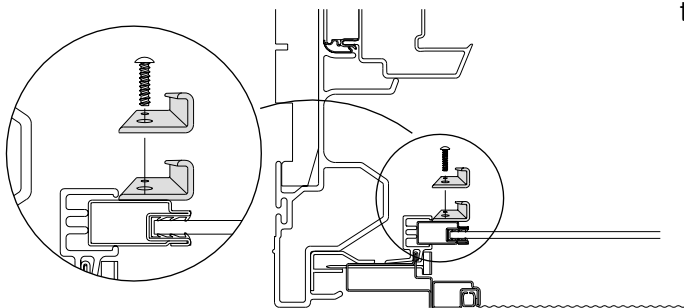
NOTICE

Make sure that the screen panel of the Combo Unit is on the active sash side of window unit. Combo Unit Latch tip must be engaged with Side Jamb Filler Channel to provide a secure attachment of Combo to window.



- Insert top of Combo Unit frame into Window head screen channel as far as it will go.
- Swing lower part of Combo Unit frame into place over sill and lower into sill screen channel.
- Lock Combo Unit Side latches to secure unit into Window.

3. Install Operating Panel Pull



- Use the two (2) #6 - 32" x 3/8" Machine Screws provided to attach the pull to the threaded inserts in the Operating Glass Panel.