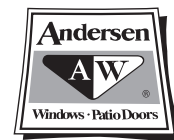


# Arch Window Grille

## for Andersen® AFFW120 Arch Windows



Congratulations, you have just purchased one of the many fine Andersen® products. For ease of installation and continued enjoyment of your Andersen product, please read and follow this Installation Guide completely. You may direct any questions about this or other Andersen products to your local Andersen dealer. Andersen dealers can be found in the Yellow Pages under Windows.

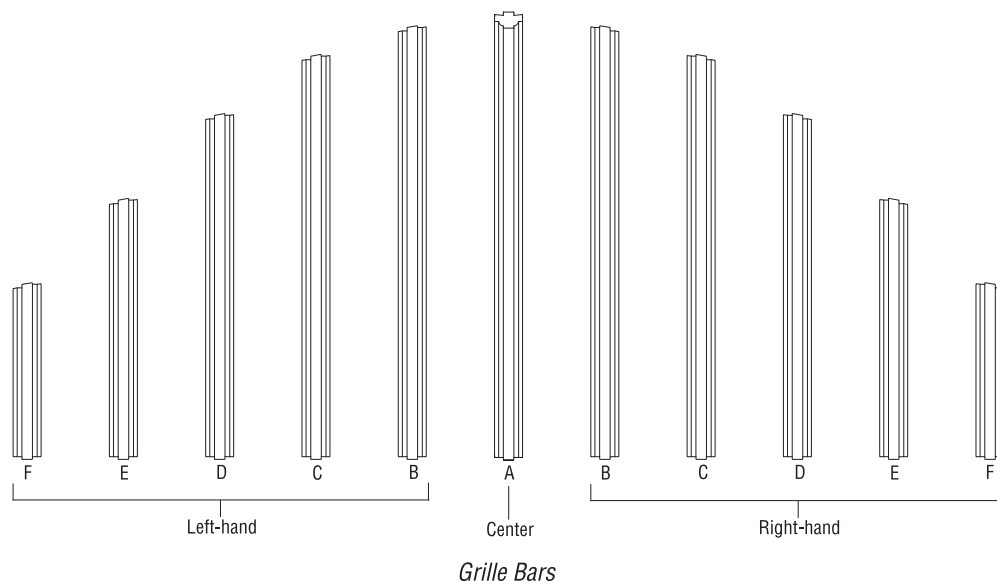
Installer: Please leave this Installation Guide with the home owner to file for future reference. Thank-you for choosing Andersen®.

### Parts included

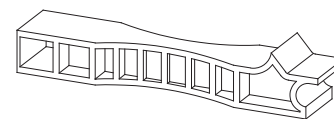
- (1) Center Grille Bar "A"
- (2) Grille Bar "B" (Left and Right-handed)
- (2) Grille Bar "C" (Left and Right-handed)
- (2) Grille Bar "D" (Left and Right-handed)
- (2) Grille Bar "E" (Left and Right-handed)
- (2) Grille Bar "F" (Left and Right-handed)
- (22) Grille Clip
- (1) Installation Tool
- (1) Installation Guide

### Installation Tools Needed

- Tape measure
- Pencil
- Carpenters square or steel square



Grille Clips



Installation Tool

### NOTICE

The top end of the left-hand *Grille Bars* slope to the left. The top end of the right-hand *Grille Bars* slope to the right. The bottom end of all of the *Grille Bars* are symmetrically the same.

### ⚠ WARNING

Improper use of hand or power tools could result in personal injury and/or product damage. Follow equipment manufacturer's instructions for safe operation. Always wear safety glasses.

### ⚠ WARNING

Use of ladders and/or scaffolding and working at elevated levels may be hazardous. Follow equipment manufacturer's instructions for safe operation.

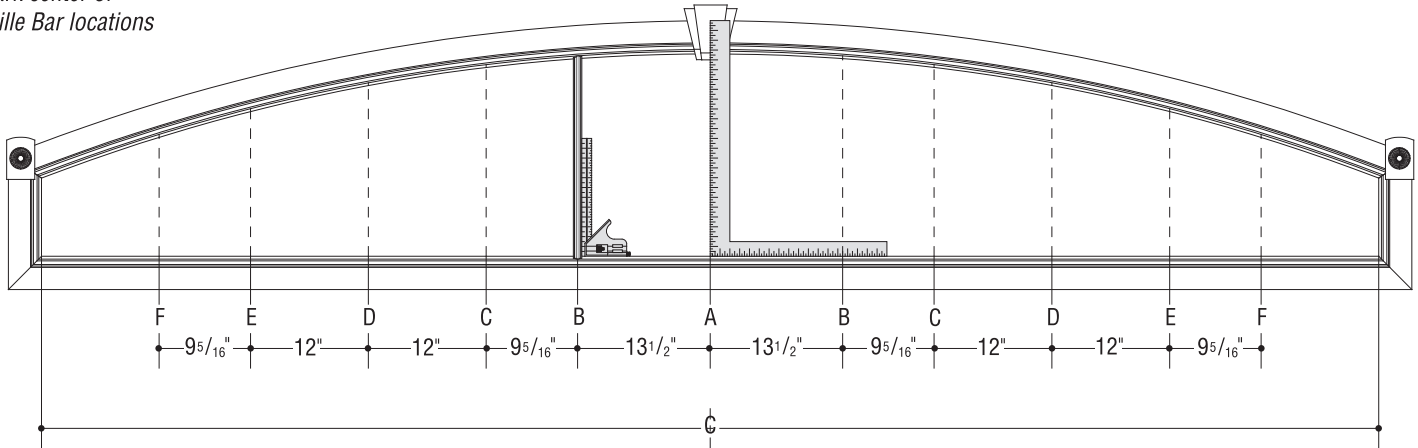
### ⚠ WARNING

Weight of window and door unit(s) and accessories will vary. Use a reasonable number of people with sufficient strength to lift, carry and install window or door unit(s) and accessories. Always use appropriate lifting techniques when lifting.

**1. Mark the Grille Locations**

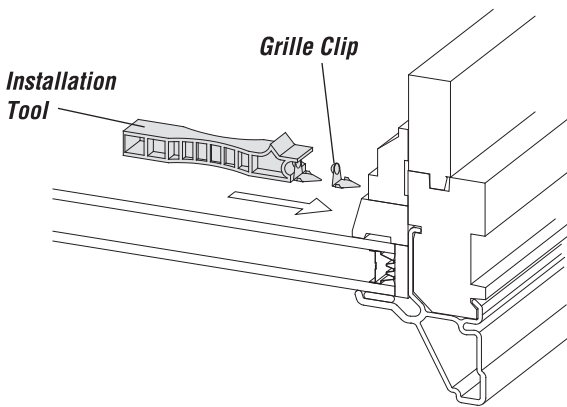
- Measure the full width of the clear glass opening and lightly mark the center point with a pencil on the sill glass stop.
- Using the dimensions shown on the drawing below, lightly mark the location for the center of each *Grille Bar* on the sill glass stop.
- Align a carpenter's square or steel square with the pencil marks on the sill and mark the location for each *Grille Bar's* center on the top glass stop.

Mark center of  
*Grille Bar* locations



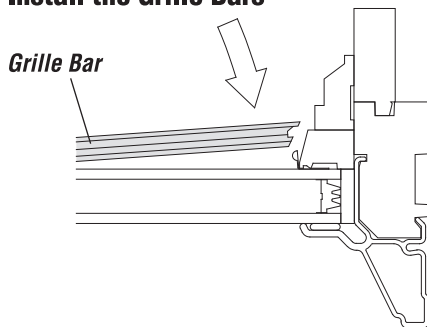
**2. Install the Grille Clips**

- Using the *Installation Tool* provided, install a *Grille Clip* at each penciled *Grille Bar* location.



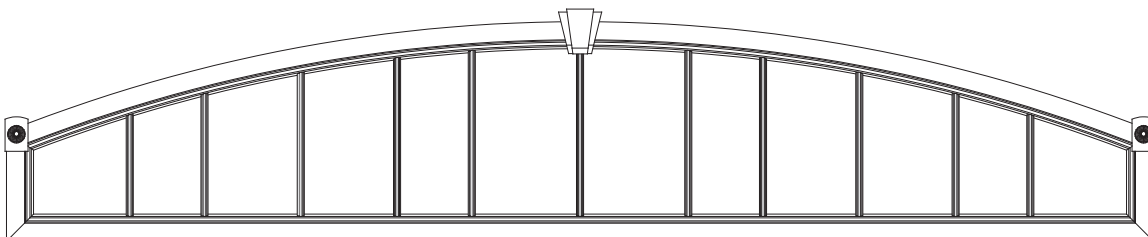
**3. Install the Grille Bars**

- Snap each of the *Grille Bars* into place, making sure the proper lettered *Grille Bar* is located on the correct side, and in the correct location.



**NOTICE**

The top end of the left-hand *Grille Bars* slope to the left. The top end of the right-hand *Grille Bars* slope to the right. The bottom end of all of the *Grille Bars* are symmetrically the same.



**Completed Installation**