

Interior Casing

for Andersen® Springline / Equal Leg Arch Windows with Standard Transition Blocks / Key Block



Congratulations, you have just purchased one of the many fine Andersen® products. For ease of installation and continued enjoyment of your Andersen product, please read and follow this Installation Guide completely. You may direct any questions about this or other Andersen products to your local Andersen dealer. Andersen dealers can be found in the Yellow Pages under Windows.

Installer: Please leave this Installation Guide with the home owner to file for future reference. Thank-you for choosing Andersen®.

Parts included

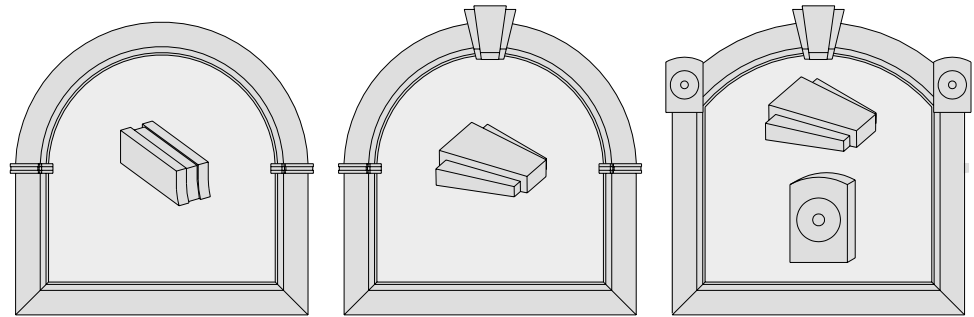
- (1) 180° Interior Arch Casing
or

Two Piece Interior Arch Casing

- (2) Transition Block or Plinth Block

Installation Tools Needed

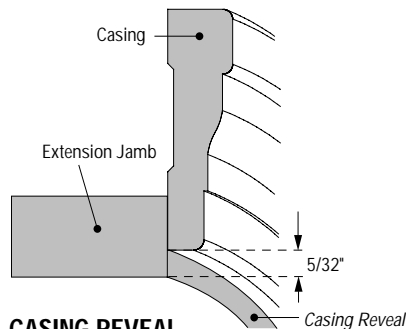
- Safety Glasses
- Pencil
- Combination square
- Saw for cutting wood
- Electric drill
- Drill bit (size determined by finish nail size)
- Finishing nails



Standard Transition Block
(for Springline sizes only)

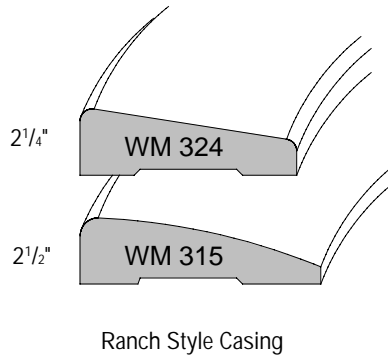
Key Block

Key Block and Plinth Blocks

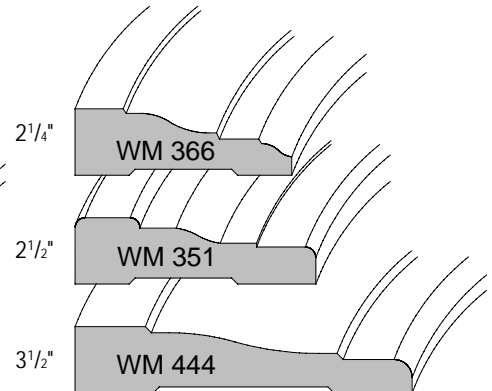


CASING REVEAL

The *Casing Reveal* is designed to be 5/32" from the edge of the extension jamb.



Ranch Style Casing



Colonial Style Casing

NOTICE

- For Arch/Springline window units measuring 6 feet wide or less, *Extension Jambs and Casing* come as a single piece.
- For Arch/Springline window units SP8006, SP801, SP802, ELFW8006, ELFW801, ELFW802, AFFW12006, AFFW1201 and AFFW1202 *Extension Jambs and Casing* come as as two pieces. These units come with a Key Block for trimming the seam where the two extension jambs meet.
- Plinth Blocks (rectangle) are an available option used for interior trimming. They are necessary for trimming a Palladian combination.
- Plinth Blocks (radius) are standard on all "AF" Arch Windows.

⚠ WARNING

Improper use of hand or power tools could result in personal injury and/or product damage. Follow equipment manufacturer's instructions for safe operation. Always wear safety glasses.

⚠ WARNING

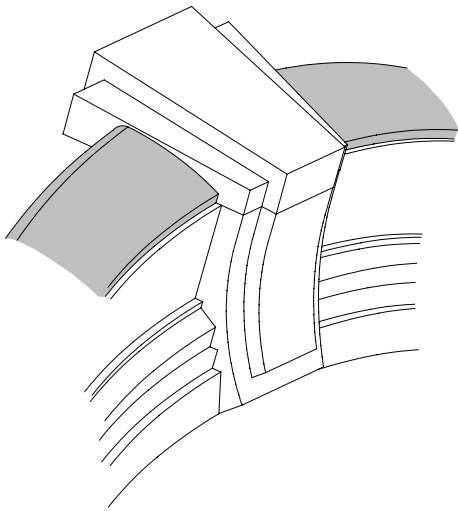
Use of ladders and/or scaffolding and working at elevated levels may be hazardous. Follow equipment manufacturer's instructions for safe operation. Use extreme caution when working around window and door openings. Personal injury and/or falls could occur.

⚠ WARNING

Weight of window and door unit(s) and accessories will vary. Use a reasonable number of people with sufficient strength to lift, carry and install window and door unit(s) and accessories. Always use appropriate lifting techniques.

KEY BLOCK with 2 1/4", 2 1/2" or 3 1/2" CASING Installation

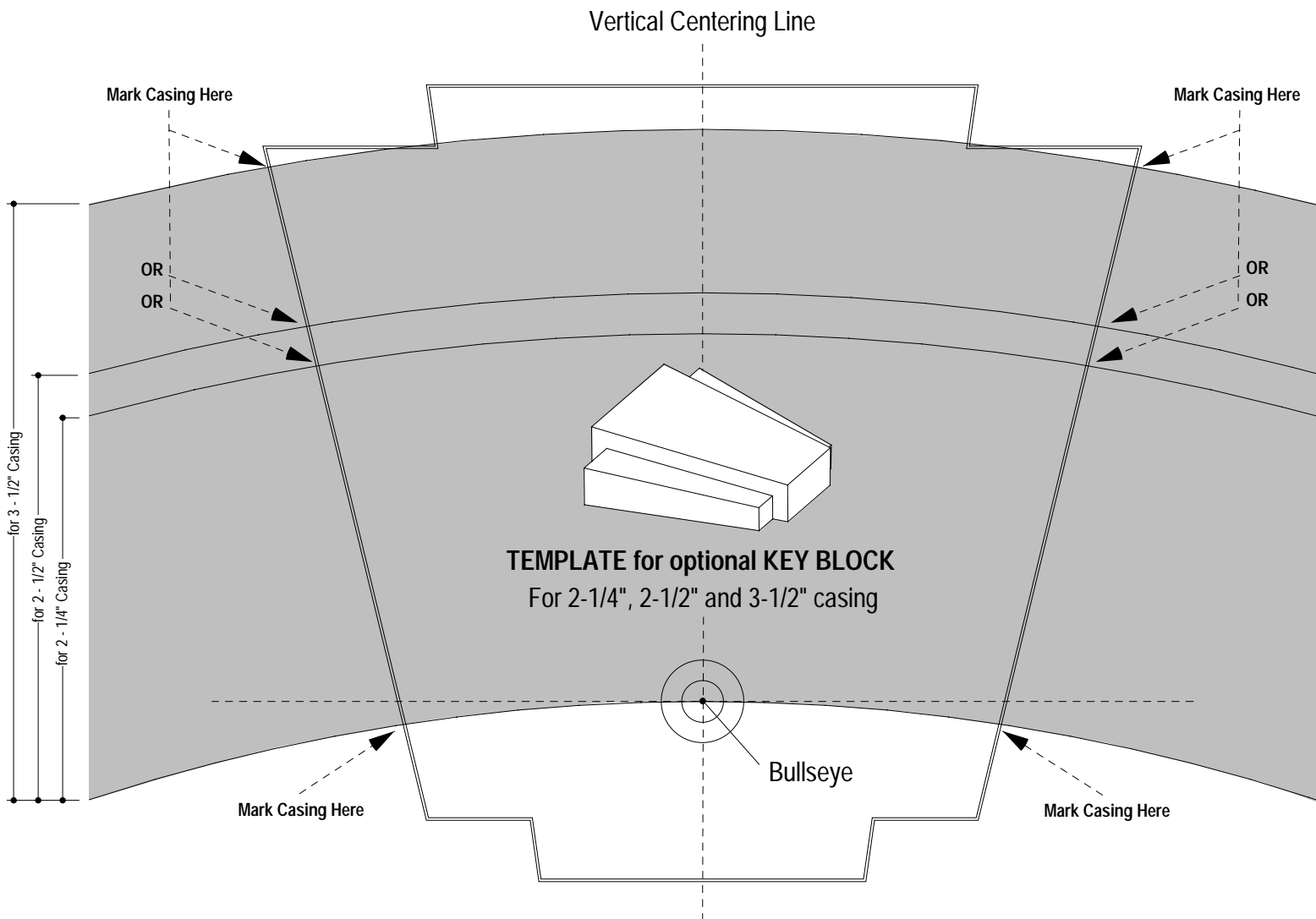
1. Cut Casing to Fit Key Block
(for two piece Interior Arch Casing)



NOTICE

Place Key Block into position then pre-drill nailing holes and nail in place *BEFORE* installing casing. (See the Key Block / Key Component Installation Guide).

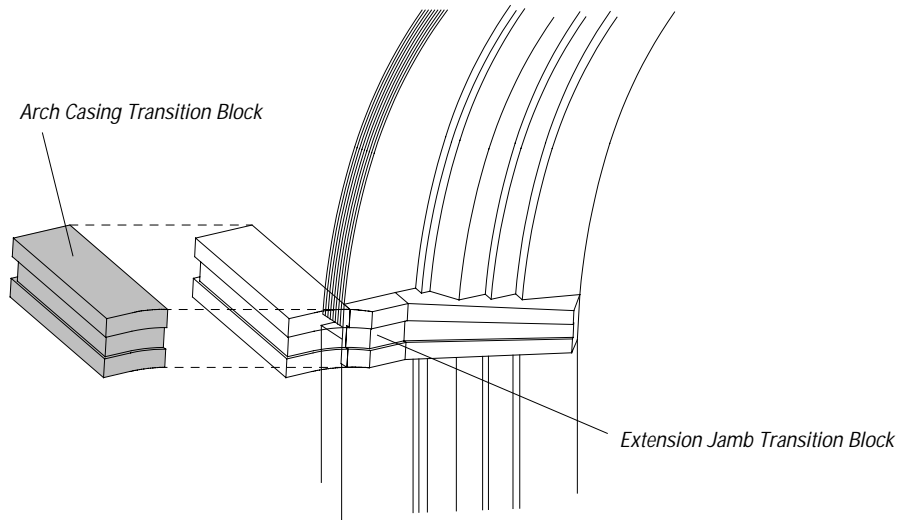
- Using the template below, align the inside corner of the casing with the bullseye symbol on the template.
- Position the template's *Vertical Centering Line* so that it is true with the casing edges.
- Use a pencil to mark casing on its inside and outside edges, where indicated on the template.
- Draw a line connecting the marks (do this for both sides of the template).
- Use the wood saw to cut the casing to the marked size.
- Use finish nails to attach the casing.



STANDARD TRANSITION BLOCK with 2 1/4", 2 1/2" or 3 1/2" CASING for Springline

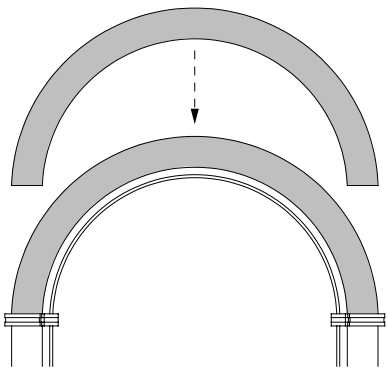
2. Install the Casing Transition Blocks
(for Springline windows)

- Align the *Arch Casing Transition Block(s)* with the *Extension Jamb Transition Block(s)* and nail in place.

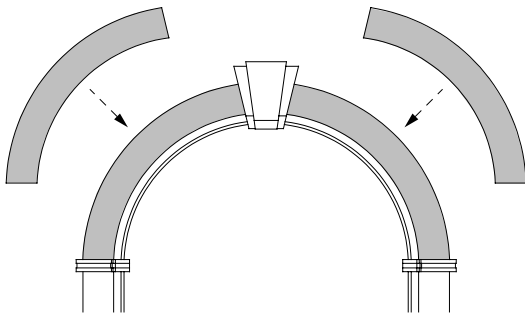


3. Install the Casing for Springline

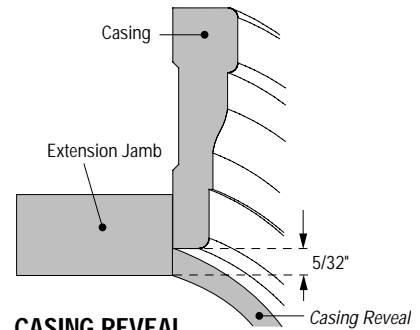
- Position the *Arch Casing* allowing for a 5/32" reveal (see illustration below).
- Pre-drill nail guide holes, and nail in place with finishing nails.



Single piece 180° Arch Casing
for window units that are 6 feet wide or less



Two piece Arch Casing
for window units that are more than 6 feet wide

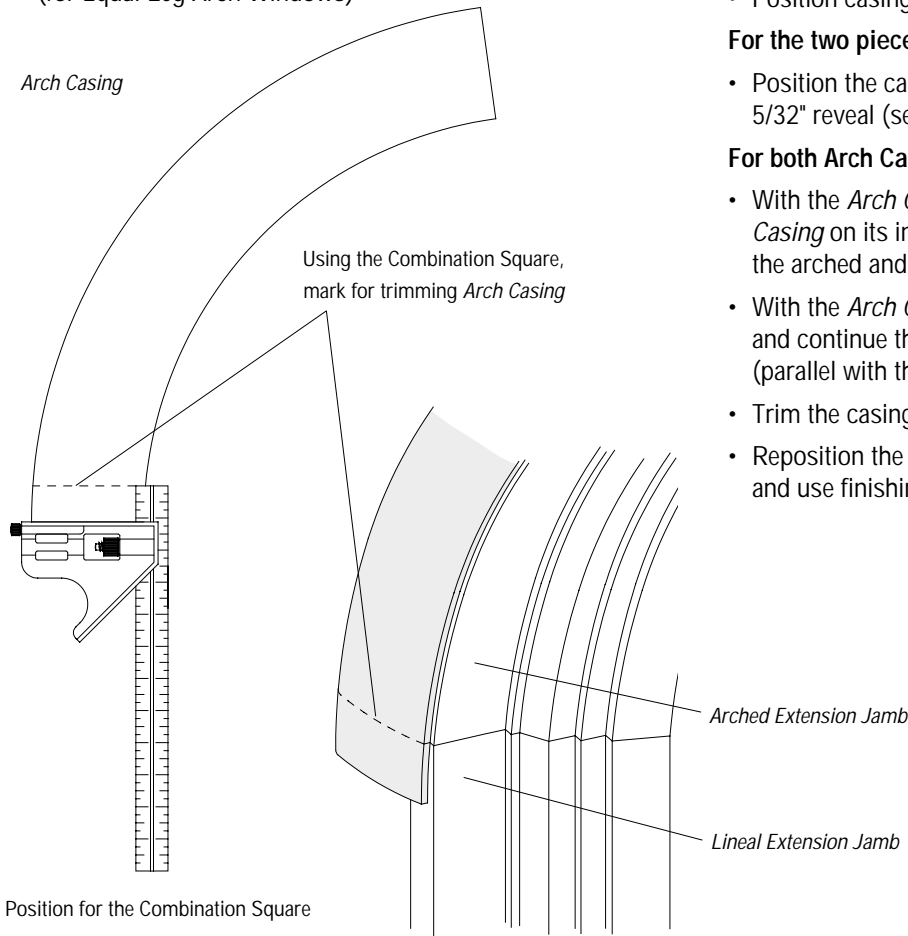


CASING REVEAL

The *Casing Reveal* is designed to be 5/32" from the edge of the extension jamb.

STANDARD TRANSITION BLOCK with 2¹/₄" , 2¹/₂" or 3¹/₂" CASING for Equal Leg Arch Windows**4. Install the Casing Transition Blocks**

(for Equal Leg Arch Windows)

**For the single piece 180° Arch Casing:**

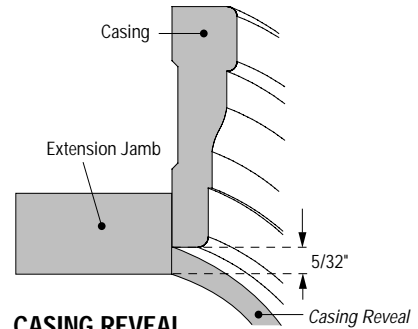
- Position casing allowing for a 5/32" reveal (see illustration below).

For the two piece 90° Arch Casing:

- Position the casing pieces tight to the *Key Block* allowing for a 5/32" reveal (see illustration below).

For both Arch Casing types:

- With the *Arch Casing* in position, use a pencil to mark the *Arch Casing* on its inside edge, where it corresponds to the point where the arched and lineal *Extension Jamb*s meet.
- With the *Arch Casing* still in position, use a combination square and continue the pencil line to mark where to trim the casing (parallel with the end of the casing).
- Trim the casing with a wood saw.
- Reposition the trimmed casing, pre-drill guide holes for the nails and use finishing nails to nail in place.

**CASING REVEAL**

The *Casing Reveal* is designed to be 5/32" from the edge of the extension jamb.

Finishing**CAUTION**

Avoid exposing unfinished wood to high moisture conditions, excessive heat or humidity. Finish interior wood surfaces immediately after installation. Discoloration, bowing and/or splitting could occur.

Andersen has determined that two coats of polyurethane varnish or two coats of paint plus a primer are needed to protect natural wood surfaces. Without these finishes, wood surfaces will discolor and deteriorate from moisture and fungal attack. Please follow these instructions carefully to make sure of satisfactory results. Andersen assumes no liability for incorrectly finished windows or window damage caused by not following these instructions. Before you begin, thoroughly read and follow the instructions and warnings on each container of finish material.

BEFORE FINISHING

- Set all nails with a punch to 1/16" below the wood surface. Fill all nail holes with a quality wood filler and let dry. Lightly sand the wood surfaces with 220-grit sandpaper. Wipe away dust or dirt with a clean cloth before proceeding.

STAINING

- Apply a pre-stain to make sure of a uniform appearance. Apply the pre-stain in the direction of the wood grain.
- Apply the stain according to the manufacturer's instructions. Two coats are recommended for best results. Apply the stain in the direction of the wood grain.
- Apply a coat of quality polyurethane varnish. Wait at least 5 hours (preferably 24 hours), and lightly sand the surface.
- Apply a second coat of polyurethane. Be sure to lap the finish coat 1/16" onto the glass to form a water seal between the glass and wood. Let dry for 24 hours.

PAINTING

- Apply one coat of quality primer/sealer .
- Apply 2 coats of quality trim paint according to the manufacturer's instructions. Be sure to lap the finish coat 1/16" onto the glass to form a water seal between glass and wood. Let dry for 24 hours.

MAINTENANCE

- Immediately sand and refinish any interior wood that becomes stained or mildewed to prevent discoloration and/or damage.
- For further information, contact your local Andersen® supplier. Suppliers can be found in the Yellow Pages under Windows.