

Extension Jamb Transition Block

for Andersen® Springline™ and Equal Leg Arch Windows
with Standard Transition Block



INSTALLER: Please leave this guide with the building owner to file for future reference.

Congratulations! You have just purchased one of the many fine Andersen® products. Proper assembly, installation and maintenance of Andersen products is essential if the benefits of experienced product design and engineering, quality materials, and skilled workmanship are to be fully attained. Therefore, please read and follow this Instruction Guide completely. If your abilities do not match this procedure's requirements contact an experienced contractor. You may direct any questions about this or other products to your local Andersen dealer, found in the Yellow Pages under "windows" or call Andersen WindowCare® service center at 1-888-888-7020 for further direction. Hours are Monday through Friday, 7 a.m. to 7 p.m. Central Time and Saturday, 8 a.m. to 4 p.m. Central Time. Thank you for choosing Andersen.

Important Safety, Assembly, and Installation Information

Every assembly and installation is different (windloads, structural support, etc.) and, Andersen strongly recommends consultation with an Andersen supplier or an experienced contractor, architect, or structural engineer prior to the assembly and installation of any Andersen product. Andersen has no responsibility in regard to the post-manufactured assembly and installation of Andersen products.

⚠ WARNING

Use of ladders and/or scaffolding and working at elevated levels may be hazardous. Follow equipment manufacturer's instructions for safe operation. Use extreme caution when working around window and door openings. Falling from opening may result in personal injury or death.

⚠ WARNING

Improper use of hand or power tools could result in personal injury and/or product damage. Follow equipment manufacturer's instructions for safe operation. Always wear safety glasses.

NOTICE

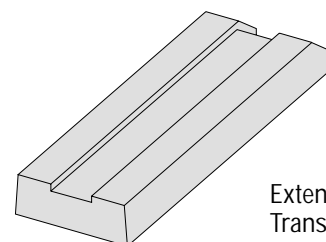
- For Arch window units measuring 6 feet wide or less, Extension Jambs come as a single 180° piece.
- For Arch window units measuring greater than 6 feet wide, Extension Jambs come as as two 90° pieces. These units come with a Key Block for trimming the seam where the two extension jambs meet.
- Plinth Blocks are an available option used for interior trimming. They are necessary for trimming a Palladian combination.
- Transition Blocks come standard with Springline™ units only.

Parts Included

- (1) 180° Extension Jamb
or
- (2) 90° Extension Jamb
- (2) Extension Jamb Transition Block
- (1) Installation Guide

Installation Tools Needed

- Saw for cutting wood
- Hammer
- Finishing Nails
- Pencil



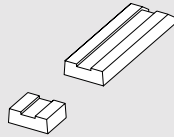
Extension Jamb
Transition Block

1. Attach the Extension Jambs

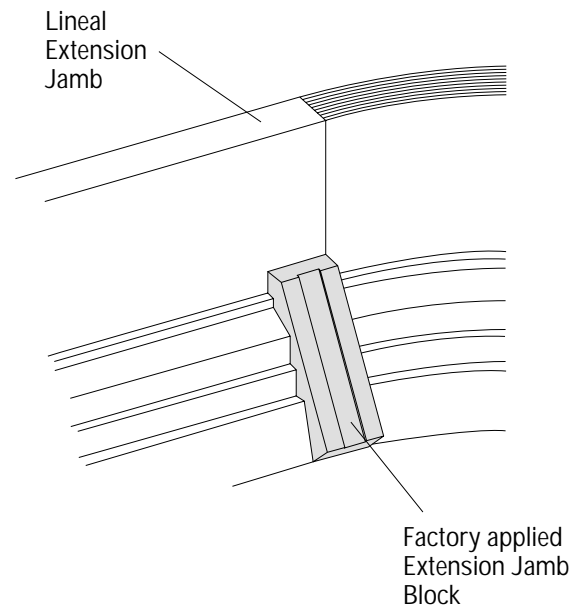
- After the window has been installed, position the *Extension Jambs* into the window unit.

IMPORTANT

- Verify that the Extension Jamb width is correct.
- Modification of the Extension Jamb width may be necessary to fit the wall thickness.
- Extension Jamb Transition Blocks are pre-cut to fit a 7-1/8" thick wall. If the wall thickness is less than 7-1/8" trimming will be necessary. If the Extension Jamb Transition Block requires trimming, trim off **only** the end shown here. **Do not trim the beveled end.**



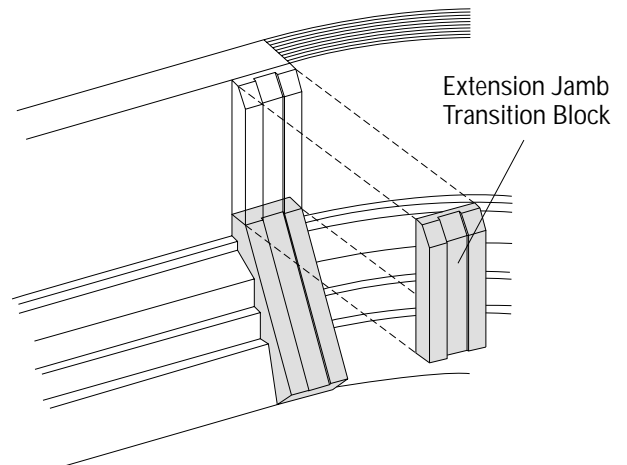
Trim this end only



- Align the ends of the *Extension Jambs* with the seam in the unit (the seam is located in line with the factory applied transition block).
- Pre-drill nailing guide holes in the *Extension Jambs* and nail in place.

2. Install the Extension Jamb Transition Block

- Align the *Extension Jamb Transition Block* with the factory applied transition block found on the unit.
- Nail the pre-drilled *Extension Jamb Transition Block* into place with the nails that are provided.



Interior Casing and Transition Block Installation

Final Casing Installation

- Refer to guide #5074 *Interior Casing* included with the interior casing to apply trim

