

Ramped Sill Insert

for Andersen® Patio Doors

Thank you for choosing Andersen.

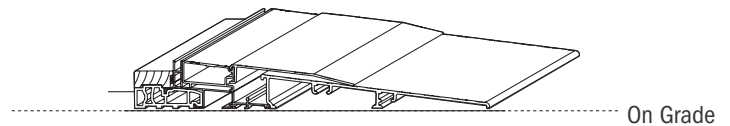
For questions call 1-888-888-7020. For more information and/or guides visit andersenwindows.com.

Please leave this guide with building owner.

- ▶ **Read guide from beginning to end before starting installation. Read all warnings and cautions during unit installation.**
- ▶ **Check with your local building code official to identify and confirm compliance with local building code requirements.**

IMPORTANT / IMPORTANTE

- Andersen® Ramped Sill Insert may not comply with all accessibility requirements in your area. Please consult your local Building Code Official.
- Ramped Sill Insert cannot be used with insect screens.
- Ramped Sill Insert cannot be used with Frenchwood® Hinged Patio Doors with Stormwatch® protection.
- For installations where interior/floor and exterior/surfaces are not on grade, additional ramping may be required. Additional ramping is not supplied by Andersen.
- Follow manufacturer's instructions to stain, seal, or paint Interior Ramp before beginning installation.



Ramp Kit Sizes

Kit Units

- #1 FWH-29, FWH-80 SAS, **FWH-27***, **FWH-50 AS/SA***, **FWH-54 AS/SA***, **FWG/NLGD-50***, **PS-5***
- #2 PS-6, **FWH-90 SAS***, FWH-60 AS/SA, **FWH-31***, **FWG/NLGD-60***, **PS-510***, **PS-9***
- #3 PS-8, **FWG/NLGD-80***, **PS-12***
- #4 FWH-50 AP/PA, **FWG/NLGD-100***
- #5 **FWH-54 AP/PA***, FWH-60 AP/PA, **FWG/NLGD-120***
- #6 FWG/NLGD-160

* These units require minor trimming of Center Ramp and Track Cover.

WARNING

Use caution when working at elevated heights and around unit openings. Follow manufacturers' instructions for ladders and/or scaffolding. Failure to do so may result in injury or death.

WARNING

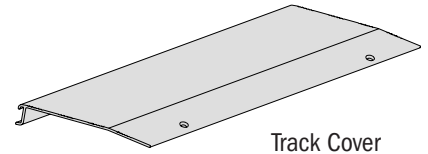
Follow manufacturers' instructions for hand or power tools. Always wear safety glasses. Failure to do so may result in injury and/or product damage.

Parts Included

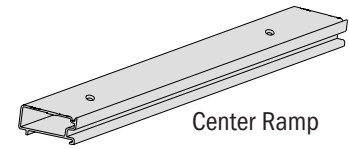
- (1) Instruction Guide
- (1) Interior Ramp
- (1) Center Ramp
- (1) Track Cover
- (1) Exterior Ramp
- (3 or 5) #7 x 5/8" Stainless Steel Screws
- (7) #8 x 1-3/8" Stainless Steel Screws
- (8 or 12) #10 x 2-3/4" Grey Screws
- (1) Silicone Sealant
- (1) Touch-up Paint

Tools and Supplies

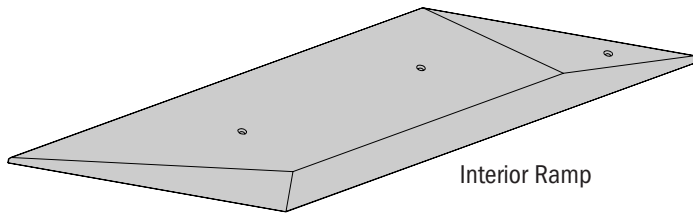
- Safety Glasses
- Tape Measure and Pencil
- Saw for cutting aluminum
- Saw for cutting wood
- Phillips Head Screwdriver
- Drill/Driver
- 1/8" and 3/16" Drill Bits
- Carpenters Square



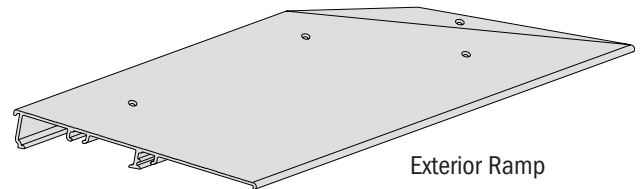
Track Cover



Center Ramp



Interior Ramp



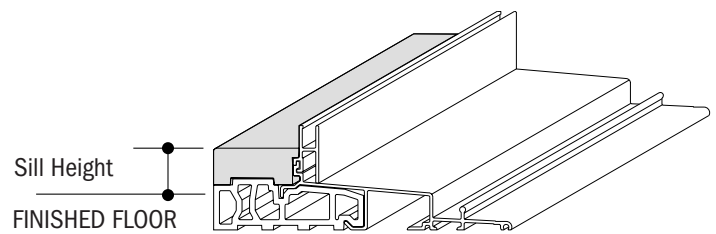
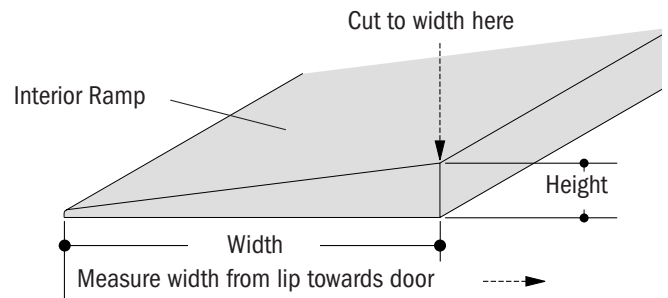
Exterior Ramp

1. Measure and Cut Interior Ramp to Width

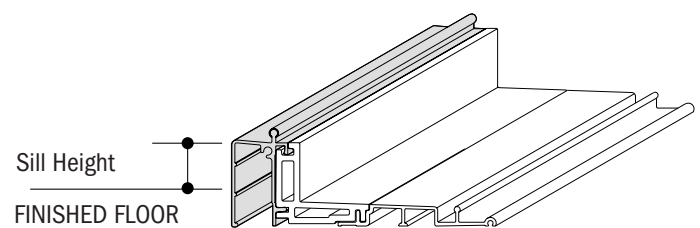
- Measure Sill height.
- Cut Interior Ramp so it is even with the height of the inside edge of the door sill.

NOTICE

For every 1/8" of sill height, 1" of ramp width is required.



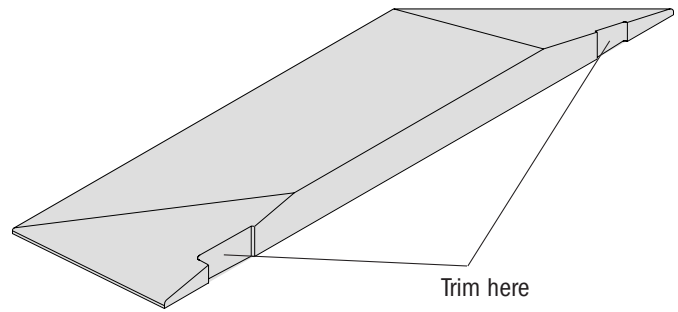
Frenchwood® Hinged Patio Door



Andersen® Gliding Patio Door

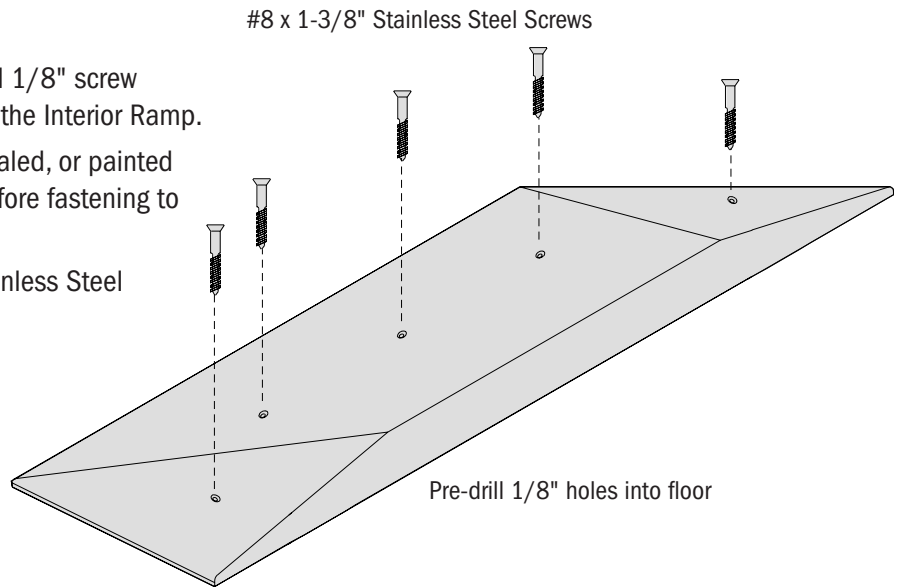
2. Trim Interior Ramp

- Trim Interior Ramp to fit around the interior trim and door frame.



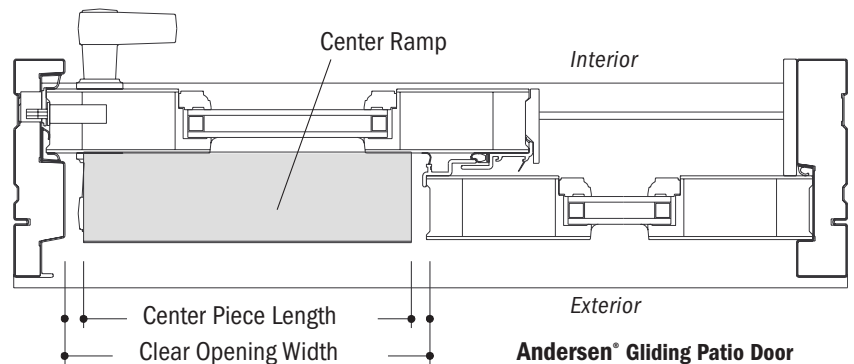
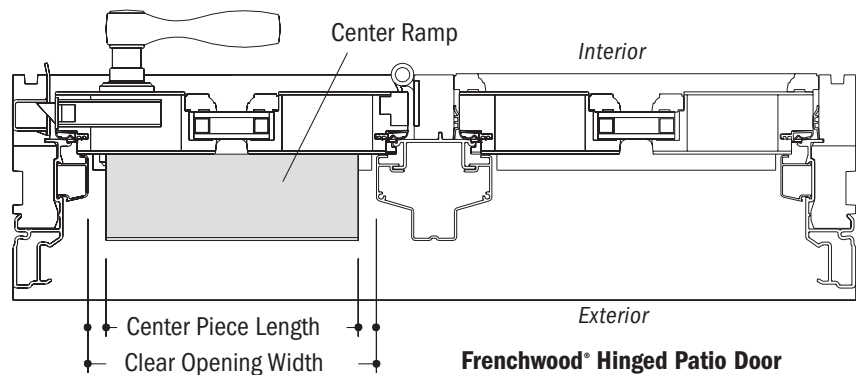
3. Finish and Secure Interior Ramp

- Using the Interior Ramp as a guide, pre-drill 1/8" screw holes 1/2" deep into sub-floor for securing the Interior Ramp.
- Be sure Interior Ramp has been stained, sealed, or painted according to manufacturer's instructions before fastening to floor.
- Secure Interior Ramp with #8 x 1-3/8" Stainless Steel Screws.



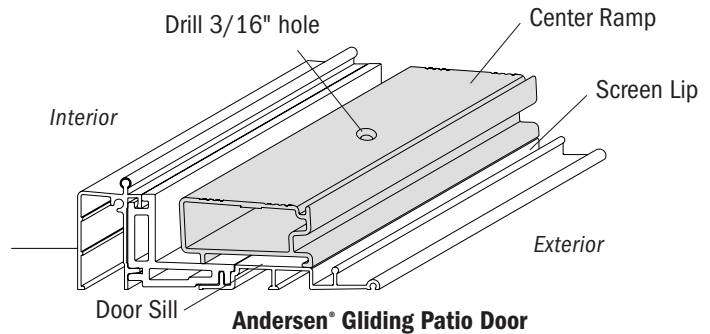
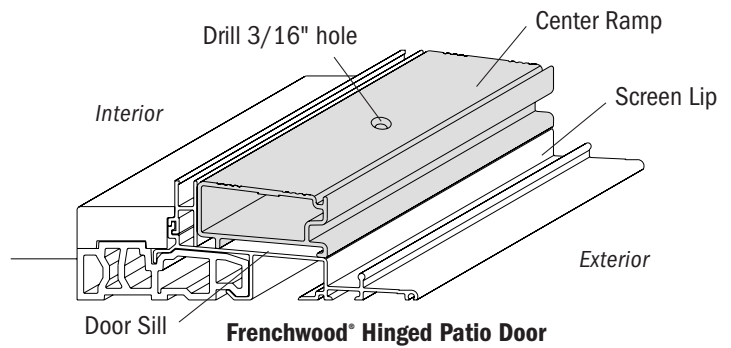
4. Measure and Cut Center Ramp (for Ramp Kit Sizes listed in bold with an asterisk on Page 1)

- Measure clear opening for Center Ramp.
- Cut Center Ramp 1/2" shorter (if required) than opening dimension to allow for water drainage .
- Use touch-up paint where necessary.



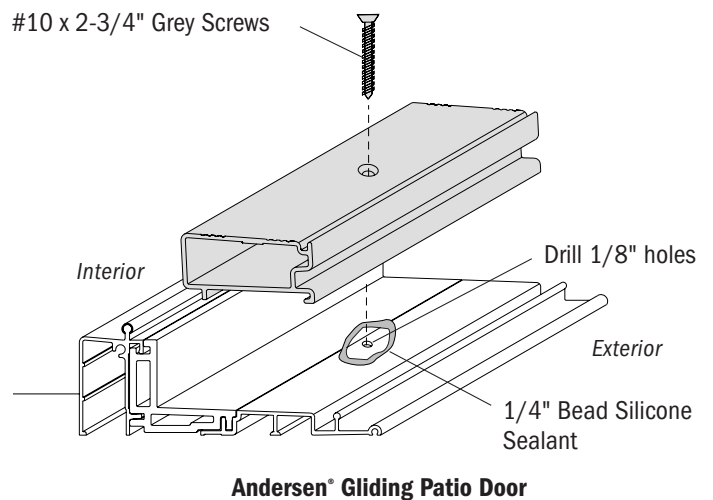
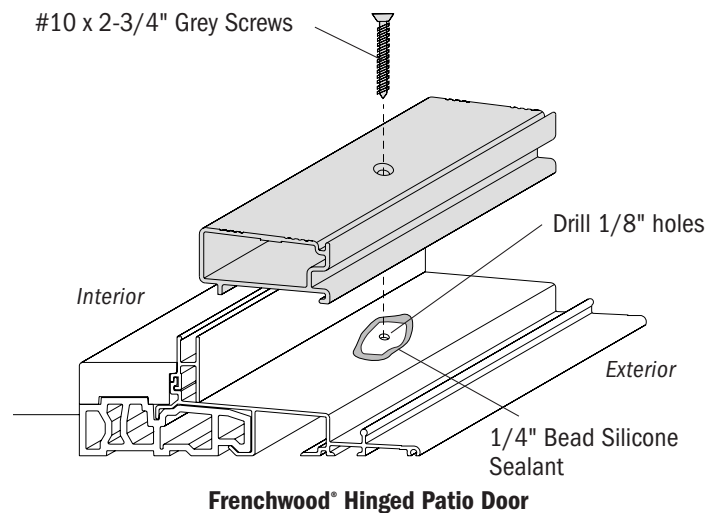
5. Drill Center Ramp and Door Sill

- Align Center Ramp with Screen Lip and center within opening.
- Drill 3/16" holes through Center Ramp and door sill but not into the floor.



6. Seal and Secure Center Ramp

- Drill 1/8" holes 1-1/8" deep into sub-floor.
- Apply 1/4" bead of silicone sealant around holes on door sill.
- Secure Center Ramp with #10 x 2-3/4" Grey Screws.

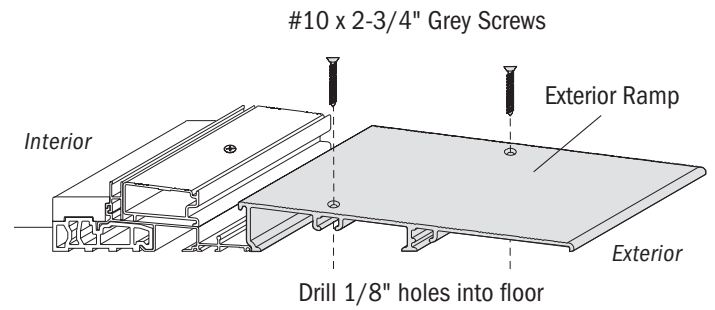


7. Attach Exterior Ramp

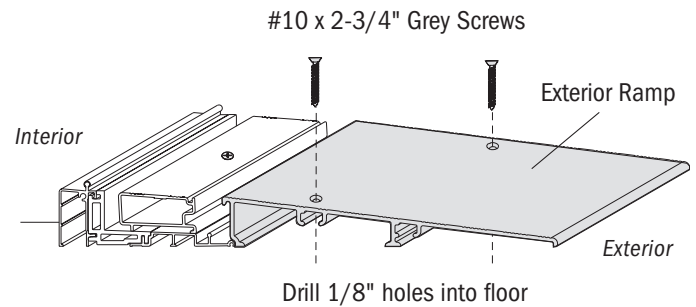
- Align and center Exterior Ramp in opening.
- Drill 1/8" holes 2" deep into the sub-floor through holes in Exterior Ramp.
- Secure Exterior Ramp with #10 x 2-3/4" Grey Screws.

NOTICE

Installer is responsible for additional ramp construction to make sure that interior/floor and exterior/surfaces are on grade, and for proper fasteners when securing Ramped Sill Insert to masonry construction.



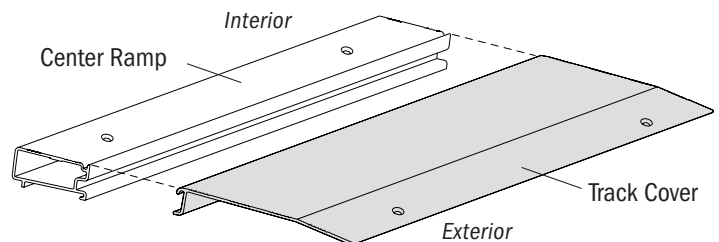
Frenchwood® Hinged Patio Door



Andersen® Gliding Patio Door

8. Cut Track Cover (for Ramp Kit Sizes listed in bold with an asterisk on Page 1)

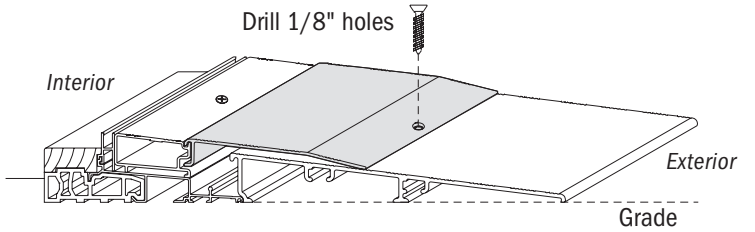
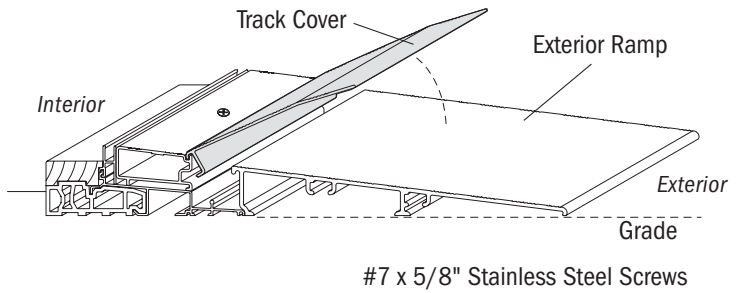
- For Hinged Patio Doors, cut Track Cover 1-3/8" longer than Center Ramp.
- For Gliding Patio Doors, cut Track Cover same length as Center Ramp.
- Use touch-up paint where necessary.



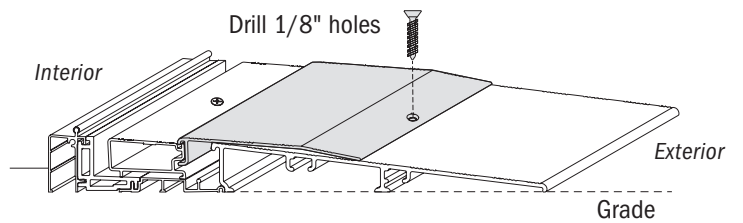
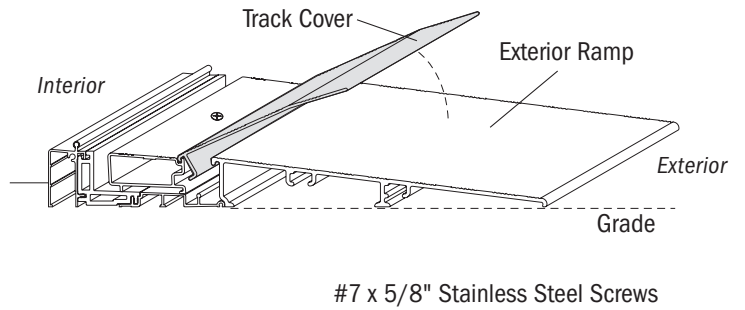
Center ramp shown removed for clarity.

9. Attach Track Cover

- Center Track Cover and rotate into place.
- Using Track Cover as a guide, drill 1/8" holes through full depth of Exterior Ramp.
- Secure Track Cover with #7 x 5/8" Stainless Steel Screws.
- Installation of the Andersen® Ramped Sill Insert is completed.



Frenchwood® Hinged Patio Door



Andersen® Gliding Patio Door