

Insect Screen Astragal

for Andersen® 400 Series Frenchwood® and 200 Series Narroline® Gliding Patio Doors



INSTALLER: Please leave this guide with the building owner to file for future reference.

For ease of installation and continued enjoyment of your Andersen® product, please read and follow this Instruction Guide completely. You may direct any questions about this or other products to your local Andersen dealer, found in the Yellow Pages under “Windows”, or call Andersen WindowCare® service center at 1-888-888-7020 Monday through Friday, 7 a.m. to 7 p.m. Central Time and Saturday, 8 a.m. to 4 p.m. Central Time. Assembly and installation of Andersen products is the sole responsibility of the architect, building owner, contractor and/or consumer and Andersen has no responsibility in this regard. Thank you for choosing Andersen.

⚠ WARNING

Use of ladders and/or scaffolding and working at elevated levels may be hazardous. Follow equipment manufacturer's instructions for safe operation. Use extreme caution when working around window and door openings. Falling from opening may result in personal injury or death.

⚠ WARNING

Improper use of hand or power tools could result in personal injury and/or product damage. Follow equipment manufacturer's instructions for safe operation. Always wear safety glasses.

⚠ WARNING

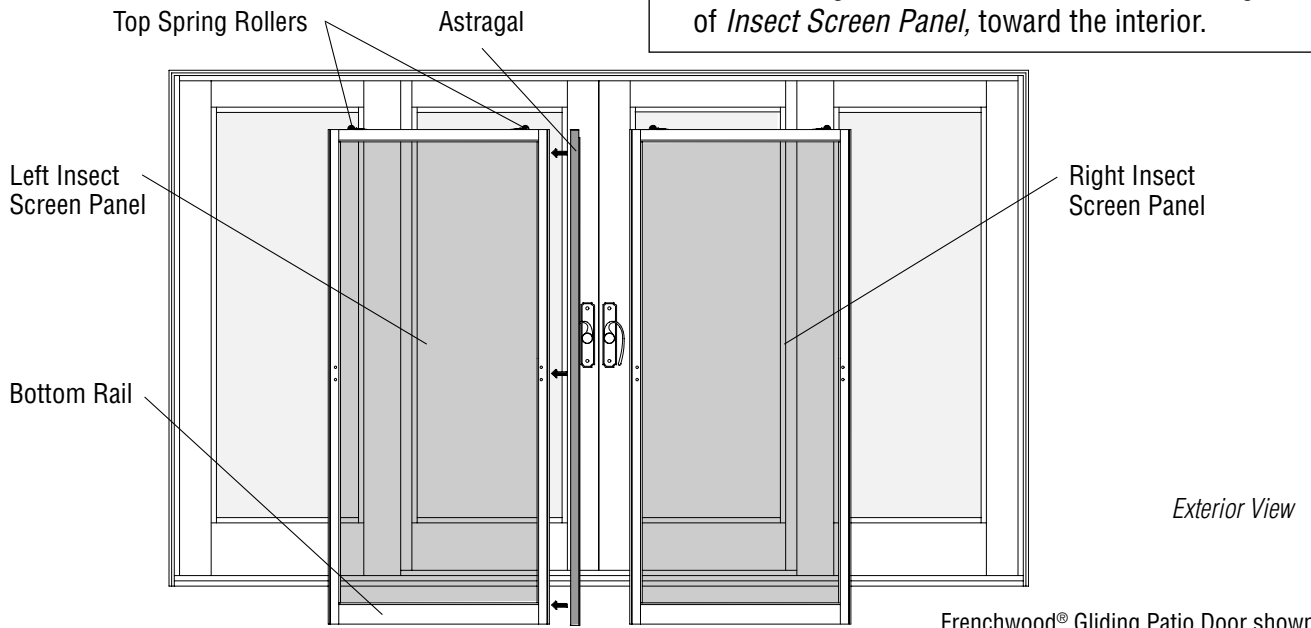
Weight of window and door unit(s) and accessories will vary. Use a reasonable number of people with sufficient strength to lift, carry, and install window and door unit(s) and accessories. Always use appropriate lifting techniques.

⚠ CAUTION

Astragal must be installed on the right side of left Insect Screen Panel as viewed from the exterior.

NOTICE

- Install *Insect Screen Panel* with *Spring Rollers* to the top and wider *Bottom Rail* to the bottom.
- Position *Bug Seal*, located on both vertical edges of *Insect Screen Panel*, toward the interior.



Frenchwood® Gliding Patio Door shown

Parts Included

(1) Astragal Carton

- (1) Instruction Guide
- (1) Aluminum Insect Screen Astragal
- (1) Astragal Hardware Package
- (6) #6 x 5/8" Flat Head Screws
- (2) Astragal Pulls
- (1) Locking Lever

(2) Insect Screen Cartons

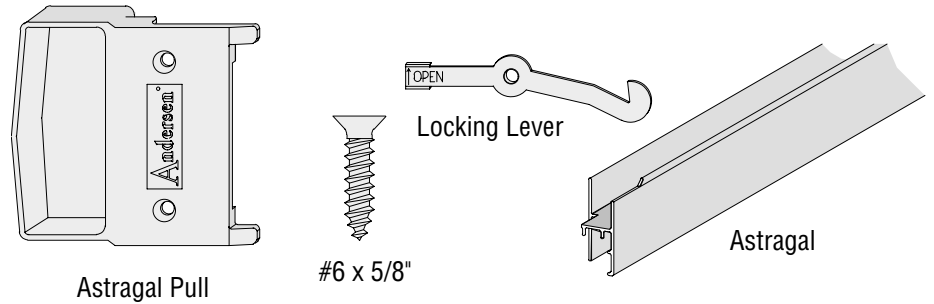
- Each Containing:
- (1) Insect Screen Panel
 - (1) Insect Screen Hardware Package
 - (1) Exterior Pull
 - (1) Interior Pull
 - (2) #6 x 1" Flat Head Screws
 - (1) Identification Plate
 - (2) #6 x 5/8" Flat Head Screws

- Screen parts to be discarded:
- (1) Instruction Guide from Hardware Package
 - (1) Insect Screen Hardware Package
 - (1) Interior Pull from Hardware Package

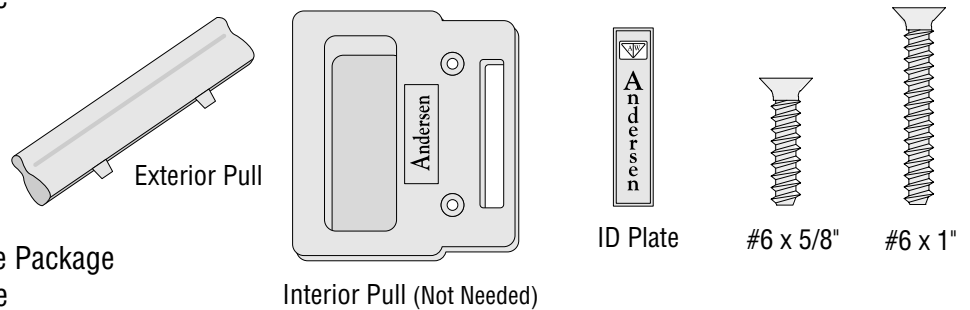
Tools and Supplies

- Safety Glasses
- Phillips Head Screwdriver
- Flat Bladed Screwdriver (For adjustment)
- Drill
- 3/32" Drill Bit

Astragal Hardware Package



Screen Hardware Package



NOTICE

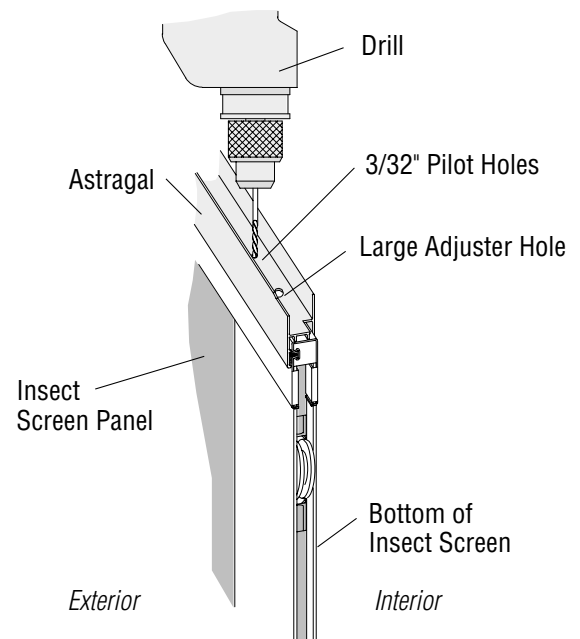
- This Insect Screen Astragal Package is for use on 4-panel doors only.
- Use both the Astragal Hardware Package and (1) Screen Hardware Package to complete the installation.
- **Do Not** use the Instruction Guide included with Insect Screen Panels. Follow this Insect Screen Astragal Instruction Guide.

1. Attach Astragal

CAUTION

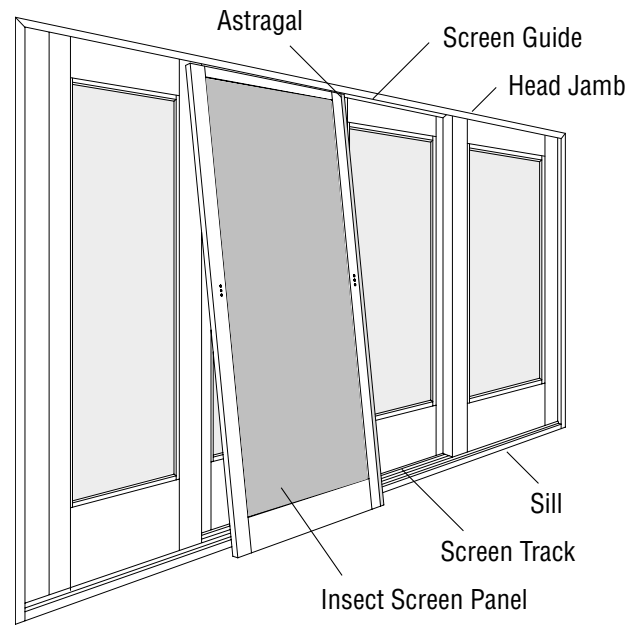
Astragal must be installed on the right side of the left Insect Screen Panel as viewed from the exterior.

- Place one of the *Insect Screen Panels* on edge, right side up as viewed from the exterior.
- Position the *Astragal* on *Insect Screen Panel* so that the *Large Adjuster Hole* on the astragal lines up with the adjustment hole on the bottom of the *Insect Screen*.
- Using the astragal as a template, drill one 3/32" *Pilot Hole* and secure with a #6 x 5/8" screw. **Do Not** overtighten screw.
- Drill remaining 3/32" pilot holes and secure with #6 x 5/8" screws. **Do Not** overtighten screws.



2. Install Insect Screens

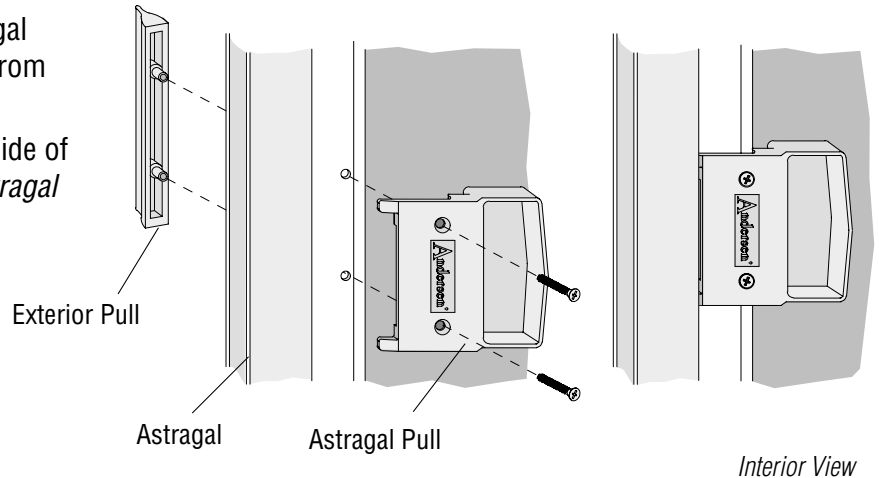
- Position *Insect Screen Panel* with the bug seal to the interior and the wider bottom rail to the *Sill*.
- Insert top rail of panel into the *Screen Guide* of the *Head Jamb*. The self aligning top spring rollers will position themselves on the guide.
- Pushing upwards, swing bottom of the panel in and position bottom rollers on the *Screen Track* of *Sill*.
- Remove second panel from the carton. Repeat this step, installing second panel to the right side of first panel.



Exterior View
Frenchwood® Gliding Patio Door shown

3. Install Pulls

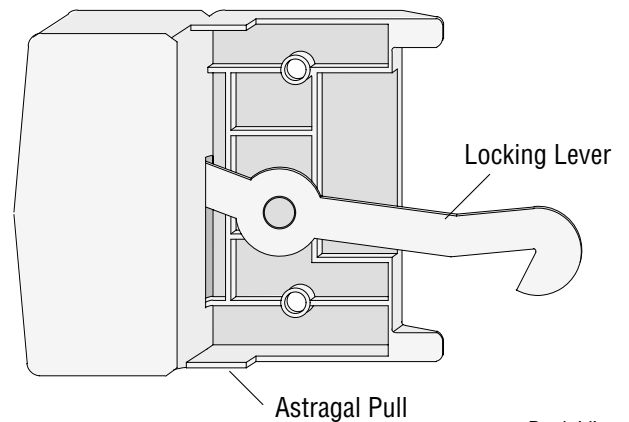
- Remove one *Astragal Pull* from the Astragal Hardware Package and one *Exterior Pull* from the Insect Screen Hardware Package.
- Position the *Exterior Pull* on the exterior side of panel in predrilled holes. Position the *Astragal Pull* on the interior side of the panel.
- Secure with two #6 x 1" flat head screws provided. **Do Not** overtighten screws.



Interior View

4. Assemble Astragal Pull and Locking Lever

- Remove one *Astragal Pull* and one *Locking Lever* from the Astragal Hardware Package.
- Assemble by inserting hook end of *Locking Lever* through slot in *Astragal Pull*. Position hole in lever over the stud on backside of pull.



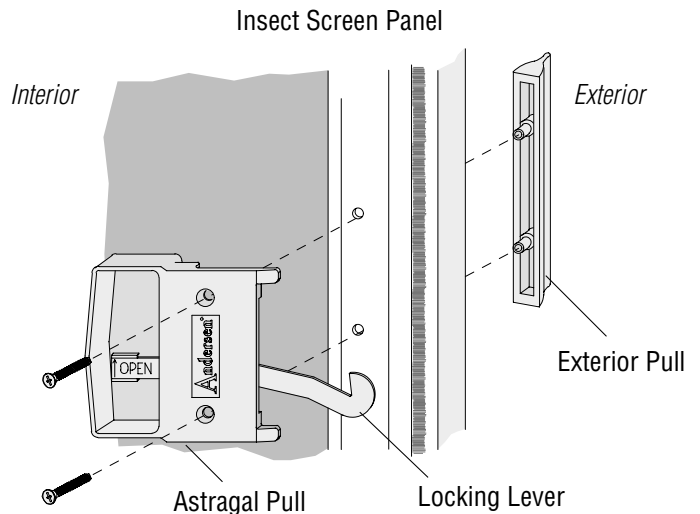
Back View

5. Attach Pull

- Remove one *Exterior Pull* from the Insect Screen Hardware Package.
- Position the *Exterior Pull* on the exterior side of panel in predrilled holes. Position assembled *Astragal Pull* with *Locking Lever* on the interior side of the panel.
- Secure with two #6 x 1" flat head screws provided. **Do Not** overtighten screws.
- *Locking Lever* should move freely.

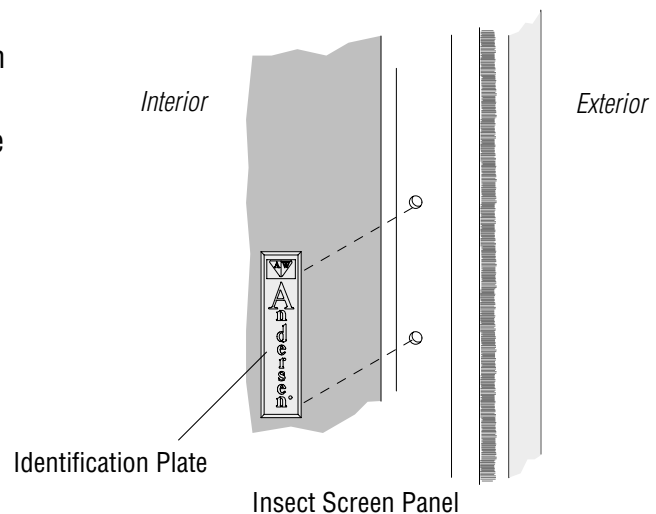
NOTICE

Make sure both *Exterior Pulls* are on exterior side of *Insect Screen Panels*.



6. Attach Identification Plate

- Remove one panel from door frame. To remove, push panel upwards and swing bottom out.
- Position *Identification Plate* on the exterior side of the panel.
- Secure with two #6 x 5/8" screws provided. **Do Not** overtighten screws.
- Replace panel in door frame. (Step 2)
- Repeat this step for the second panel.



7. Check Insect Screen Panel and Locking Lever Operation

- Check *Insect Screen Panel* operation. Make sure that top and bottom rollers are properly seated on *Screen Tracks* and that panel is level.
- If the bottom of the panel appears not to be level or drags, insert a screwdriver into the *Adjusting Hole* and turn screw to raise or lower.
- Repeat this step for the second panel.
- Check *Locking Lever* operation. With both panels in place, test the operation of the lever as it engages into the astragal.
- If there is interference, the *Locking Lever* can be adjusted by bending slightly.

