

Auxiliary Casing

for Andersen® Windows and Patio Doors



Congratulations! You have just purchased one of the many fine Andersen® products. For ease of assembly and installation and continued enjoyment of your Andersen® product please read and follow this Instruction Guide completely. You may direct any questions about Andersen® products to your local Andersen® dealer. Andersen® dealers can be found in the Yellow Pages under Windows.

Installer: Please leave the Installation Guide with the owner to file for future reference. Thank you for choosing Andersen®.

Importance of Proper Assembly and Installation

Proper assembly, installation, and maintenance of Andersen products are essential if the benefits of experienced product design and engineering, quality materials, and skilled workmanship are to be fully attained. General recommendations regarding assembly and installation are guidelines only. Every assembly and installation is different (windloads, structural support, etc.), and Andersen strongly recommends consultation with an Andersen supplier or an experienced contractor, architect, or structural engineer prior to the assembly and installation of any Andersen product. Assembly and installation of Andersen products is the sole responsibility of the architect, building owner, contractor and/or consumer and Andersen has no responsibility in this regard.

Parts Included

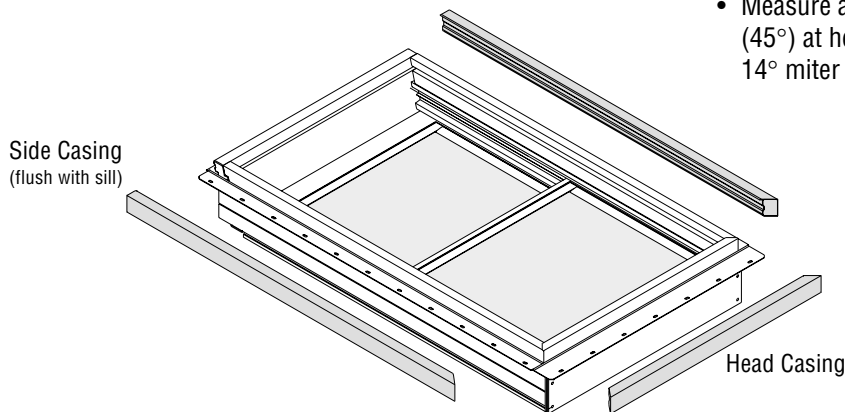
1-3/16" x 1-3/16" x 150" piece of Auxiliary Casing

Installation Tools and Supplies Needed:

- Safety Glasses
- Tape Measure
- Pencil
- Power Saw
- Caulk Gun
- Quality Silicone Sealant
- Electric Drill & Drill Bits
- 4d (1-1/2") Galvanized Screws
- 2d (1") Galvanized Screws (Gliding Windows Only)

1. Measure and Cut Auxiliary Casing

- Measure and miter cut (45°) *Auxiliary Casing* for head of unit.
- Measure and cut *Auxiliary Casing* for sides of unit. Miter cut (45°) at head and cut opposite end flush with sill of unit. (Use 14° miter cut at sill for Double-Hung units.)



⚠ WARNING

Improper use of hand or power tools could result in personal injury and/or product damage. Follow equipment manufacturer's instructions for safe operation. Always wear safety glasses.

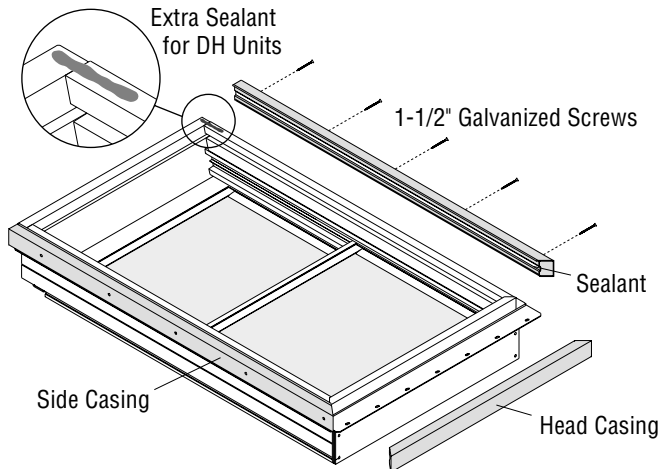
⚠ WARNING

Use of ladders and/or scaffolding and working at elevated levels may be hazardous. Follow equipment manufacturer's instructions for safe operation. Use extreme caution when working around window and door openings. Personal injury and/or falls could occur.

⚠ WARNING

Weight of window and door unit(s) and accessories will vary. Use a reasonable number of people with sufficient strength to lift, carry and install window and door unit(s) and accessories. Always use appropriate lifting techniques.

2. Attach Auxiliary Casing to Sides of Window Unit

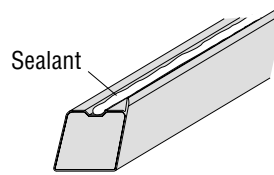


CAUTION

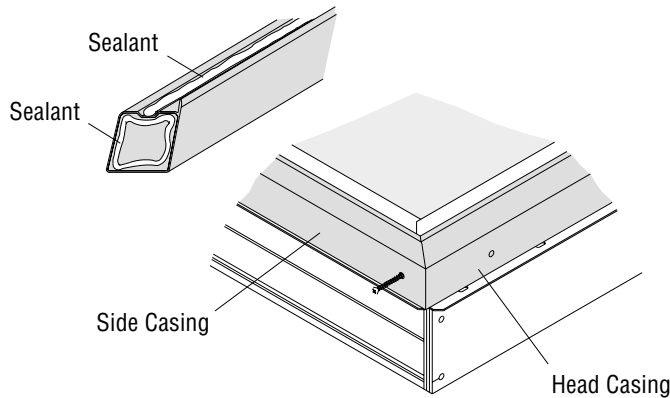
For Double-Hung Units Only

Outer Frame is offset at Sill. Apply extra sealant in this area to prevent water leakage.

- Predrill holes approximately 10" apart along *Side Casing*.
- Apply continuous bead of sealant along inner notch on side of casing facing unit.
- Secure with 4d (1-1/2") galvanized screws.
- Check fit of *Head Casing* at head jamb.

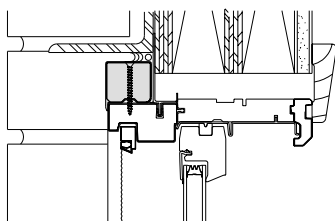


3. Apply Silicone/Secure Miter Joints with Screws

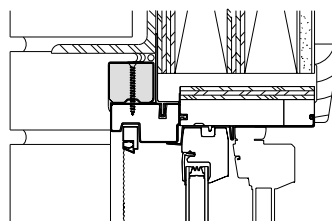


- Predrill through *Side Casing* into *Head Casing*.
- Predrill through *Head Casing* and into, but not through head jamb of unit.
- Apply silicone sealant to full face of 45° miter of *Head Casing* and a continuous bead of sealant along inner notch of casing facing unit.
- Secure miter joints with 4d (1-1/2") galvanized screws. Seal screws with matching color silicone sealant.
- Clean off excess sealant at miter joints.

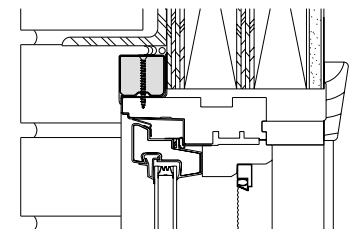
Typical Installation Details



Tilt-Wash Double-Hung

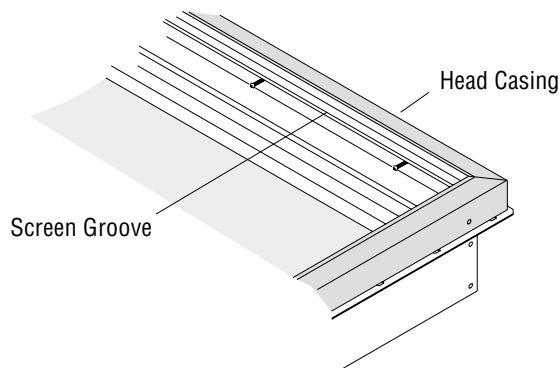


Narroline Double-Hung



Casement or Awning

Gliding Window Only



- Predrill through *Screen Groove* on under side of outer frame head member and into, but not through, *Head Casing*.
- Secure *Casing* with 2d (1") galvanized screws.

