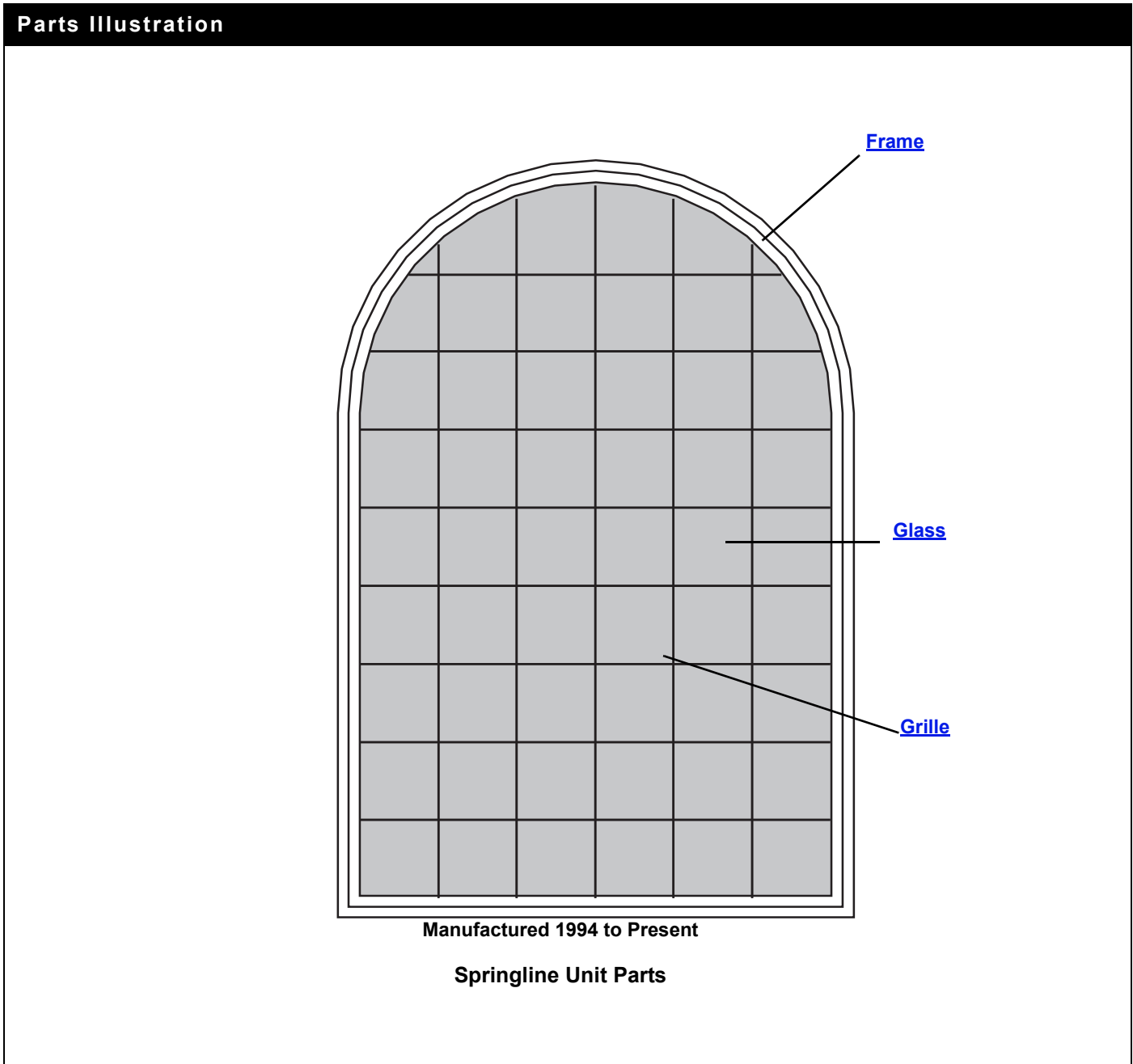


What's in This Section

Standard Windows	Page 3
Parts Illustration	3
Unit Sizes	4
Glass	6
Glass Size Table	6
Glass	8
Glass Parts	9
Grilles	10
Interior Grilles - Colonial	10
Interior Grilles - Renaissance	14
Frames	18
Frame Assembly	18
Trim Options and Applications	19
Extension Jambs	20
Inside Casing	22
Block - Component Key	22
Trim Parts	23
Installation Flanges	23
Installation Kits for Standard (Non-IR) Units	23
Joining Components	24
Narrow Mullion	24
Support Mullion	25
Stormwatch™ Protection (Coastal Product)	Page 27
Glass	27
Glass (Impact Resistant)	27
Frames	28
Inside Casing (Impact Resistant)	28
Installation Kit (For Impact Resistant Units)	28
Service Replacement	Page 29
Service Replacement Only Parts	29
Exterior Grilles - HDN	29



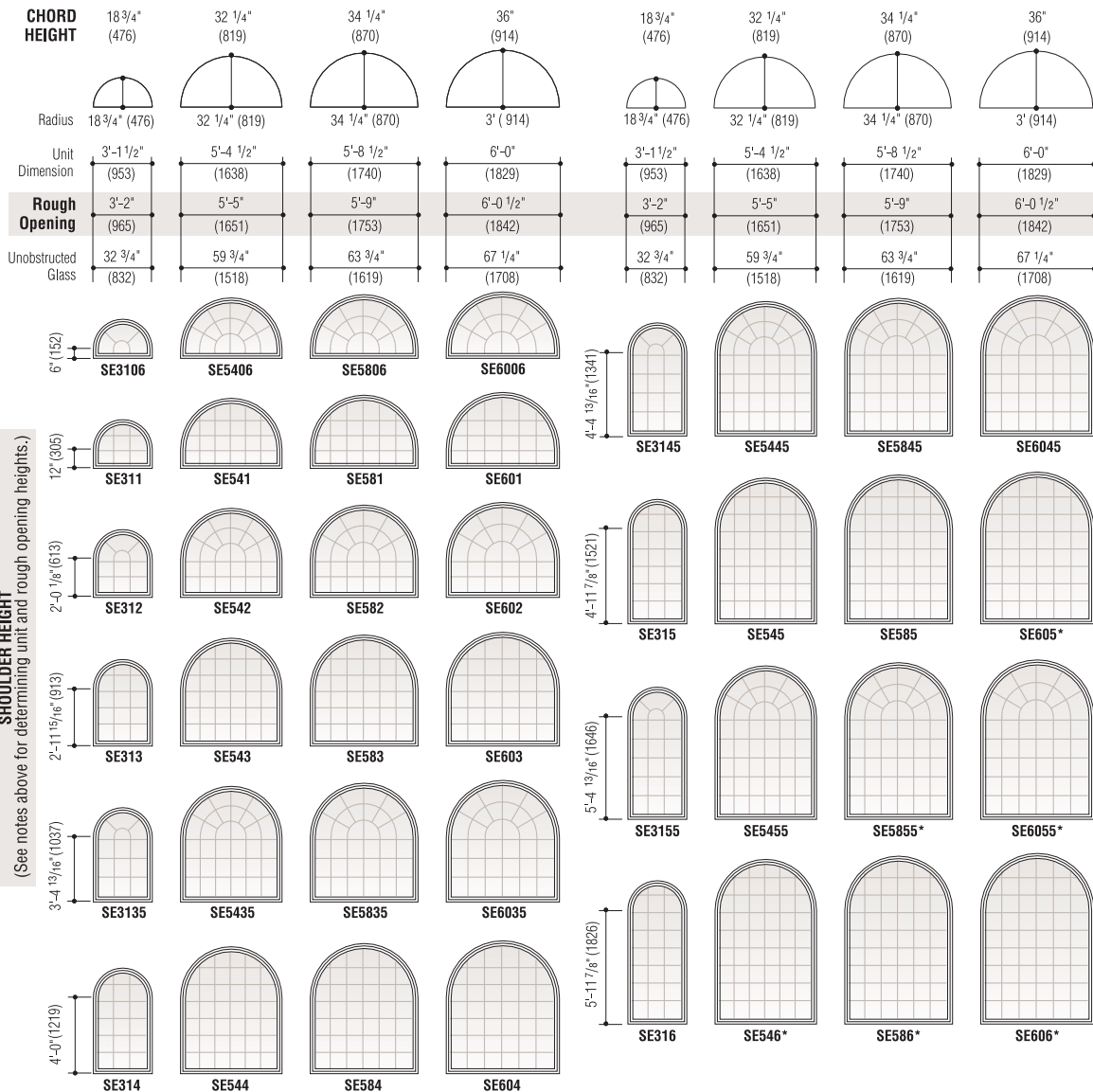
Unit viewed from exterior.

Unit Sizes

Unit Size Chart

Note:

Unit Dimension refers to overall outside-to-outside frame. Unobstructed Glass refers to visible glass dimensions. Numbers in parentheses are metric measurements. Units with an asterisk (*) come standard with tempered glazing.



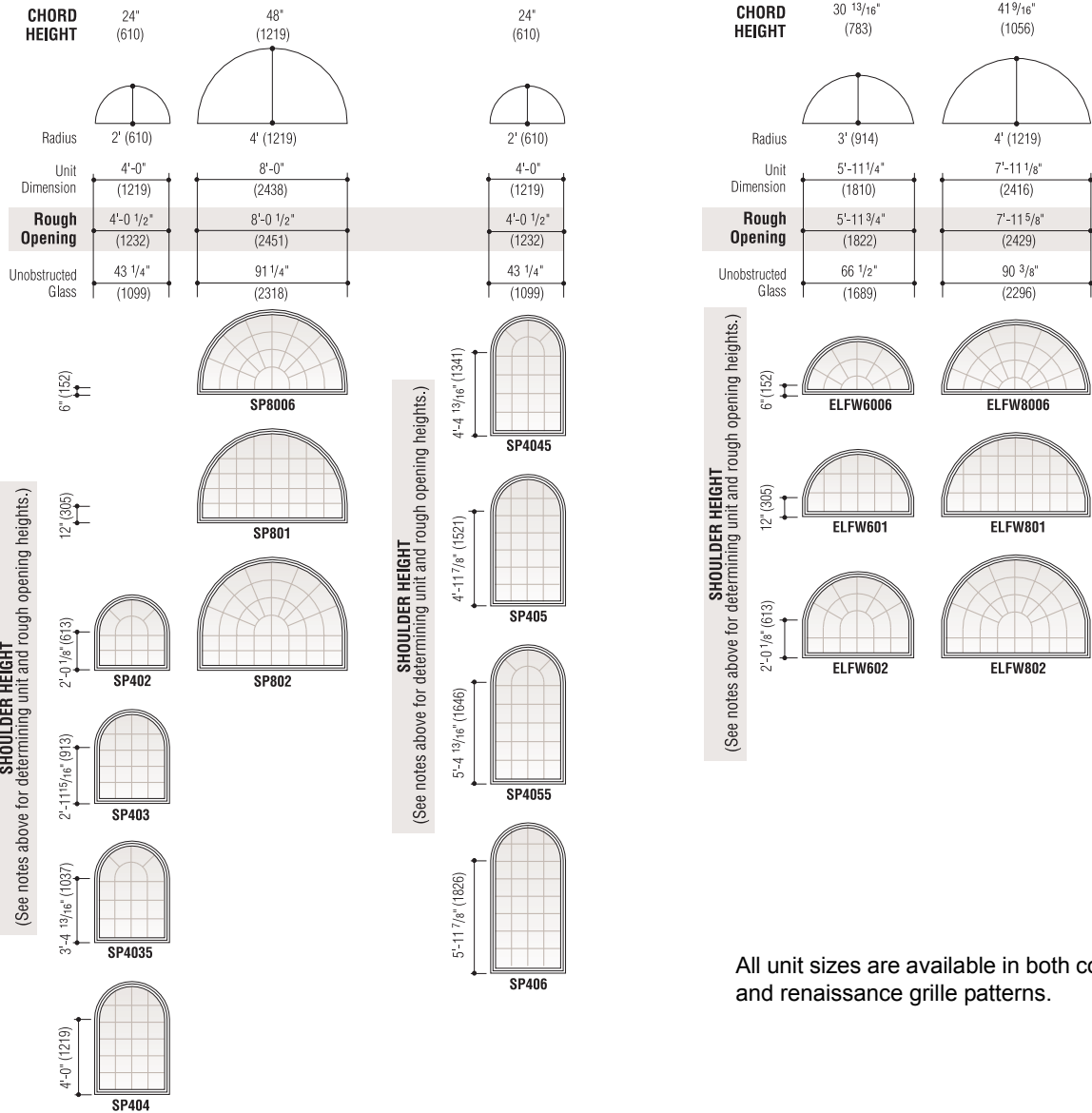
Springline Unit Sizes

Unit viewed from exterior.

Unit Sizes

Note:

Unit Dimension refers to overall outside-to-outside frame. Unobstructed Glass refers to visible glass dimensions. Numbers in parentheses are metric measurements.



All unit sizes are available in both colonial and renaissance grille patterns.

Springline Unit Sizes

Unit viewed from exterior.

Glass

Glass Size Table

Note:

Width and height are measured at the highest point.

Glass Size Table		
Unit No.	Unobstructed Glass (w x h)	Actual Glass (w x h)
SE3106	32 3/4 x 20	34 3/16 x 21 7/16
SE311	32 3/4 x 26	34 3/16 x 27 7/16
SE312	32 3/4 x 36 1/8	34 3/16 x 39 7/16
SE313	32 3/4 x 49 15/16	34 3/16 x 51 3/8
SE3135	32 3/4 x 54 13/16	34 3/16 x 56 1/4
SE314	32 3/4 x 62	34 3/16 x 63 7/16
SE3145	32 3/4 x 66 13/16	34 3/16 x 68 1/4
SE315	32 3/4 x 74 3/4	34 3/16 x 75 5/16
SE3155	32 3/4 x 79 9/16	34 3/16 x 80 1/4
SE316	32 3/4 x 86 3/4	34 3/16 x 87 5/16
SE5406	59 3/4 x 33 1/2	61 3/16 x 34 15/16
SE541	59 3/4 x 35 1/2	61 3/16 x 40 15/16
SE542	59 3/4 x 51 5/8	61 3/16 x 53 1/16
SE543	59 3/4 x 63 3/4	61 3/16 x 64 7/8
SE5435	59 3/4 x 68 5/16	61 3/16 x 69 3/4
SE544	59 3/4 x 75 1/2	61 3/16 x 79 15/16
SE5445	59 3/4 x 80 5/16	61 3/16 x 81 3/4
SE545	59 3/4 x 87 1/2	61 3/16 x 88 13/16
SE5455	59 3/4 x 92 5/16	61 3/16 x 93 3/4
SE546	59 3/4 x 99 3/8	61 3/16 x 100 13/16
SE5806	63 3/4 x 35 1/2	65 3/16 x 36 15/16
SE581	63 3/4 x 41 1/2	65 3/16 x 42 15/16
SE582	63 3/4 x 53 5/8	65 3/16 x 55 1/16
SE583	63 3/4 x 65 3/4	65 3/16 x 66 7/8
SE5835	63 3/4 x 70 5/16	65 3/16 x 71 3/4
SE584	63 3/4 x 77 1/2	65 3/16 x 78 15/16
SE5845	63 3/4 x 82 5/16	65 3/16 x 83 3/4
SE585	63 3/4 x 89 3/8	65 3/16 x 90 13/16
SE5855	63 3/4 x 94 5/16	65 3/16 x 95 3/4
SE586	63 3/4 x 101 3/8	65 3/16 x 102 13/16
SE6006	67 1/4 x 37 1/4	68 11/16 x 38 11/16
SE601	67 1/4 x 43 1/4	68 11/16 x 44 11/16

Springline™ Windows (1994 to Present)

Standard Windows

Glass

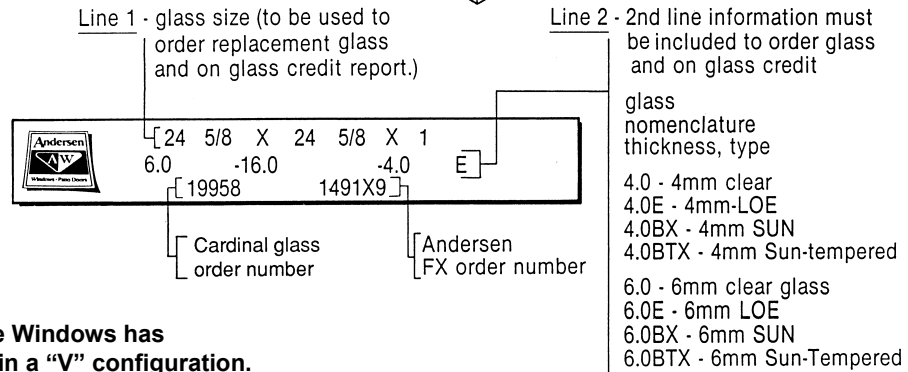
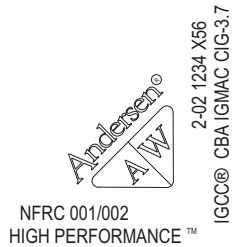
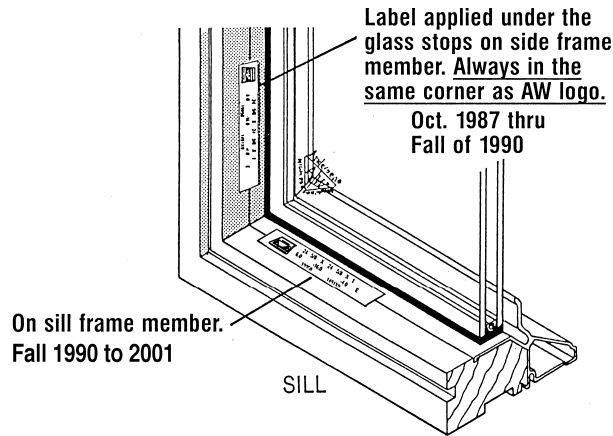
Glass Size Table		
Unit No.	Unobstructed Glass (w x h)	Actual Glass (w x h)
SE602	67 1/4 × 55 3/8	68 11/16 × 56 13/16
SE603	67 1/4 × 67 1/8	68 11/16 × 68 5/8
SE6035	67 1/4 × 72 1/16	68 11/16 × 73 1/2
SE604	67 1/4 × 79 1/4	68 11/16 × 80 11/16
SE6045	67 1/4 × 84 1/16	68 11/16 × 85 1/2
SE605	67 1/4 × 91 1/8	68 11/16 × 92 9/16
SE6055	67 1/4 × 96 1/16	68 11/16 × 97 1/2
SE606	67 1/4 × 103 1/8	68 11/16 × 104 9/16
SP402	43 1/4 × 43 3/8	44 11/16 × 44 13/16
SP403	43 1/4 × 55 1/8	44 11/16 × 56 5/8
SP4035	43 1/4 × 60 1/16	44 11/16 × 61 1/2
SP404	43 1/4 × 67 1/4	44 11/16 × 68 11/16
SP4045	43 1/4 × 72 1/16	44 11/16 × 73 1/2
SP405	43 1/4 × 79 1/8	44 11/16 × 80 9/16
SP4055	43 1/4 × 84 1/16	44 11/16 × 85 1/2
SP406	43 1/4 × 91 1/8	44 11/16 × 92 9/16
SP8006	91 1/4 × 49 1/4	92 11/16 × 50 11/16
SP801	91 1/4 × 55 1/4	92 11/16 × 56 11/16
SP802	91 1/4 × 67 3/8	92 11/16 × 68 13/16
ELFW6006	66 1/2 × 32 1/16	67 15/16 × 33 1/2
ELFW601	66 1/2 × 38 1/16	67 15/16 × 39 1/2
ELFW602	66 1/2 × 50 3/16	67 15/16 × 51 21/32
ELFW8006	90 3/8 × 42 1/4	91 13/16 × 44 1/4
ELFW801	90 3/8 × 48 1/4	91 13/16 × 50 1/4
ELFW802	90 3/8 × 60 3/8	91 13/16 × 62 13/32

Glass

Glass

Note:

Glass is available as High-Performance, High-Performance Finelight, High-Performance Sun 3, High-Performance Sun II, High-Performance Tempered, High-Performance Sun 3 Tempered, and High-Performance Sun II Tempered. Use the glass label on the unit (see illustration below) to order by description.



2002 to Present:
The glass logo on Springline Windows has similar identifying numbers in a “V” configuration.

Springline Glass Dimension Label

Glass - High-Performance

Note:

Available by description.

Glass - High-Performance Sun 3

Note:

Available by description.

Glass - High-Performance Sun II

Note:

Available by description.

Glass

Glass - High-Performance Finelight

Note:
Available by description.

Glass - High-Performance Tempered

Note:
Available by description.

Glass - High-Performance Sun 3 Tempered

Note:
Available by description.

Glass - High-Performance Sun II Tempered

Note:
Available by description.

Glass - High-Performance Tempered Finelight

Note:
Available by description.

Glass Parts

Setting Block - Head and Sides

	Dimensions	Order No.
	7/8 x 1/8 x 6	2250109

Setting Block - Sill

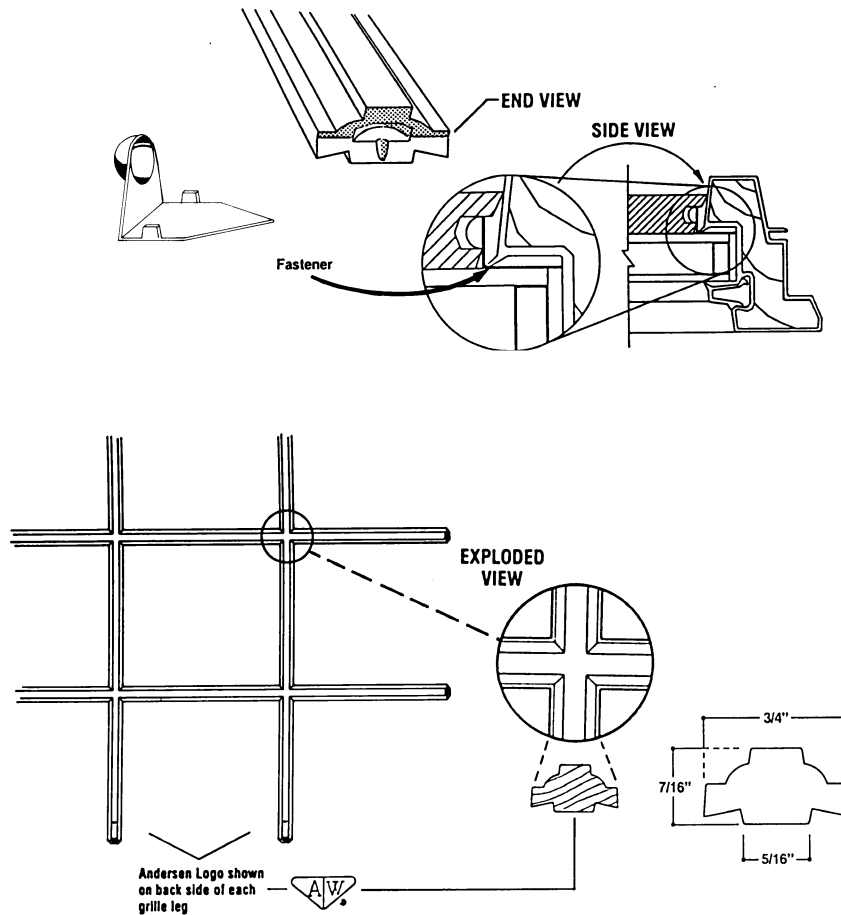
	Dimensions	Order No.
	7/8 x 1/4 x 6	2250002

Spacer - Lateral Arch Quarter Round

	Note:	Order No.
	Order by the foot. Install between glass and aluminum outer frame.	2230012

Grilles

Interior Grilles - Colonial



Springline Interior Grilles - 7/8" Wood

Interior Grille - Colonial / 7/8" Wood / Natural Wood Interior

Unit No.	Dimensions (w x h)	White Exterior	Terratone Exterior	Sandtone Exterior	Forest Green Exterior	Canvas Exterior
SE3106	32 ¹³ / ₁₆ × 19 ¹ / ₈	2262728	2262614	2262501	2267176	9053711
SE311	32 × 25 ¹ / ₈	2262729	2262615	2262502	2267177	9053712
SE312	32 ¹³ / ₁₆ × 37 ¹⁵ / ₆₄	2262730	2262616	2262503	2267178	9053713
SE313	32 ¹³ / ₁₆ × 49 ³ / ₆₄	2262731	2262617	2262504	2267179	9053714
SE3135	32 ¹³ / ₁₆ × 53 ⁵⁹ / ₆₄	2262732	2262618	2262505	2267180	9053715
SE314	32 ¹³ / ₁₆ × 61 ¹ / ₈	2262733	2262619	2262506	2267181	9053716
SE3145	32 ¹³ / ₁₆ × 65 ⁵⁹ / ₆₄	2262734	2262620	2262507	2267182	9053717
SE315	32 ¹³ / ₁₆ × 72 ⁶³ / ₆₄	2262735	2262621	2262508	2267183	9053718

Springline™ Windows (1994 to Present)

Standard Windows

Grilles

Interior Grille - Colonial / 7/8" Wood / Natural Wood Interior						
Unit No.	Dimensions (w x h)	White Exterior	Terratone Exterior	Sandtone Exterior	Forest Green Exterior	Canvas Exterior
SE3155	32 13/16 × 77 59/64	2262736	2262622	2262509	2267184	9053719
SE316	32 13/16 × 84 63/64	2262737	2262623	2262510	2267185	9053720
SE5406	59 7/8 × 33 5/8	2262738	2262624	2262511	2267186	9053721
SE541	59 × 39 5/8	2262739	2262625	2262512	2267187	9053722
SE542	59 7/8 × 51 3/4	2262740	2262626	2262513	2267188	9053723
SE543	59 7/8 × 63 9/16	2262741	2262627	2262514	2267189	9053724
SE5435	59 7/8 × 68 7/16	2262742	2262628	2262515	2267190	9053725
SE544	59 7/8 × 75 5/8	2262743	2262629	2262516	2267191	9053726
SE5445	59 7/8 × 80 7/16	2262744	2262630	2262517	2267192	9053727
SE545	59 7/8 × 87 1/2	2262745	2262631	2262518	2267193	9053728
SE5455	59 7/8 × 92 7/16	2262746	2262632	2262519	2267194	9053729
SE546	59 7/8 × 99 1/2	2262747	2262633	2262520	2267195	9053730
SE5806	63 13/16 × 35 9/16	2262748	2262634	2262521	2267196	9053731
SE581	63 × 41 9/16	2262749	2262635	2262522	2267197	9053732
SE582	63 13/16 × 53 11/16	2262750	2262636	2262523	2267198	9053733
SE583	63 13/16 × 65 1/2	2262751	2262637	2262524	2267199	9053734
SE5835	63 13/16 × 70 3/8	2262752	2262638	2262525	2267201	9053735
SE584	63 13/16 × 77 9/16	2262753	2262639	2262526	2267202	9053736
SE5845	63 13/16 × 82 3/8	2262754	2262640	2262527	2267203	9053737
SE585	63 13/16 × 89 7/16	2262755	2262641	2262528	2267204	9053738
SE5855	63 13/16 × 94 3/8	2262756	2262642	2262529	2267205	9053739
SE586	63 13/16 × 101 7/16	2262757	2262643	2262530	2267206	9053740
SE6006	67 5/16 × 37 5/16	2262758	2262644	2262531	2267207	9053741
SE601	66 1/2 × 43 5/16	2262759	2262645	2262532	2267208	9053742
SE602	67 5/16 × 55 5/16	2262760	2262646	2262533	2267209	9053743
SE603	67 5/16 × 67 1/4	2262761	2262647	2262534	2267210	9053744
SE6035	67 5/16 × 72 1/8	2262762	2262648	2262535	2267211	9053745
SE604	67 5/16 × 79 5/16	2262763	2262649	2262536	2267212	9053746
SE6045	67 5/16 × 84 1/8	2262764	2262650	2262537	2267213	9053747
SE605	67 5/16 × 91 5/16	2262765	2262651	2262538	2267214	9053748
SE6055	67 5/16 × 96 1/8	2262766	2262652	2262785	2267215	9053770
SE606	67 5/16 × 103 3/16	2262767	2262653	2262539	2267216	9053749
SP402	43 5/16 × 43 7/16	2262768	2262654	2262540	2267217	9053750
SP403	43 5/16 × 55 1/4	2262769	2262655	2262541	2267218	9053751
SP4035	43 5/16 × 60 1/8	2262770	2262656	2262542	2267219	9053752
SP404	43 5/16 × 67 5/16	2262771	2262657	2262543	2267220	9053753

Grilles

Interior Grille - Colonial / 7/8" Wood / Natural Wood Interior						
Unit No.	Dimensions (w x h)	White Exterior	Terratone Exterior	Sandtone Exterior	Forest Green Exterior	Canvas Exterior
SP4045	43 ⁵ / ₁₆ × 72 ¹ / ₈	2262772	2262658	2262544	2267221	9053754
SP405	43 ⁵ / ₁₆ × 79 ³ / ₁₆	2262773	2262659	2262545	2267222	9053755
SP4055	43 ⁵ / ₁₆ × 84 ¹ / ₈	2262774	2262660	2262546	2267223	9053756
SP406	43 ⁵ / ₁₆ × 91 ³ / ₁₆	2262775	2262661	2262547	2267224	9053757
SP8006	91 ⁵ / ₁₆ × 49 ⁹ / ₆₄	2262776	2262662	2262548	2267225	9053758
SP801	90 ¹ / ₂ × 55 ⁹ / ₆₄	2262777	2262663	2262549	2267226	9053759
SP802	91 ⁵ / ₁₆ × 67 ¹⁷ / ₆₄	2262778	2262664	2262550	2267227	9053760
ELFW6006	66 ⁹ / ₁₆ × 31 ¹ / ₈	2262779	2262665	2262551	2267228	9053761
ELFW601	66 ⁹ / ₁₆ × 38 ¹ / ₈	2262780	2262666	2262552	2267229	9053762
ELFW602	66 ⁹ / ₁₆ × 50 ¹ / ₄	2262781	2262667	2262553	2267230	9053763
ELFW8006	90 ⁷ / ₁₆ × 42 ⁴³ / ₆₄	2262782	2262668	2262554	2267231	9053764
ELFW801	90 ⁷ / ₁₆ × 48 ⁴³ / ₆₄	2262783	2262669	2262555	2267232	9053765
ELFW802	90 ⁷ / ₁₆ × 60 ⁵¹ / ₆₄	2262784	2262670	2262556	2267233	9053766

Interior Grille - Colonial / 7/8" Prefinished Interior						
Unit No.	Dimensions (w x h)	White Exterior	Terratone Exterior	Sandtone Exterior	Forest Green Exterior	Canvas Exterior
SE3106	32 ¹³ / ₁₆ × 19 ¹ / ₈	2262671	2262557	2262443	by description	9053657
SE311	32 × 25 ¹ / ₈	2262672	2262558	2262444	by description	9053658
SE312	32 ¹³ / ₁₆ × 37 ¹⁵ / ₆₄	2262673	2262559	2262445	by description	9053659
SE313	32 ¹³ / ₁₆ × 49 ³ / ₆₄	2262674	2262560	2262446	by description	9053660
SE3135	32 ¹³ / ₁₆ × 53 ⁵⁹ / ₆₄	2262675	2262561	2262447	by description	9053661
SE314	32 ¹³ / ₁₆ × 61 ¹ / ₈	2262676	2262562	2262448	by description	9053662
SE3145	32 ¹³ / ₁₆ × 65 ⁵⁹ / ₆₄	2262677	2262563	2262449	by description	9053663
SE315	32 ¹³ / ₁₆ × 72 ⁶³ / ₆₄	2262678	2262564	2262450	by description	9053664
SE3155	32 ¹³ / ₁₆ × 77 ⁵⁹ / ₆₄	2262679	2262565	2262451	by description	9053665
SE316	32 ¹³ / ₁₆ × 84 ⁶³ / ₆₄	2262680	2262566	2262452	by description	9053666
SE5406	59 ⁷ / ₈ × 33 ⁵ / ₈	2262681	2262567	2262453	by description	9053667
SE541	59 × 39 ⁵ / ₈	2262682	2262568	2262454	by description	9053668
SE542	59 ⁷ / ₈ × 51 ³ / ₄	2262683	2262569	2262455	by description	9053669
SE543	59 ⁷ / ₈ × 63 ⁹ / ₁₆	2262684	2262570	2262456	by description	9053670
SE5435	59 ⁷ / ₈ × 68 ⁷ / ₁₆	2262685	2262571	2262457	by description	9053671
SE544	59 ⁷ / ₈ × 75 ⁵ / ₈	2262686	2262572	2262458	by description	9053672
SE5445	59 ⁷ / ₈ × 80 ⁷ / ₁₆	2262687	2262573	2262459	by description	9053673
SE545	59 ⁷ / ₈ × 87 ¹ / ₂	2262688	2262574	2262460	by description	9053674
SE5455	59 ⁷ / ₈ × 92 ⁷ / ₁₆	2262689	2262575	2262461	by description	9053675
SE546	59 ⁷ / ₈ × 99 ¹ / ₂	2262690	2262576	2262462	by description	9053676

Springline™ Windows (1994 to Present)

Standard Windows

Grilles

Interior Grille - Colonial / 7/8" Prefinished Interior						
Unit No.	Dimensions (w x h)	White Exterior	Terratone Exterior	Sandtone Exterior	Forest Green Exterior	Canvas Exterior
SE5806	63 ¹³ / ₁₆ × 35 ⁹ / ₁₆	2262691	2262577	2262463	by description	9053677
SE581	63 × 41 ⁹ / ₁₆	2262692	2262578	2262464	by description	9053678
SE582	63 ¹³ / ₁₆ × 53 ¹¹ / ₁₆	2262693	2262579	2262465	by description	9053679
SE583	63 ¹³ / ₁₆ × 65 ¹ / ₂	2262694	2262580	2262466	by description	9053680
SE5835	63 ¹³ / ₁₆ × 70 ³ / ₈	2262695	2262581	2262467	by description	9053681
SE584	63 ¹³ / ₁₆ × 77 ⁹ / ₁₆	2262696	2262582	2262468	by description	9053682
SE5845	63 ¹³ / ₁₆ × 82 ³ / ₈	2262697	2262583	2262469	by description	9053683
SE585	63 ¹³ / ₁₆ × 89 ⁷ / ₁₆	2262698	2262584	2262470	by description	9053684
SE5855	63 ¹³ / ₁₆ × 94 ³ / ₈	2262699	2262585	2262471	by description	9053685
SE586	63 ¹³ / ₁₆ × 101 ⁷ / ₁₆	2262791	2262586	2262472	by description	9053686
SE6006	67 ⁵ / ₁₆ × 37 ⁵ / ₁₆	2262701	2262587	2262473	by description	9053687
SE601	66 ¹ / ₂ × 43 ⁵ / ₁₆	2262702	2262588	2262474	by description	9053688
SE602	67 ⁵ / ₁₆ × 55 ⁵ / ₁₆	2262703	2262589	2262475	by description	9053689
SE603	67 ⁵ / ₁₆ × 67 ¹ / ₄	2262704	2262590	2262476	by description	9053690
SE6035	67 ⁵ / ₁₆ × 72 ¹ / ₈	2262705	2262591	2262477	by description	9053691
SE604	67 ⁵ / ₁₆ × 79 ⁵ / ₁₆	2262706	2262592	2262478	by description	9053692
SE6045	67 ⁵ / ₁₆ × 84 ¹ / ₈	2262707	2262593	2262479	by description	9053693
SE605	67 ⁵ / ₁₆ × 91 ⁵ / ₁₆	2262708	2262594	2262480	by description	9053694
SE6055	67 ⁵ / ₁₆ × 96 ¹ / ₈	2262709	2262595	2262481	by description	9053695
SE606	67 ⁵ / ₁₆ × 103 ³ / ₁₆	2262710	2262596	2262482	by description	9053696
SP402	43 ⁵ / ₁₆ × 43 ⁷ / ₁₆	2262711	2262597	2262483	by description	9053697
SP403	43 ⁵ / ₁₆ × 55 ¹ / ₄	2262712	2262598	2262484	by description	9053698
SP4035	43 ⁵ / ₁₆ × 60 ¹ / ₈	2262713	2262599	2262485	by description	9053699
SP404	43 ⁵ / ₁₆ × 67 ⁵ / ₁₆	2262714	2262790	2262486	by description	9053700
SP4045	43 ⁵ / ₁₆ × 72 ¹ / ₈	2262715	2262601	2262487	by description	9053701
SP405	43 ⁵ / ₁₆ × 79 ³ / ₁₆	2262716	2262602	2262488	by description	9053702
SP4055	43 ⁵ / ₁₆ × 84 ¹ / ₈	2262717	2262603	2262489	by description	9053703
SP406	43 ⁵ / ₁₆ × 91 ³ / ₁₆	2262718	2262604	2262490	by description	9053704
SP8006	91 ⁵ / ₁₆ × 49 ⁹ / ₆₄	2262719	2262605	2262491	by description	9053705
SP801	90 ¹ / ₂ × 55 ⁹ / ₆₄	2262720	2262606	2262492	by description	9053706
SP802	91 ⁵ / ₁₆ × 67 ¹⁷ / ₆₄	2262721	2262607	2262493	by description	9053707
ELFW6006	66 ⁹ / ₁₆ × 31 ¹ / ₈	2262722	2262608	2262494	by description	9053708
ELFW601	66 ⁹ / ₁₆ × 38 ¹ / ₈	2262723	2262609	2262495	by description	9053709
ELFW602	66 ⁹ / ₁₆ × 50 ¹ / ₄	2262724	2262610	2262496	by description	9053710
ELFW8006	90 ⁷ / ₁₆ × 42 ⁴³ / ₆₄	2262725	2262611	2262497	by description	9053767
ELFW801	90 ⁷ / ₁₆ × 48 ⁴³ / ₆₄	2262726	2262612	2262498	by description	9053768
ELFW802	90 ⁷ / ₁₆ × 60 ⁵¹ / ₆₄	2262727	2262613	2262789	by description	9053769

Grilles

Interior Grilles - Renaissance

Interior Grille - Renaissance / 7/8" Wood / Natural Wood Interior						
Unit No.	Dimensions (w x h)	White Exterior	Terratone Exterior	Sandtone Exterior	Forest Green Exterior	Canvas Exterior
SE3106	32 ¹³ / ₁₆ × 17 ¹⁵ / ₆₄	2262386	2262272	2262158	2267120	9053424
SE311	32 ¹³ / ₁₆ × 23 ⁵⁵ / ₆₄	2262387	2262273	2262159	2267121	9053425
SE312	32 ¹³ / ₁₆ × 35 ³⁷ / ₆₄	2262388	2262274	2262160	2267122	9053426
SE313	32 ¹³ / ₁₆ × 47 ⁷ / ₁₆	2262389	2262275	2262161	2267123	9053427
SE3135	32 ¹³ / ₁₆ × 52 ¹⁹ / ₆₄	2262390	2262276	2262162	2267124	9053428
SE314	32 ¹³ / ₁₆ × 59 ³¹ / ₆₄	2262391	2262277	2262163	2267125	9053429
SE3145	32 ¹³ / ₁₆ × 64 ²¹ / ₆₄	2262392	2262278	2262164	2267126	9053430
SE315	32 ¹³ / ₁₆ × 71 ³ / ₈	2262393	2262279	2262165	2267127	9053431
SE3155	32 ¹³ / ₁₆ × 76 ²¹ / ₆₄	2262394	2262280	2262166	2267128	9053432
SE316	32 ¹³ / ₁₆ × 83 ¹ / ₃₂	2262395	2262281	2262167	2267129	9053433
SE5406	59 ¹³ / ₁₆ × 33 ⁹ / ₁₆	2262396	2262282	2262168	2267130	9053434
SE541	59 × 39 ⁹ / ₁₆	2262397	2262283	2262169	2267131	9053435
SE542	59 ¹³ / ₁₆ × 51 ¹¹ / ₁₆	2262398	2262284	2262170	2267132	9053436
SE543	59 ¹³ / ₁₆ × 63 ³¹ / ₆₄	2262399	2262285	2262171	2267133	9053437
SE5435	59 ¹³ / ₁₆ × 68 ³ / ₈	2262788	2262286	2262172	2267234	9053438
SE544	59 ¹³ / ₁₆ × 75 ⁹ / ₁₆	2262401	2262287	2262173	2267134	9053439
SE5445	59 ¹³ / ₁₆ × 80 ³ / ₈	2262402	2262288	2262174	2267135	9053440
SE545	59 ¹³ / ₁₆ × 87 ⁷ / ₁₆	2262403	2262289	2262175	2267136	9053441
SE5455	59 ¹³ / ₁₆ × 92 ³ / ₈	2262404	2262290	2262176	2267137	9053442
SE546	59 ¹³ / ₁₆ × 99 ⁷ / ₁₆	2262405	2262291	2262177	2267138	9053443
SE5806	63 ¹³ / ₁₆ × 35 ⁹ / ₁₆	2262406	2262292	2262178	2267139	9053444
SE581	63 × 41 ⁹ / ₁₆	2262407	2262293	2262179	2267140	9053445
SE582	63 ¹³ / ₁₆ × 53 ¹¹ / ₁₆	2262408	2262294	2262180	2267141	9053446
SE583	63 ¹³ / ₁₆ × 65 ¹ / ₂	2262409	2262295	2262181	2267142	9053447
SE5835	63 ¹³ / ₁₆ × 70 ³ / ₈	2262410	2262296	2262182	2267143	9053448
SE584	63 ¹³ / ₁₆ × 77 ⁹ / ₁₆	2262411	2262297	2262183	2267144	9053449
SE5845	63 ¹³ / ₁₆ × 82 ³ / ₈	2262412	2262298	2262184	2267145	9053450
SE585	63 ¹³ / ₁₆ × 89 ⁷ / ₁₆	2262413	2262299	2262185	2267146	9053451
SE5855	63 ¹³ / ₁₆ × 94 ³ / ₈	2262414	2262787	2262186	2267147	9053452
SE586	63 ¹³ / ₁₆ × 101 ⁷ / ₁₆	2262415	2262301	2262187	2267148	9053453
SE6006	67 ⁵ / ₁₆ × 37 ⁵ / ₁₆	2262416	2262302	2262188	2267149	9053454
SE601	66 × 43 ⁵ / ₁₆	2262417	2262303	2262189	2267150	9053455
SE602	67 ⁵ / ₁₆ × 55 ⁷ / ₁₆	2262418	2262304	2262190	2267151	9053456
SE603	67 ⁵ / ₁₆ × 67 ¹⁵ / ₆₄	2262419	2262305	2262191	2267152	9053457

Springline™ Windows (1994 to Present)

Standard Windows

Grilles

Interior Grille - Renaissance / 7/8" Wood / Natural Wood Interior						
Unit No.	Dimensions (w x h)	White Exterior	Terratone Exterior	Sandtone Exterior	Forest Green Exterior	Canvas Exterior
SE6035	67 ⁵ / ₁₆ × 72 ¹ / ₈	2262420	2262306	2262192	2267153	9053458
SE604	67 ⁵ / ₁₆ × 79 ⁵ / ₁₆	2262421	2262307	2262193	2267154	9053459
SE6045	67 ⁵ / ₁₆ × 84 ¹ / ₈	2262422	2262308	2262194	2267155	9053460
SE605	67 ⁵ / ₁₆ × 91 ³ / ₁₆	2262423	2262309	2262195	2267156	9053461
SE6055	67 ⁵ / ₁₆ × 96 ¹ / ₈	2262424	2262310	2262196	2267157	9053462
SE606	67 ⁵ / ₁₆ × 103 ³ / ₁₆	2262425	2262311	2262197	2267158	9053463
SP402	43 ⁵ / ₁₆ × 43 ⁷ / ₁₆	2262426	2262312	2262198	2267159	9053464
SP403	43 ⁵ / ₁₆ × 55 ¹ / ₄	2262427	2262313	2262199	2267160	9053465
SP4035	43 ⁵ / ₁₆ × 60 ¹ / ₈	2262428	2262314	2262786	2267161	by description
SP404	43 ⁵ / ₁₆ × 67 ⁵ / ₁₆	2262429	2262315	2262201	2267162	9053466
SP4045	43 ⁵ / ₁₆ × 72 ¹ / ₈	2262430	2262316	2262202	2267163	9053467
SP405	43 ⁵ / ₁₆ × 79 ³ / ₁₆	2262431	2262317	2262203	2267164	9053468
SP4055	43 ⁵ / ₁₆ × 84 ¹ / ₈	2262432	2262318	2262204	2267165	9053469
SP406	43 ⁵ / ₁₆ × 91 ³ / ₁₆	2262433	2262319	2262205	2267166	9053470
SP8006	91 ⁵ / ₁₆ × 49 ¹ / ₈	2262434	2262320	2262206	2267167	9053471
SP801	90 ¹ / ₂ × 55 ¹ / ₈	2262435	2262321	2262207	2267168	9053649
SP802	91 ⁵ / ₁₆ × 67 ¹⁷ / ₆₄	2262436	2262322	2262208	2267169	9053650
ELFW6006	66 ⁹ / ₁₆ × 32 ¹ / ₈	2262437	2262323	2262209	2267170	9053651
ELFW601	66 ⁹ / ₁₆ × 38 ³ / ₁₆	2262438	2262324	2262210	2267171	9053652
ELFW602	66 ⁹ / ₁₆ × 50 ⁵ / ₁₆	2262439	2262325	2262211	2267172	9053653
ELFW8006	90 ⁷ / ₁₆ × 342 ⁴³ / ₆₄	2262440	2262326	2262212	2267173	9053654
ELFW801	90 ⁷ / ₁₆ × 48 ⁴³ / ₆₄	2262441	2262327	2262213	2267174	9053655
ELFW802	90 ⁷ / ₁₆ × 60 ⁵¹ / ₆₄	2262442	2262328	2262214	2267175	9053656


Interior Grille - Renaissance / 7/8" Wood						
Unit No.	Dimensions (w x h)	White Exterior	Terratone Exterior	Sandtone Exterior	Forest Green Exterior	Canvas Exterior
SE3106	32 ¹³ / ₁₆ × 17 ¹⁵ / ₆₄	2262329	2262215	2262101	by description	9053376
SE311	32 ¹³ / ₁₆ × 23 ⁵⁵ / ₆₄	2262330	2262216	2262102	by description	9053377
SE312	32 ¹³ / ₁₆ × 35 ³⁷ / ₆₄	2262331	2262217	2262103	by description	9053378
SE313	32 ¹³ / ₁₆ × 47 ⁷ / ₁₆	2262332	2262218	2262104	by description	9053379
SE3135	32 ¹³ / ₁₆ × 52 ¹⁹ / ₆₄	2262333	2262219	2262105	by description	9053380
SE314	32 ¹³ / ₁₆ × 59 ³¹ / ₆₄	2262334	2262220	2262106	by description	9053381
SE3145	32 ¹³ / ₁₆ × 64 ²¹ / ₆₄	2262335	2262221	2262107	by description	9053382
SE315	32 ¹³ / ₁₆ × 71 ³ / ₈	2262336	2262222	2262108	by description	9053383
SE3155	32 ¹³ / ₁₆ × 76 ²¹ / ₆₄	2262337	2262223	2262109	by description	9053384
SE316	32 ¹³ / ₁₆ × 83 ¹ / ₃₂	2262338	2262224	2262110	by description	9053385

Grilles

Interior Grille - Renaissance / 7/8" Wood						
Unit No.	Dimensions (w x h)	White Exterior	Terratone Exterior	Sandtone Exterior	Forest Green Exterior	Canvas Exterior
SE5406	59 ¹³ / ₁₆ × 33 ⁹ / ₁₆	2262339	2262225	2262111	by description	9053386
SE541	59 × 39 ⁹ / ₁₆	2262340	2262226	2262112	by description	9053387
SE542	59 ¹³ / ₁₆ × 51 ¹¹ / ₁₆	2262341	2262227	2262113	by description	9053388
SE543	59 ¹³ / ₁₆ × 63 ³¹ / ₆₄	2262342	2262228	2262114	by description	9053389
SE5435	59 ¹³ / ₁₆ × 68 ³ / ₈	2262343	2262229	2262115	by description	9053390
SE544	59 ¹³ / ₁₆ × 75 ⁹ / ₁₆	2262344	2262230	2262116	by description	9053391
SE5445	59 ¹³ / ₁₆ × 80 ³ / ₈	2262345	2262231	2262117	by description	9053392
SE545	59 ¹³ / ₁₆ × 87 ⁷ / ₁₆	2262346	2262232	2262118	by description	9053393
SE5455	59 ¹³ / ₁₆ × 92 ³ / ₈	2262347	2262233	2262119	by description	9053394
SE546	59 ¹³ / ₁₆ × 99 ⁷ / ₁₆	2262348	2262234	2262120	by description	9053395
SE5806	63 ¹³ / ₁₆ × 35 ⁹ / ₁₆	2262349	2262235	2262121	by description	9053396
SE581	63 × 41 ⁹ / ₁₆	2262350	2262236	2262122	by description	9053397
SE582	63 ¹³ / ₁₆ × 53 ¹¹ / ₁₆	2262351	2262237	2262123	by description	9053398
SE583	63 ¹³ / ₁₆ × 65 ¹ / ₂	2262352	2262238	2262124	by description	9053399
SE5835	63 ¹³ / ₁₆ × 70 ³ / ₈	2262353	2262239	2262125	by description	9053400
SE584	63 ¹³ / ₁₆ × 77 ⁹ / ₁₆	2262354	2262240	2262126	by description	9053401
SE5845	63 ¹³ / ₁₆ × 82 ³ / ₈	2262355	2262241	2262127	by description	9053402
SE585	63 ¹³ / ₁₆ × 89 ⁷ / ₁₆	2262356	2262242	2262128	by description	9053403
SE5855	63 ¹³ / ₁₆ × 94 ³ / ₈	2262357	2262243	2262129	by description	9053404
SE586	63 ¹³ / ₁₆ × 101 ⁷ / ₁₆	2262358	2262244	2262130	by description	9053405
SE6006	67 ⁵ / ₁₆ × 37 ⁵ / ₁₆	2262359	2262245	2262131	by description	9053406
SE601	66 × 43 ⁵ / ₁₆	2262360	2262246	2262132	by description	9053407
SE602	67 ⁵ / ₁₆ × 55 ⁷ / ₁₆	2262361	2262247	2262133	by description	9053408
SE603	67 ⁵ / ₁₆ × 67 ¹⁵ / ₆₄	2262362	2262248	2262134	by description	9053409
SE6035	67 ⁵ / ₁₆ × 72 ¹ / ₈	2262363	2262249	2262135	by description	9053410
SE604	67 ⁵ / ₁₆ × 79 ⁵ / ₁₆	2262364	2262250	2262136	by description	9053411
SE6045	67 ⁵ / ₁₆ × 84 ¹ / ₈	2262365	2262251	2262137	by description	9053412
SE605	67 ⁵ / ₁₆ × 91 ³ / ₁₆	2262366	2262252	2262138	by description	9053413
SE6055	67 ⁵ / ₁₆ × 96 ¹ / ₈	2262367	2262253	2262139	by description	9053414
SE606	67 ⁵ / ₁₆ × 103 ³ / ₁₆	2262368	2262254	2262140	by description	9053415
SP402	43 ⁵ / ₁₆ × 43 ⁷ / ₁₆	2262369	2262255	2262141	by description	9053416
SP403	43 ⁵ / ₁₆ × 55 ¹ / ₄	2262370	2262256	2262142	by description	9053417
SP4035	43 ⁵ / ₁₆ × 60 ¹ / ₈	2262371	2262257	2262143	by description	9053418
SP404	43 ⁵ / ₁₆ × 67 ⁵ / ₁₆	2262372	2262258	2262144	by description	9053419
SP4045	43 ⁵ / ₁₆ × 72 ¹ / ₈	2262373	2262259	2262145	by description	9053420
SP405	43 ⁵ / ₁₆ × 79 ³ / ₁₆	2262374	2262260	2262146	by description	9053421

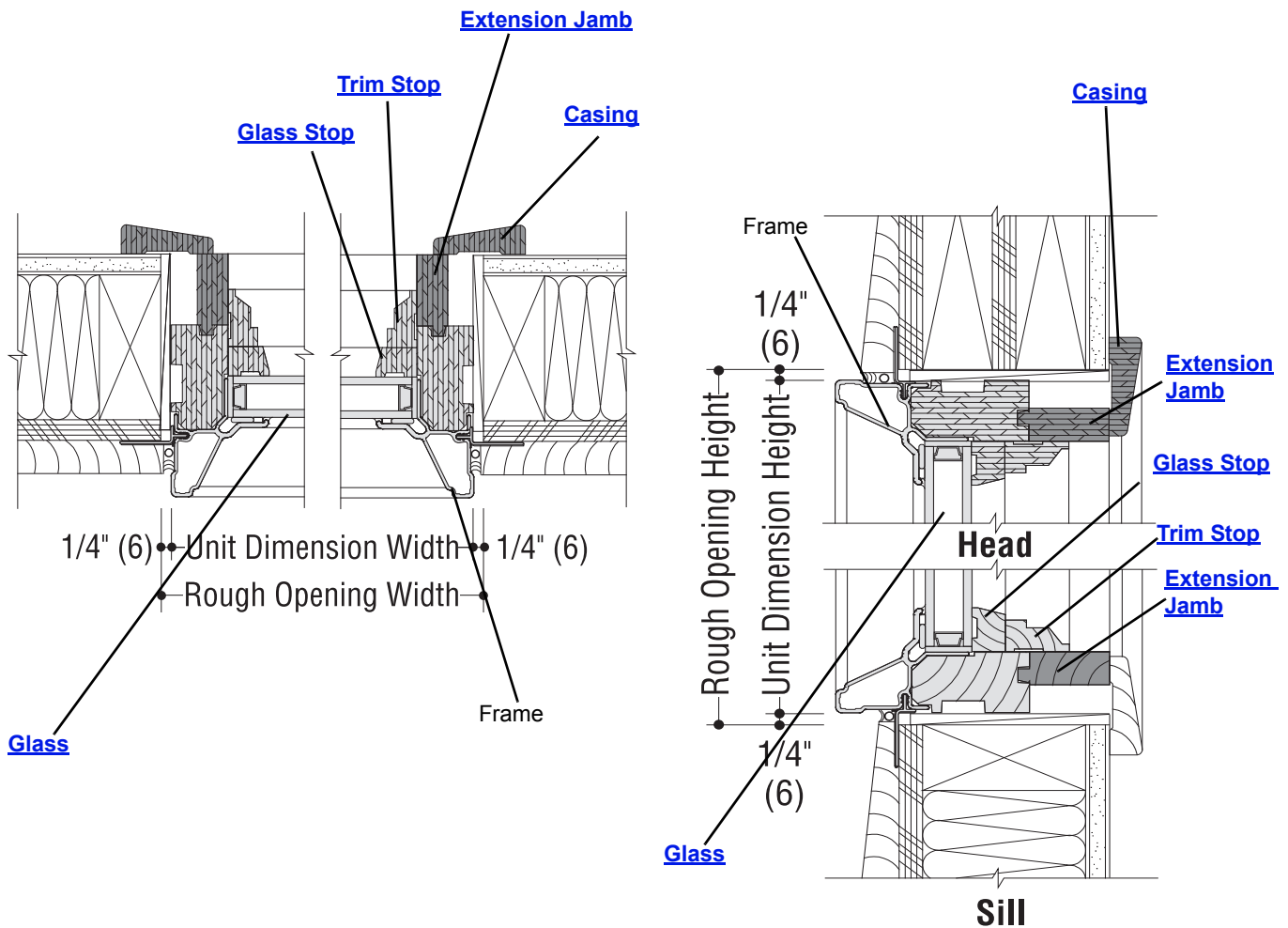
Grilles

Interior Grille - Renaissance / 7/8" Wood						
Unit No.	Dimensions (w x h)	White Exterior	Terratone Exterior	Sandtone Exterior	Forest Green Exterior	Canvas Exterior
SP4055	43 ⁵ / ₁₆ × 84 ¹ / ₈	2262375	2262261	2262147	by description	9053422
SP406	43 ⁵ / ₁₆ × 91 ³ / ₁₆	2262376	2262262	2262148	by description	9053423
SP8006	91 ⁵ / ₁₆ × 49 ¹ / ₈	2262377	2262263	2262149	by description	9053640
SP801	90 ¹ / ₂ × 55 ¹ / ₈	2262378	2262264	2262150	by description	9053641
SP802	91 ⁵ / ₁₆ × 67 ¹⁷ / ₆₄	2262379	2262265	2262151	by description	9053642
ELFW6006	66 ⁹ / ₁₆ × 32 ¹ / ₈	2262380	2262266	2262152	by description	9053643
ELFW601	66 ⁹ / ₁₆ × 38 ³ / ₁₆	2262381	2262267	2262153	by description	9053644
ELFW602	66 ⁹ / ₁₆ × 50 ⁵ / ₁₆	2262382	2262268	2262154	by description	9053645
ELFW8006	90 ⁷ / ₁₆ × 342 ⁴³ / ₆₄	2262383	2262269	2262155	by description	9053646
ELFW801	90 ⁷ / ₁₆ × 48 ⁴³ / ₆₄	2262384	2262270	2262156	by description	9053647
ELFW802	90 ⁷ / ₁₆ × 60 ⁵¹ / ₆₄	2262385	2262271	2262157	by description	9053648

Interior Grille Fastener - Barbed		
	<p>Note: For standard pattern and non-standard pattern "P" units. Also used on products with a wood stop next to glass.</p>	<p>Order No.</p>
		<p>1974314</p>

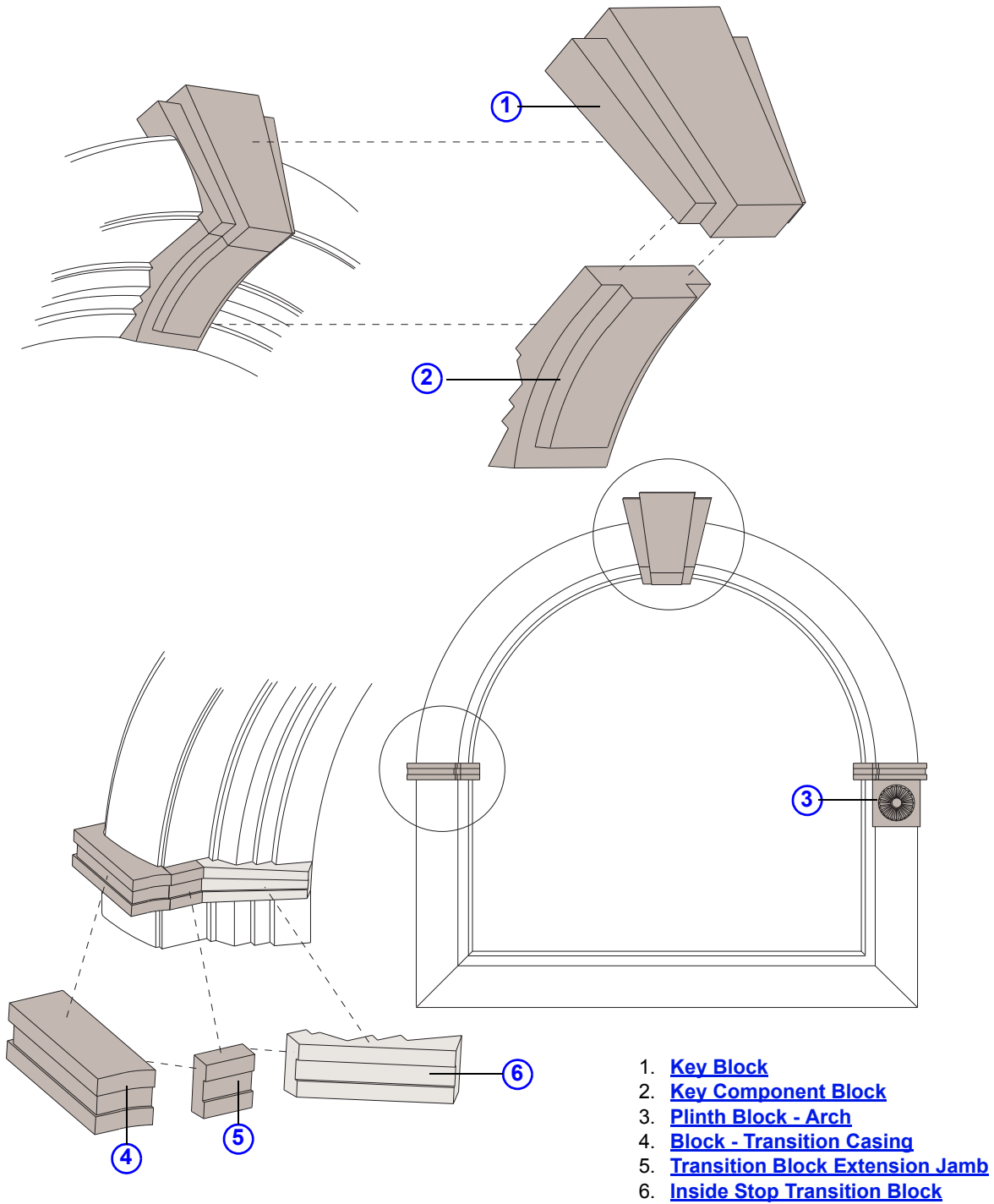
Frames

Frame Assembly



Springline Frame Assembly

Trim Options and Applications



Frames

Extension Jamb

Note:

As of April 1995, 7 9/16" width was replaced with 7 1/8". Transition blocks must be ordered separately.

Extension Jamb - Arch

Unit No.	Pieces	Radius	4 9/16"	5 1/4"	6 9/16"	7 1/8"
SE31	1	18 3/4	2234975	2234981	2234987	2234993
SE54	1	32 1/4	2234976	2234982	2234988	2234994
SE58	1	34 1/4	2234977	2234983	2234989	2234995
SE60	1	36	2234978	2234984	2234990	2234996
SP40	1	24	2234979	2234985	2234991	2234997
SP80	2	48	2234980	2234986	2234992	2234998

Extension Jamb - Non-Arch

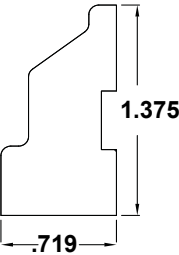
Note:

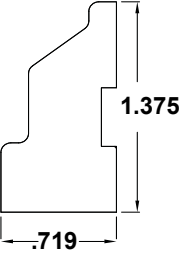
Non-arch extension jambs are available in 4 9/16", 5 1/4", 6 9/16" and 7 1/8" widths. Order replacement extension jambs by description.

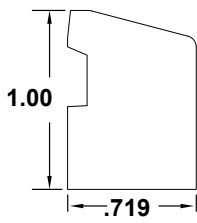
Transition Block - Extension Jamb Ref No. 5, [page 19](#)

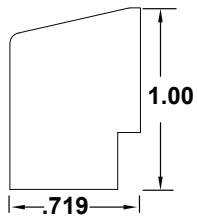
	Order No.
<p>Note: For units 48" radius and larger; all extension jamb depths. Transition block may need to be cut, dependent on extension jamb depth. Fasten with 1" finishing nails.</p> <p>For 4 9/16" and 5 1/4", order one block per two transitions. For 6 9/16" and 7 1/8", order two blocks per two transitions.</p>	2250112

Frames

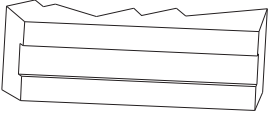
Stops					
Trim Stop - Arch					
		Unit No.	Pieces	White	Maple
		SE31	1	6033030	2230070
		SE54	1	6033035	2230072
		SE58	1	6033040	2230074
		SE60	1	6033045	2230073
		SP40	1	6033050	2230071
		SP80	2	6033055	2230075

Trim Stop - Lineal				
		Length	Pine	White
		22	2230087	2233055
		46	2230088	2233056
		70	2230089	2233057
		94	2230090	2233058
		142	2230091	2233059
		150	N/A	N/A

Glass Stop - Arch					
		Unit No.	Pieces	White	Maple
		SE31	1	6032030	2230076
		SE54	1	6032035	2230078
		SE58	1	6032040	2230080
		SE60	1	6032045	2230079
		SP40	1	6032050	2230077
		SP80	2	6032055	2230081

Glass Stops - Lineal				
		Length	Pine	White
		22	2230082	2233050
		46	2230083	2233051
		70	2230084	2233052
		94	2230085	2233053
		142	2230086	2233054

Frames

Inside Stop Transition Block Ref No. 6, page 19		
	Unit No.	Order No.
	All Units	2250110

Inside Casing							
Inside Casing - Arch / Colonial with Narrow Transition Blocks							
Unit No.	Radius	2 1/4"		2 1/2"		3 1/2"	
		Maple	Oak	Maple	Oak	Maple	Oak
SE31	18 3/4	2230360	2230362	2230364	N/A	2230366	2230367
SE54	32 1/4	2230368	2230370	2230372	N/A	2230374	2230375
SE58	34 1/4	2230376	2230378	2230380	N/A	2230382	2230383
SE60/EL60	36	2230384	2230386	2230388	N/A	2230390	2230391
SP40	24	2230392	2230394	2230396	N/A	2230398	2230399
SP80/EL80	48	2230320	2230322	2230324	N/A	2230326	2230327

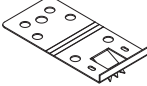

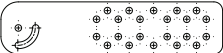
Inside Casing - Arch / Ranch with Narrow Transition Blocks					
Unit No.	Radius	2 1/4"		2 1/2"	
		Maple	Oak	Maple	Oak
SE31	18 3/4	2230361	2230363	2230365	N/A
SE54	32 1/4	2230369	2230371	2230373	N/A
SE58	34 1/4	2230377	2230379	2230381	N/A
SE60/EL60	36	2230385	2230387	2230389	N/A
SP40	24	2230393	2230395	2230397	N/A
SP80/EL80	48	2230321	2230323	2230325	N/A

Block - Component Key			
Note: Key block comes standard with SP80 and EL80 units only.			
Key Component Block Ref No. 2 page 19			
	Unit No.	Maple	Oak
	All Units	2231110	2231112
Dowels - Key Component			
	Unit No.	Order No.	
	All Units	8231901	
Key Block Ref No. 1 page 19			
	Unit No.	Maple	Oak
	All Units	2231114	2231115

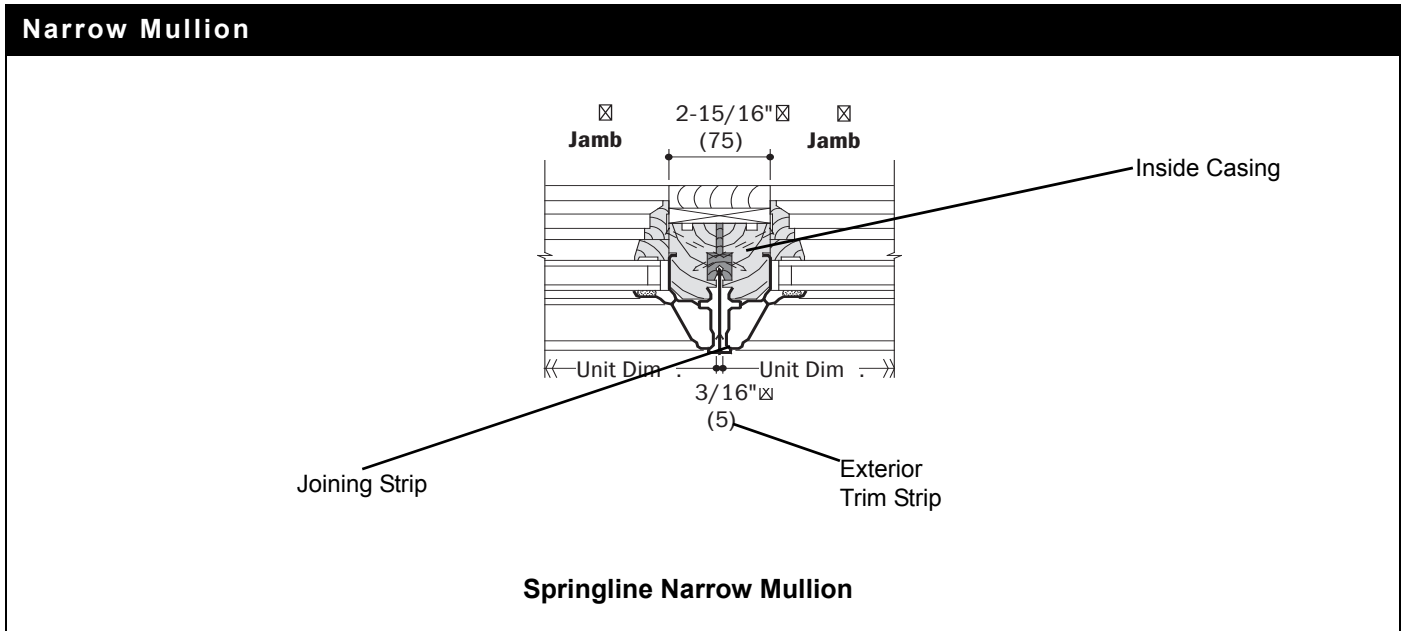
Frames

Trim Parts					
Plinth Blocks - Arch Ref No. 3 page 19					
	Unit No.	2 7/8"		3 7/8"	
		Maple	Oak	Maple	Oak
	All Units	2230808	2230804	2231108	2231106
Block - Transition Casing / Narrow Ref No. 4 page 19					
	Unit No.	2 1/4" and 2 1/2"		3 1/2"	
		Maple	Oak	Maple	Oak
	All Units	2231116	2231117	2231118	2231119

Installation Flanges		
Nailing Flange - Arch		
	Length	Order No.
	156	8240605
Nailing Flange - Installation		
	Length	Order No.
	74	8240606
	150	8240607

Installation Kits for Standard (Non-IR) Units				
Jamb Clip Kit - 3"				
	Kit includes: 18 - jamb clips 36 - 8-18 x 1-1/4 PH FL 316 SS PASS TYP AB screws 1 instruction sheet	Order No.	1399980	
Jamb Clip Kit - 6" (for standard units with pre-applied extension jambs)				
	Kit includes: Jamb clips and screws for standard (non-IR) Springline windows. Note: For use with pre-applied extension jambs. Made of 304 annealed stainless steel, making it compatible with ACQ treated lumber. The clips are pre-punched with holes for unit installation in wall thicknesses from 4-9/16" to 7-1/8". Additional pre-punched holes are available to compensate for wall thickness variations.	Quantity	Clip Dimensions	Order No.
		18 clips	6 3/8 x 1 1/2	9014868
Jamb Clips - 6" (for standard units with pre-applied extension jambs)				
		Quantity	Clip Dimensions	Order No.
		500 clips	6 3/8 x 1 1/2	1376707

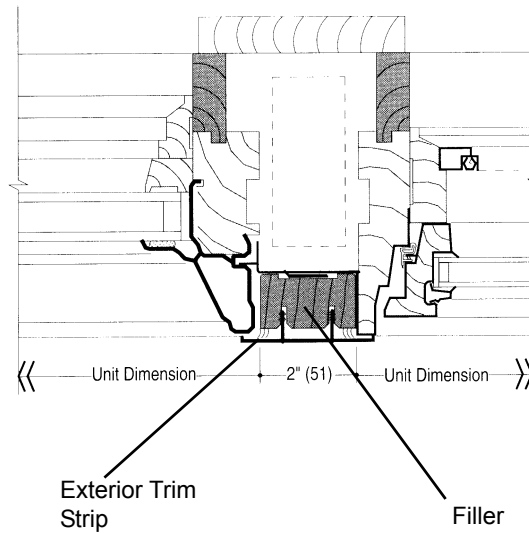
Joining Components



Exterior Trim Strip - Narrow Mullion				
	Length	Color	Order No.	
	96	White	2222002	
		Terratone	2222022	
		Sandtone	2222032	
		Canvas	9053180	
	144	White	1348520	
		Terratone	1448520	
		Sandtone	0607234	
Inside Casing - Mullion				
	Length	2 3/8"	2 5/8"	2 7/8"
	96	1349022	1386812	1507622
	144	1349024	1386814	1507624
Exterior Flashing - Narrow Mullion				
	Length	Color	Order No.	
	6	White	1356008	
		Terratone	1456008	
		Sandtone	0608402	
Gusset Plate - Head and Sill				
			Order No.	
			1359508	
Joining Strip				
			Order No.	
			888232101	

Joining Components

Support Mullion



Springline Support Mullion

Exterior Trim Strip - Support Mullion						
	Length	White	Terratone	Sandtone	Forest Green	Canvas
	144"	1348620	1448620	0611034	0514106	9033617
Exterior Flashing - Support Mullion						
	Length	White	Terratone	Sandtone	Forest Green	Canvas
	8"	2222040	2222042	2222044	By description	9053181
	6"	1356012	1456012	0608404	0514130	9033569
Filler - Support Mullion						
	Length	Order No.				
	72	1348812				

Joining Components

Stormwatch™ Protection (Coastal Product)

Andersen® products with Stormwatch protection are designed for use in coastal areas. They feature design pressure upgrades, glass options, and structural enhancements.

Glass

Glass (Impact Resistant)

Glass - High-Performance (Impact Resistant)

Note:
Available by description.

Glass - High-Performance Sun 3 (Impact Resistant)

Note:
Available by description.

Glass - High-Performance Sun II (Impact Resistant)

Note:
Available by description.

Glass - High-Performance Tempered (Impact Resistant)

Note:
Available by description.

Glass - High-Performance Sun 3 Tempered (Impact Resistant)

Note:
Available by description.

Glass - High-Performance Sun II Tempered (Impact Resistant)

Note:
Available by description.

Glass - Clear Laminated Monolithic

Note:
Available by description.

Glass - Gray Laminated Monolithic

Note:
Available by description.

Frames

Inside Casing (Impact Resistant)

Inside Casing - Arch / Colonial with Wide Transition Blocks (Impact Resistant)

Unit No.	Radius	2 1/4"		2 1/2"		3 1/2"	
		Maple	Oak	Maple	Oak	Maple	Oak
SE31	18 3/4	2232009	2232011	2232013	N/A	2232015	2232016
SE54	32 1/4	2232017	2232019	2232021	N/A	2232023	2232024
SE58	34 1/4	2232025	2232027	2232029	N/A	2232031	2232032
SE60/EL60	36	2232033	2232035	2232037	N/A	2232039	2232040
SP40	24	2232041	2232043	2232045	N/A	2232047	2232048
SP80/EL80	48	2232001	2232003	2232005	N/A	2232007	2232008
SC31	18 3/4	2232049	2232058	2232052	N/A	2232055	2232061
SC54	32 1/4	2232050	2232059	2232053	N/A	2232056	2232062
SC60	34 1/4	2232051	2232060	2232054	N/A	2232057	2232063

Inside Casing - Arch / Ranch with Wide Transition Blocks (Impact Resistant)

Unit No.	Radius	2 1/4"		2 1/2"	
		Maple	Oak	Maple	Oak
SE31	18 3/4	2232010	2232012	2232014	N/A
SE54	32 1/4	2232018	2232020	2232022	N/A
SE58	34 1/4	2232026	2232028	2232030	N/A
SE60/EL60	36	2232034	2232036	2232038	N/A
SP40	24	2232042	2232044	2232046	N/A
SP80/EL80	48	2232002	2232004	2232006	N/A

Transition Casing / Wide (Impact Resistant)

	2 1/4" and 2 1/2"		3 1/2"	
	Maple	Oak	Maple	Oak
	2231120	2231121	2231122	2231123

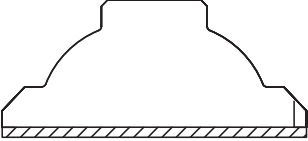
Installation Kit (For Impact Resistant Units)

Installation Screw Package (Impact Resistant)

Kit Includes: 16 - 10-12 x 3 " STST PH FLT HD T-17 screws 1 Instruction sheet	Order No.
	2299101

Service Replacement

Service Replacement Only Parts

Exterior Grilles - HDN									
Exterior Grille - HDN / Lineal / PVC									
Note: These grilles can only be ordered by SAR/SPC.									
									
Length	White			Terratone			Sandtone		
	3/4"	7/8"	1 1/8"	3/4"	7/8"	1 1/8"	3/4"	7/8"	1 1/8"
60 in	2322030	2322034	2322038	2322101	2322103	2322105	2322032	2322036	2322040
84 in	2322031	2322035	2322039	2322102	2322104	2322106	2322033	2322037	2322041

Notes
