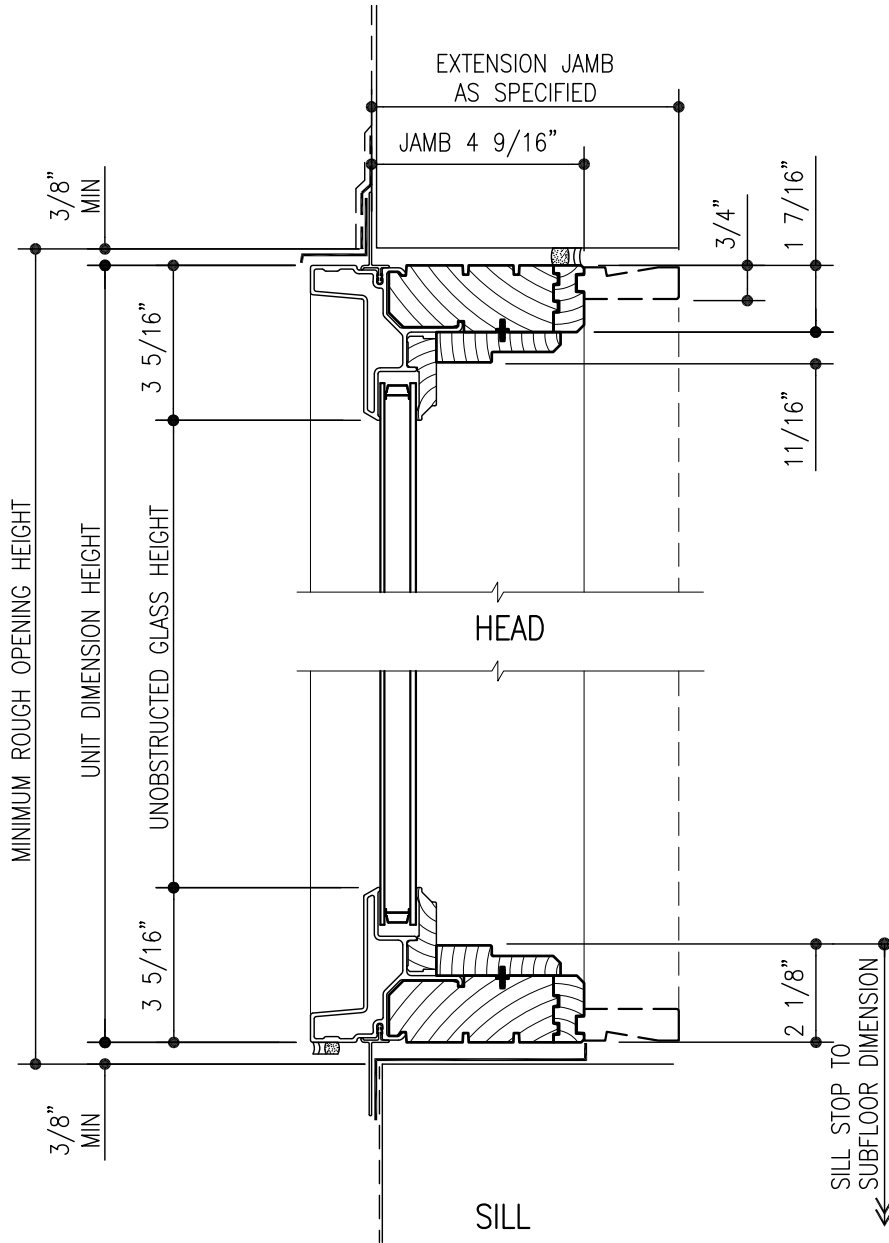


7/24/12



A-SERIES FIXED TRANSOM VERTICAL SECTION

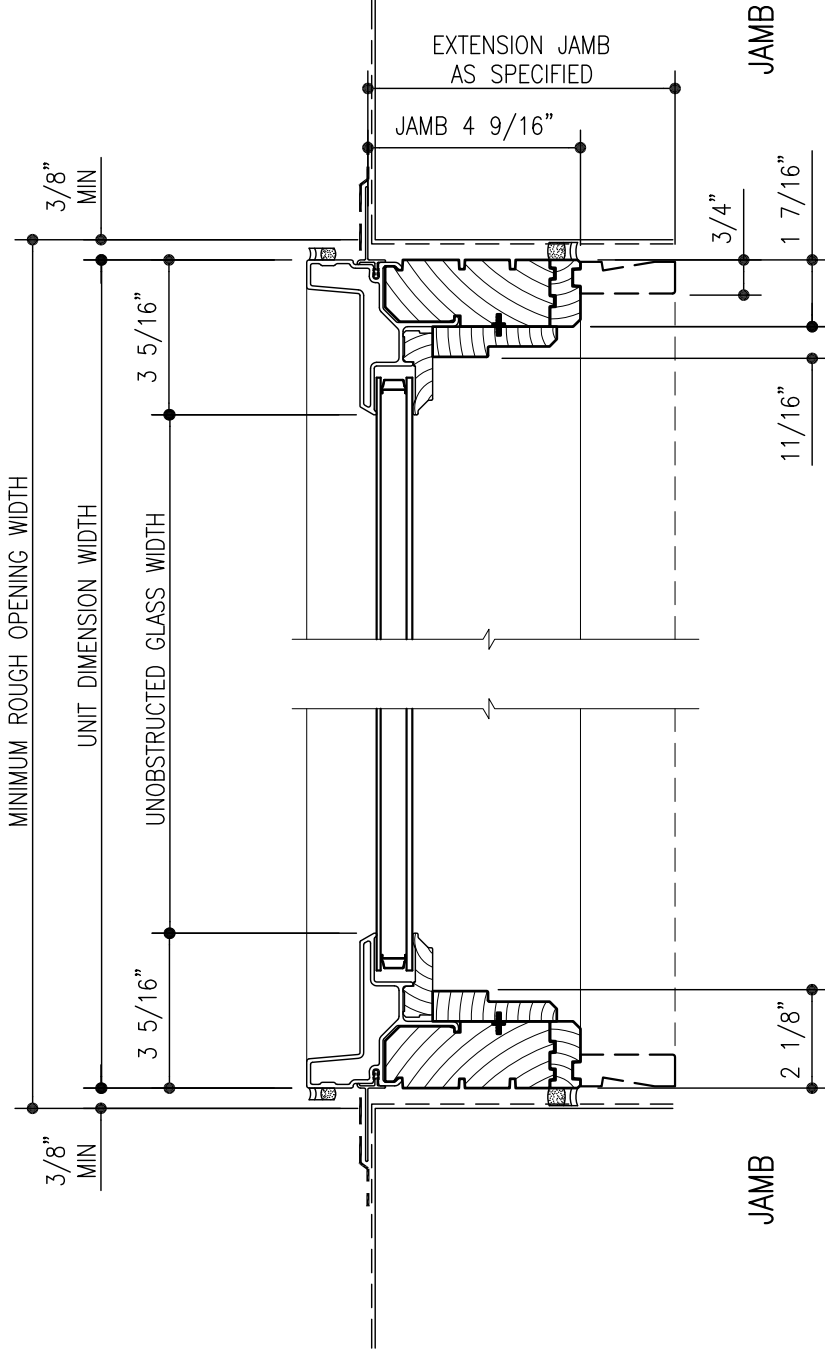
SCALE: 3" = 1'-0"

FIXED TRANSOM WINDOW

A-SERIES

N1

OF 4



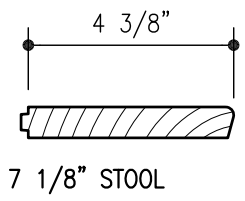
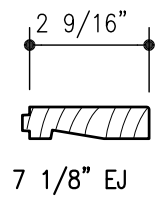
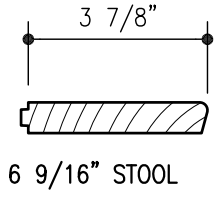
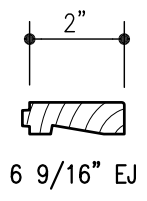
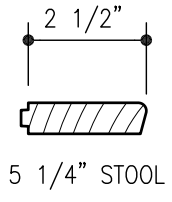
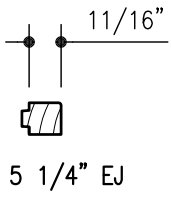
A-SERIES FIXED TRANSOM HORIZONTAL SECTION

SCALE: 3" = 1'-0"

A-SERIES
N2

OF 4

FIXED TRANSOM WINDOW



CUSTOM SIZES ALSO AVAILABLE

EXTENSION JAMB OPTIONS

STOOL OPTIONS

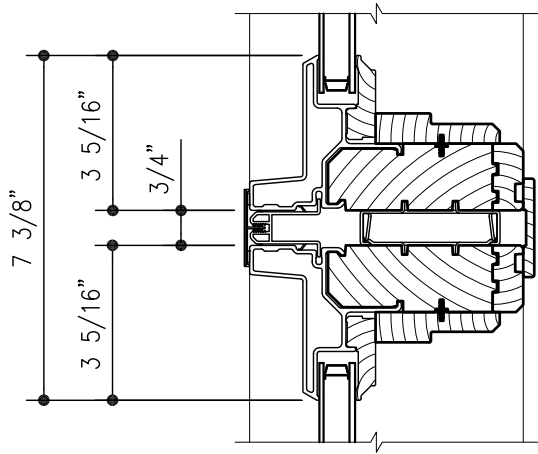
EXTENSION JAMBS/STOOL OPTIONS

SCALE: 3" = 1'-0"

FIXED TRANSOM WINDOW

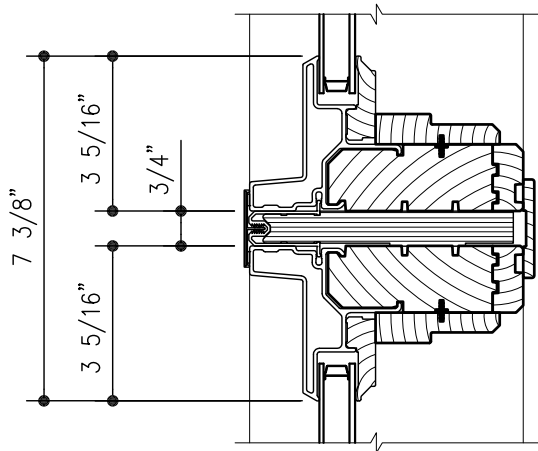
A-SERIES
 N3

OF 4



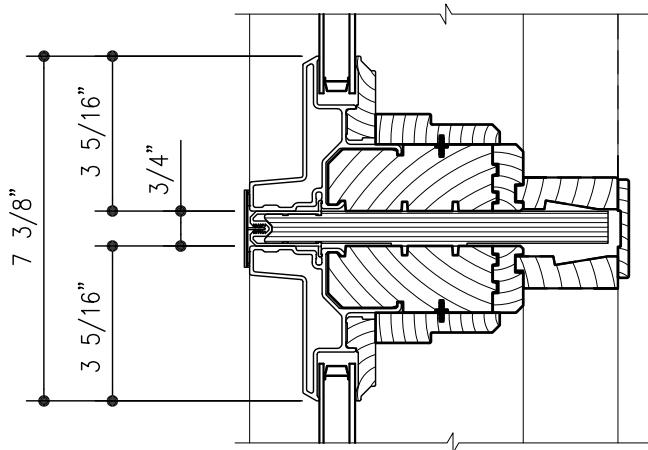
A-SERIES FIXED TRANSOM STEEL CLIP MULL

SCALE: 3" = 1'-0"



A-SERIES FIXED TRANSOM 4 9/16" LVL MULL

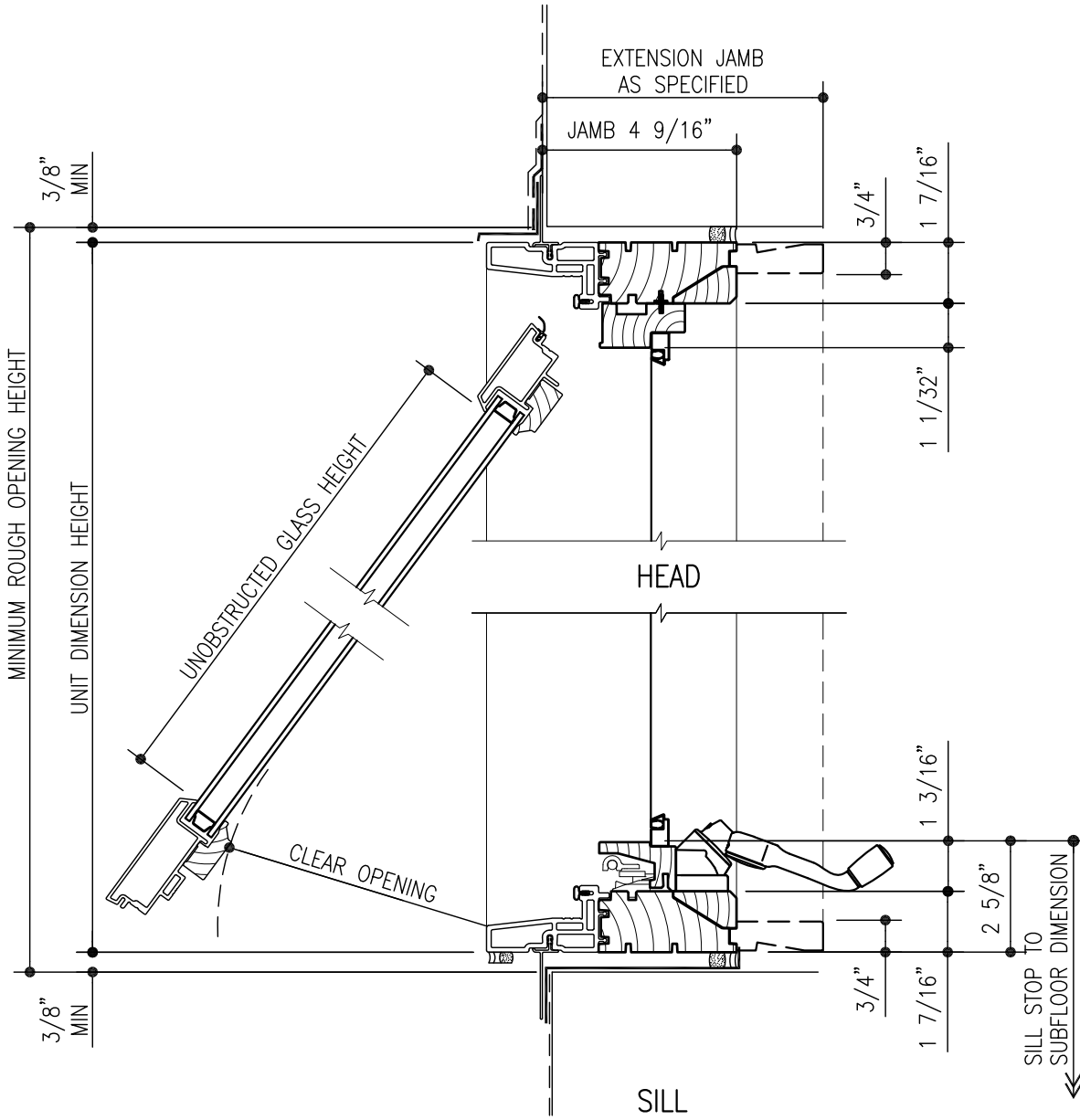
SCALE: 3" = 1'-0"



A-SERIES FIXED TRANSOM 6 9/16" LVL MULL

SCALE: 3" = 1'-0"

7/24/12



A-SERIES VENTING TRANSOM VERTICAL SECTION

SCALE: 3" = 1'-0"

7/24/12

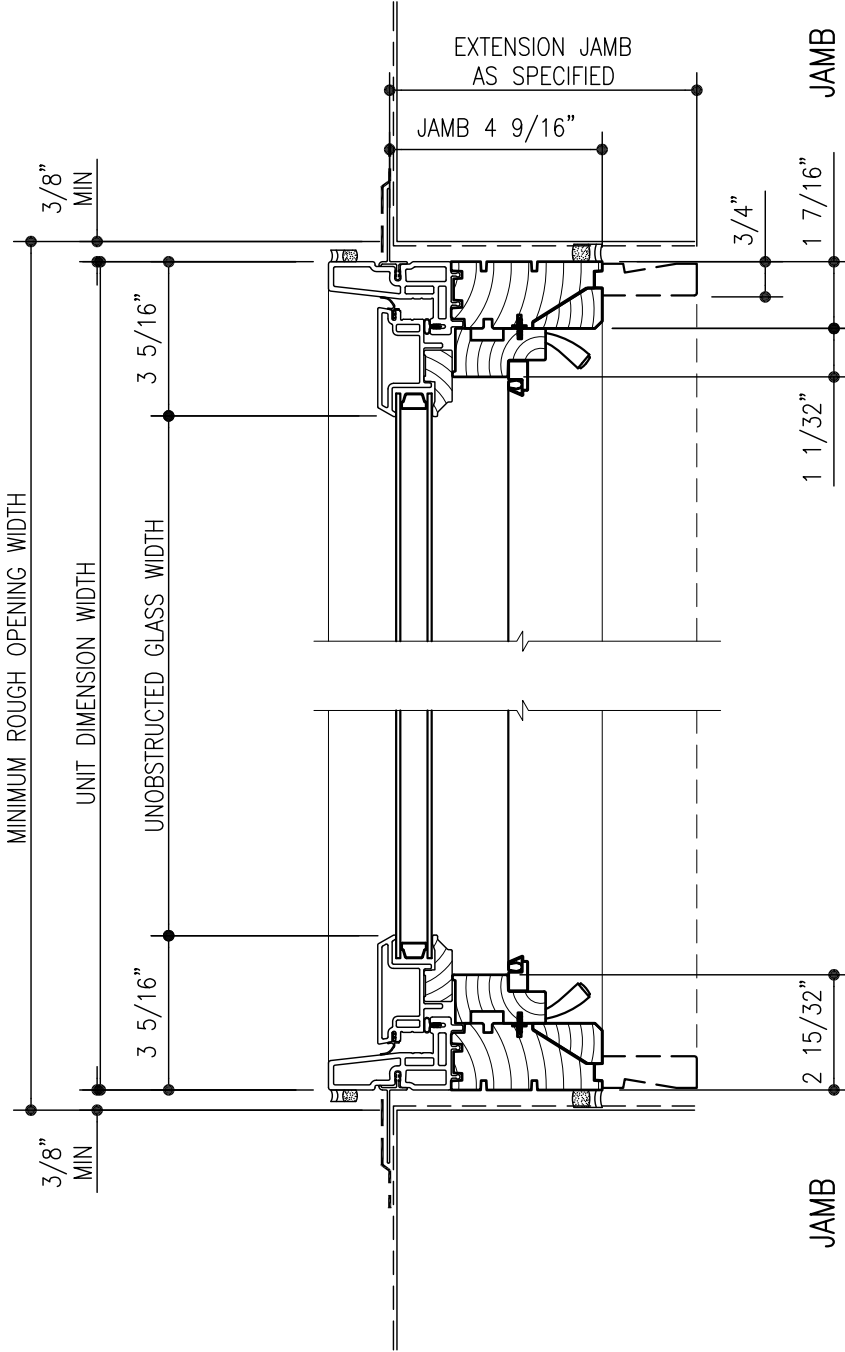
VENTING TRANSOM WDW

A-SERIES

P1

OF 4

7/24/12



A-SERIES VENTING TRANSOM HORIZONTAL SECTION

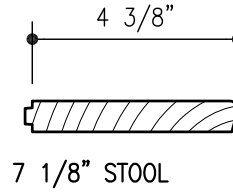
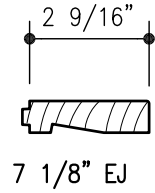
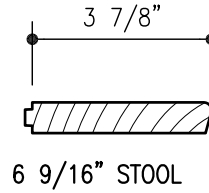
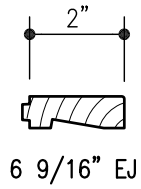
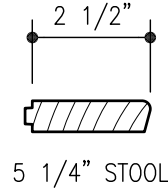
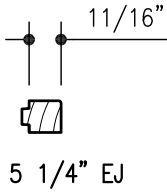
SCALE: 3" = 1'-0"

A-SERIES
P2

OF 4

Andersen
WINDOWS • DOORS
AW
Andersen Windows, Inc.
100 Fourth Avenue North
Bayport, Minnesota 55003

VENTING TRANSOM WDW



CUSTOM SIZES ALSO AVAILABLE

EXTENSION JAMB OPTIONS

STOOL OPTIONS

EXTENSION JAMBS/STOOL OPTIONS

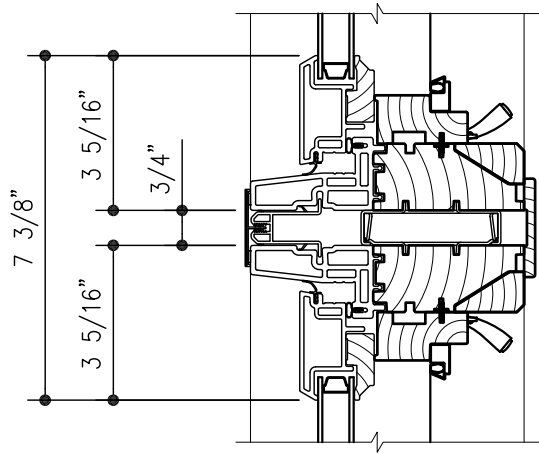
SCALE: 3" = 1'-0"

VENTING TRANSOM WDW

A-SERIES
 P3

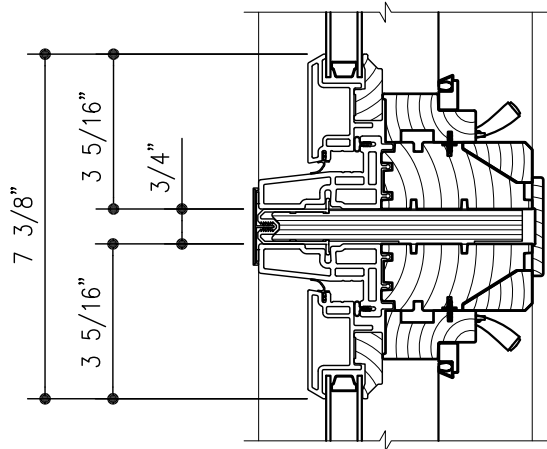
OF 4

7/24/12



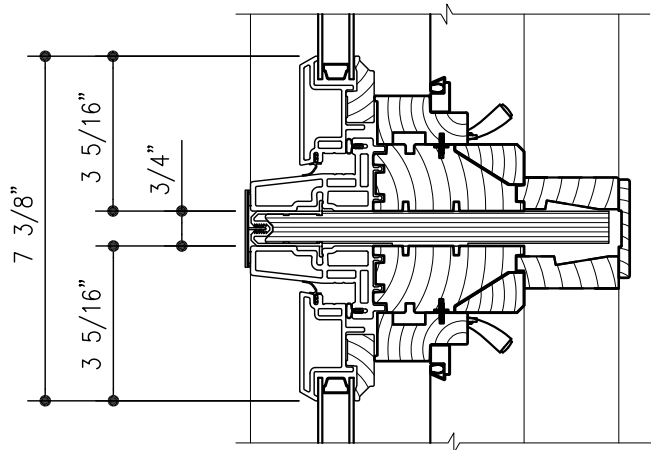
A-SERIES VENTING TRANSOM STEEL CLIP MULL

SCALE: 3" = 1'-0"



A-SERIES VENTING TRANSOM 4 9/16" LVL MULL

SCALE: 3" = 1'-0"



A-SERIES VENTING TRANSOM 6 9/16" LVL MULL

SCALE: 3" = 1'-0"