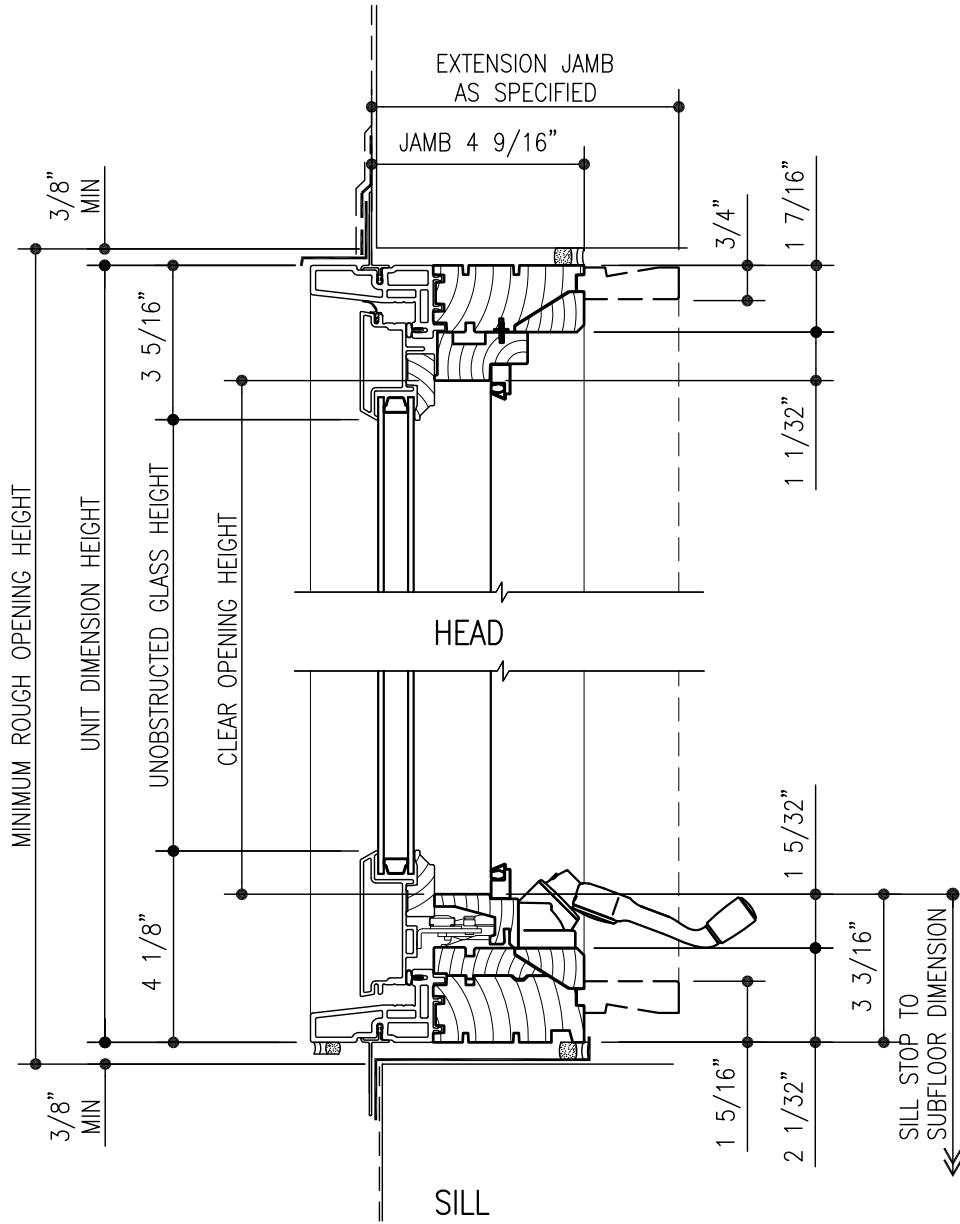


7/24/12



A-SERIES CASEMENT VERTICAL SECTION

SCALE: 3" = 1'-0"

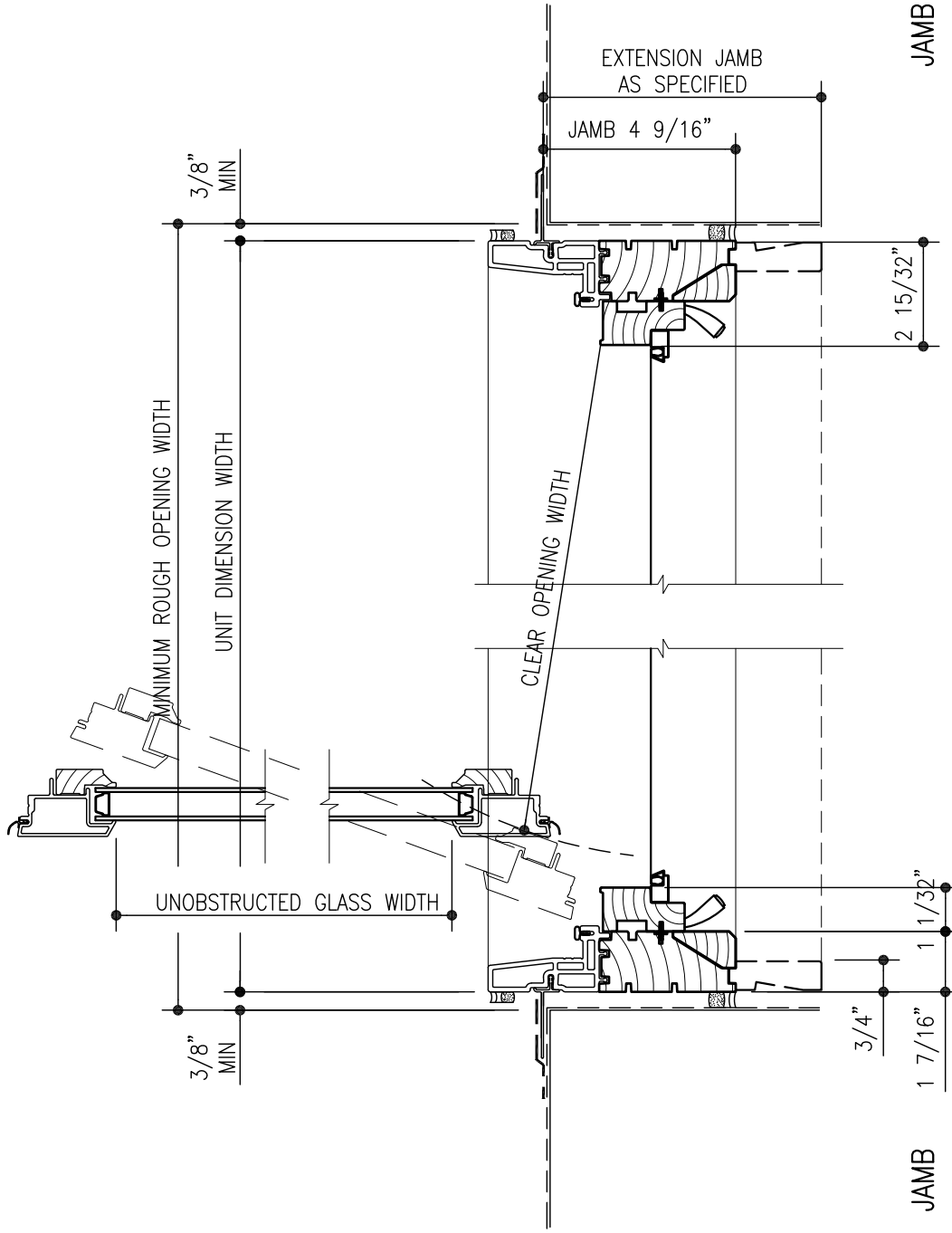
CASEMENT WINDOW

A-SERIES

J1

OF 4

7/24/12



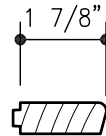
A-SERIES CASEMENT HORIZONTAL SECTION

SCALE: 3" = 1'-0"

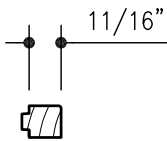
A-SERIES
J2

OF 4

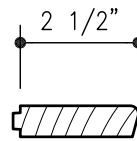
Andersen
WINDOWS • DOORS
 Andersen Windows, Inc.
 100 Fourth Avenue North
 Bayport, Minnesota 55003



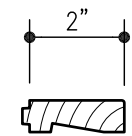
4 9/16" STOOL



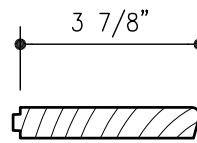
5 1/4" EJ



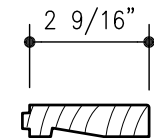
5 1/4" STOOL



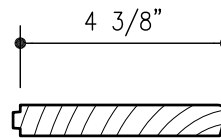
6 9/16" EJ



6 9/16" STOOL



7 1/8" EJ



7 1/8" STOOL

CUSTOM SIZES ALSO AVAILABLE

EXTENSION JAMB OPTIONS

STOOL OPTIONS

EXTENSION JAMBS/STOOL OPTIONS

SCALE: 3" = 1'-0"

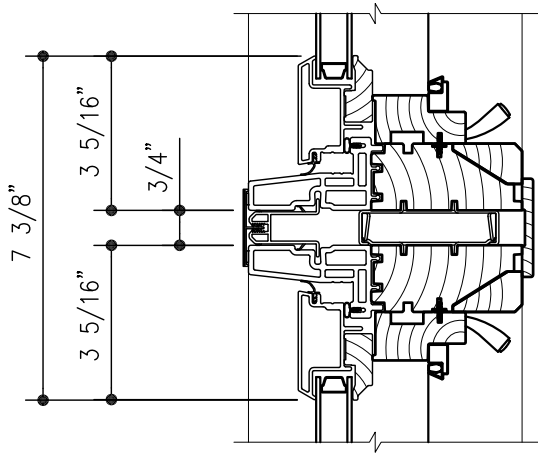
CASEMENT WINDOW

A-SERIES

J3

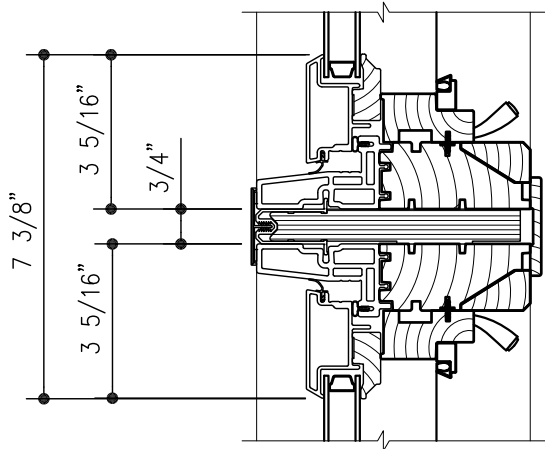
OF 4

7/24/12



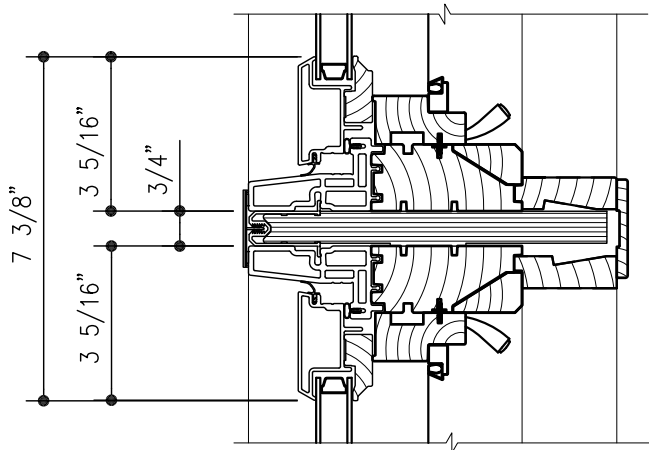
A-SERIES CASEMENT STEEL CLIP MULL

SCALE: 3" = 1'-0"



A-SERIES CASEMENT 4 9/16" LVL MULL

SCALE: 3" = 1'-0"



A-SERIES CASEMENT 6 9/16" LVL MULL

SCALE: 3" = 1'-0"

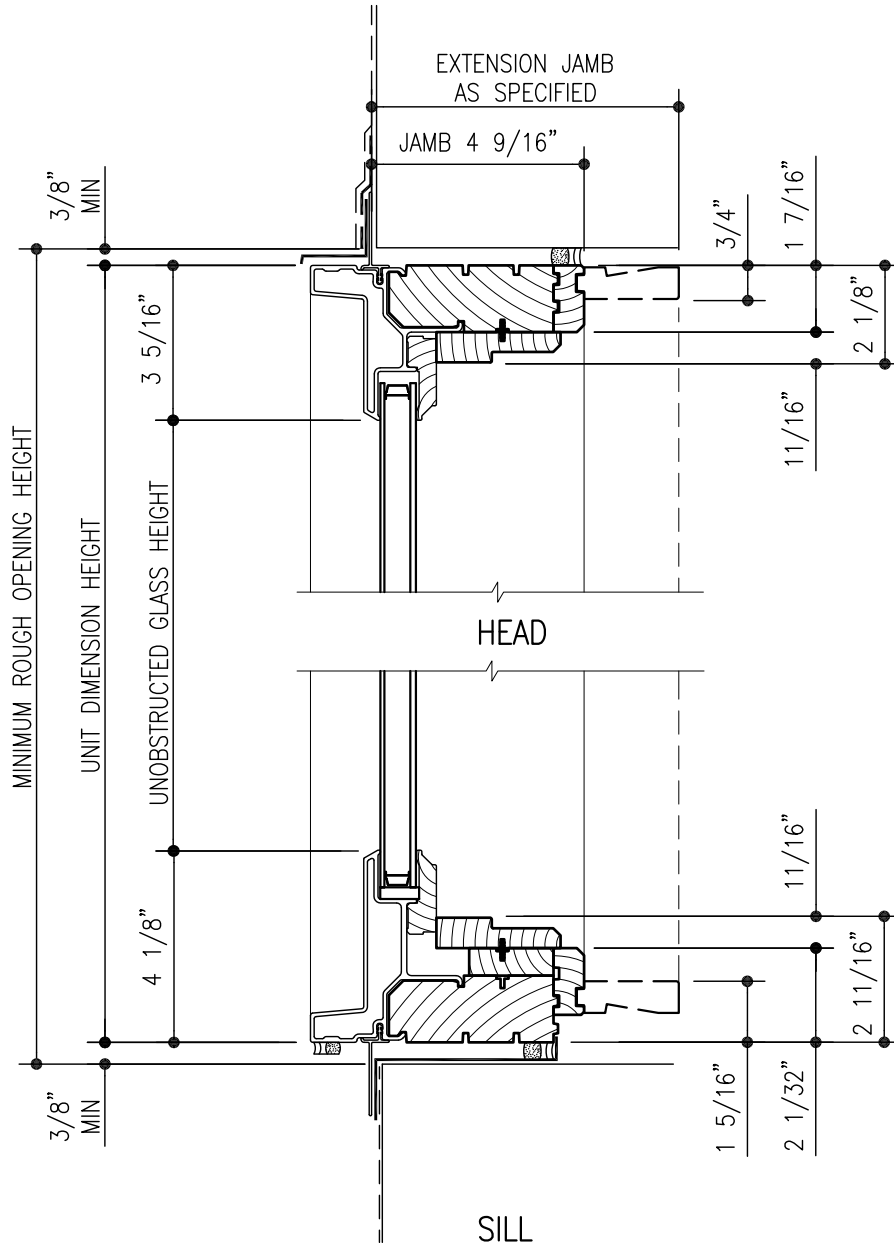
CASEMENT WINDOW

A-SERIES

J4

OF 4

7/24/12



A-SERIES PICTURE VERTICAL SECTION

SCALE: $3" = 1'-0"$

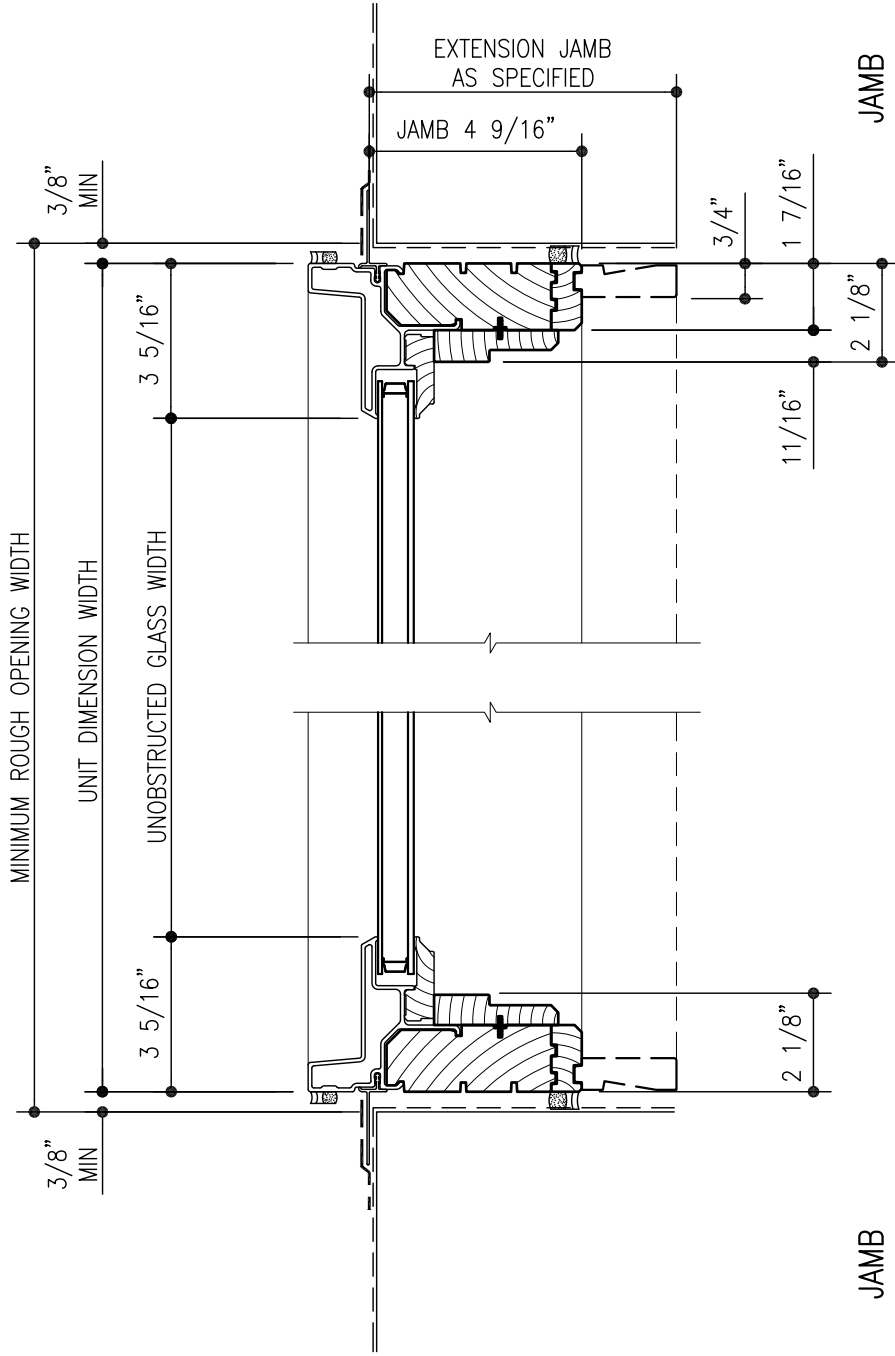
PICTURE WINDOW

A-SERIES

M1

OF 4

7/24/12

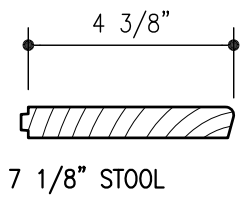
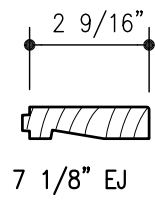
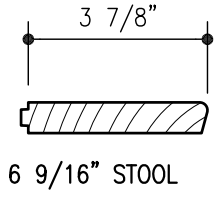
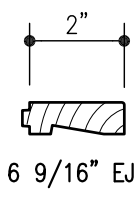
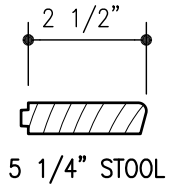
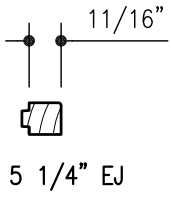


A-SERIES PICTURE HORIZONTAL SECTION

SCALE: 3" = 1'-0"

A-SERIES
M2

OF 4



CUSTOM SIZES ALSO AVAILABLE

EXTENSION JAMB OPTIONS

STOOL OPTIONS

EXTENSION JAMBS/STOOL OPTIONS

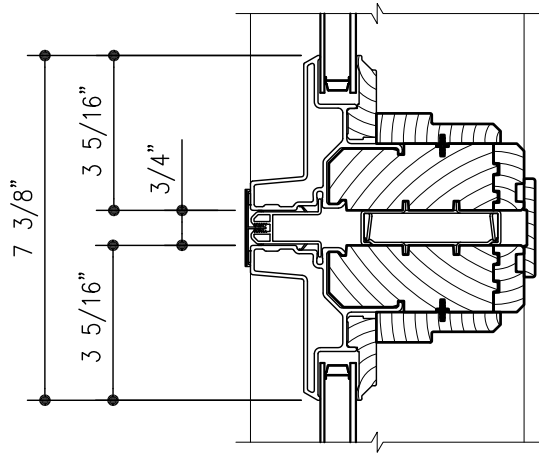
SCALE: 3" = 1'-0"

PICTURE WINDOW

A-SERIES

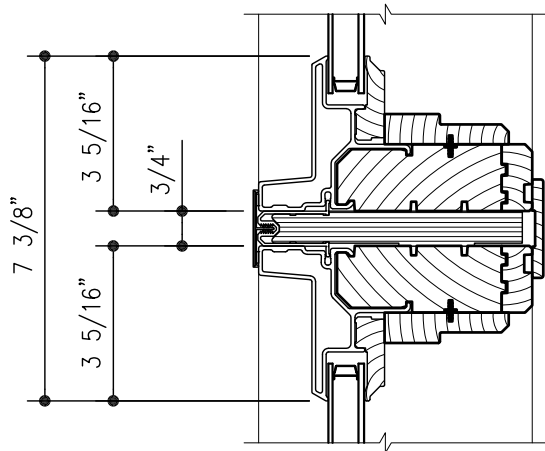
M3

OF 4



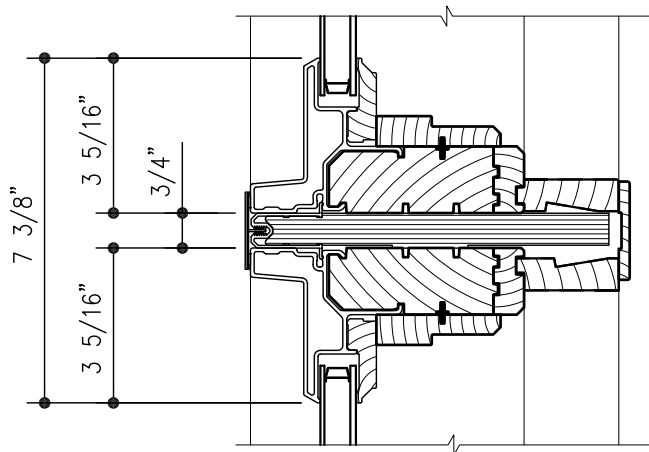
A-SERIES PICTURE STEEL CLIP MULL

SCALE: 3" = 1'-0"



A-SERIES PICTURE 4 9/16" LVL MULL

SCALE: 3" = 1'-0"



A-SERIES PICTURE 6 9/16" LVL MULL

SCALE: 3" = 1'-0"

7/24/12

PICTURE WINDOW

A-SERIES
M4

OF 4