

Lock and Keeper Shims

for Andersen® Tilt-Wash and Narroline® Windows



Congratulations! You have just purchased one of the many fine Andersen® products. For ease of installation and continued enjoyment of your Andersen® product please read and follow this Installation Guide completely. You may direct any questions about this or other products to your local Andersen® dealer. Andersen® dealers can be found in the Yellow Pages under Windows.

Installer: Please leave the Installation Guide with the home owner to file for future reference. Thank you for choosing Andersen®.

Importance of Proper Assembly and Installation

Proper assembly, installation and maintenance of Andersen® products is essential if the benefits of experienced product design and engineering, quality materials, and skilled workmanship are to be fully attained. General recommendations regarding assembly and installation are guidelines only. Every assembly and installation is different (windloads, structural support, etc.) and, Andersen® strongly recommends consultation with an Andersen® supplier or an experienced contractor, architect, or structural engineer prior to the assembly and installation of any Andersen® product. Assembly and installation of Andersen® products is the sole responsibility of the architect, building owner, contractor and/or consumer and Andersen® has no responsibility in this regard.

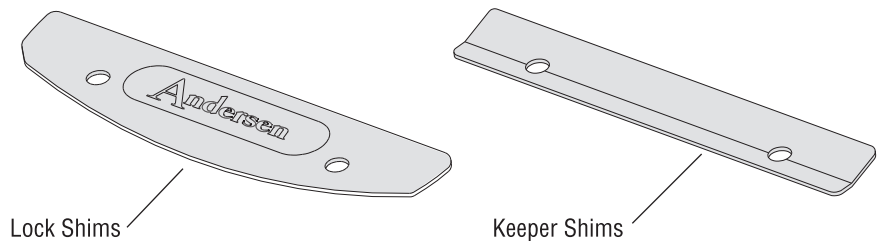
Included Components

- Keeper Shims
- Lock Shims

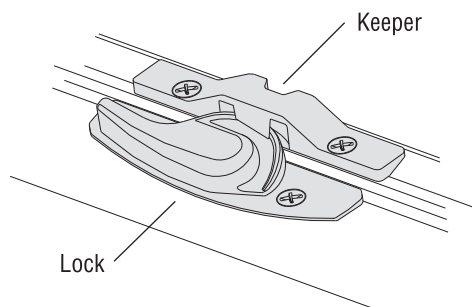
Installation Tools Needed

- Safety Glasses
- Phillips Screwdriver

Component Identification



1. Operational Check and Solutions



NOTICE

Do not install both a Lock Shim and a Keeper Shim on the same window unit.

- If the window has excessive air leakage at the bottom or top, or the *Lock* is not snug against the *Keeper* when in the locked position insert a Lock Shim.
- If the unit cannot be locked or requires excessive force when locking insert a Keeper Shim.

CAUTION

Andersen windows are not provided with safety glass, and if broken, could fragment causing injury. Many laws and building codes require safety glass in locations adjacent to or near doors. Andersen windows are available with safety glass which may reduce the likelihood of injury when broken. Information on safety glass is available from your local Andersen dealer.

Do not apply any type of film directly to glass. Thermal stress conditions resulting in glass damage could occur.

The use of movable insulating materials such as window coverings, shutters and other shading devices may damage glass and/or vinyl. In addition, excessive condensation may result causing deterioration of window unit.

WARNING

Improper use of hand or power tools could result in personal injury and/or product damage. Follow equipment manufacturer's instructions for safe operation. Always wear safety glasses.

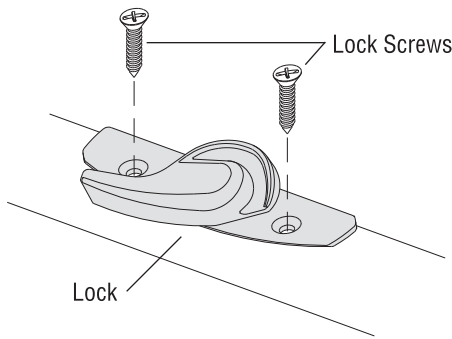
WARNING

Use of ladders and/or scaffolding and working at elevated levels may be hazardous. Follow equipment manufacturer's instructions for safe operation. Use extreme caution when working around window and door openings. Personal injury and/or falls could occur.

WARNING

Weight of window and door unit(s) and accessories will vary. Use a reasonable number of people with sufficient strength to lift, carry and install window and door unit(s) and accessories. Always use appropriate lifting techniques.

2. Remove the Lock or Keeper as Determined

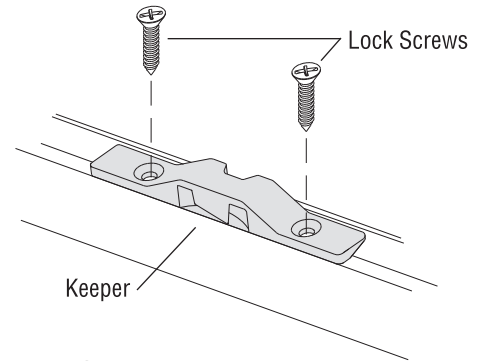


Lock Shim Installation

- Remove the 2 screws holding the *Lock* or *Keeper* in place. Remove the *Lock* or *Keeper*.

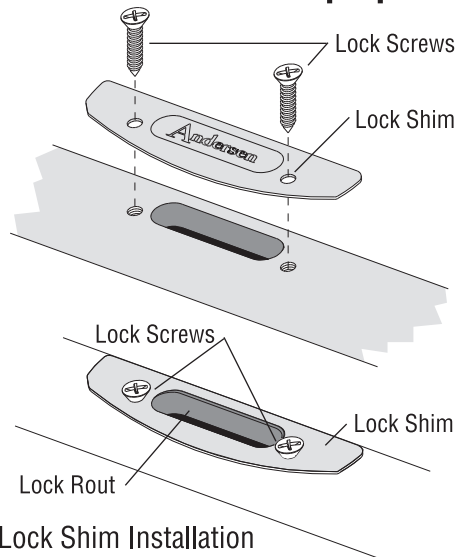
NOTICE

If the window is equipped with an interior grille that has a grille spoke behind the *Keeper* remove the grille.



Keeper Shim Installation

2. Knock out Lock or Keeper punch out

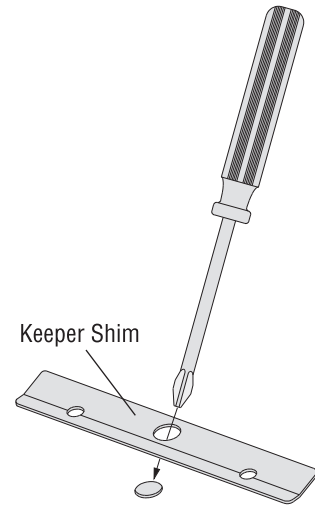


Lock Shim Installation

NOTICE

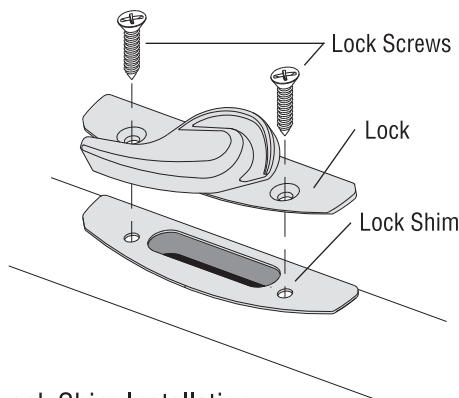
For *Keeper Shim* Only. If the window has a grille that fits behind the *Keeper* the center knockout on the *Keeper Shim* must be removed. Using a phillips head screwdriver push out the center knockout.

- For *Lock Shim* installation Place the *Lock Shim* over the area on the check rail where the *Lock* was. Use the *Lock Screws* to attach the *Lock Shim* to the check rail.
- Using the screwdriver push out the center knockout on the *Lock Shim*, leave the knockout in the *Lock Rout* making sure it is flush on the bottom.
- Remove the *Lock Screws*.



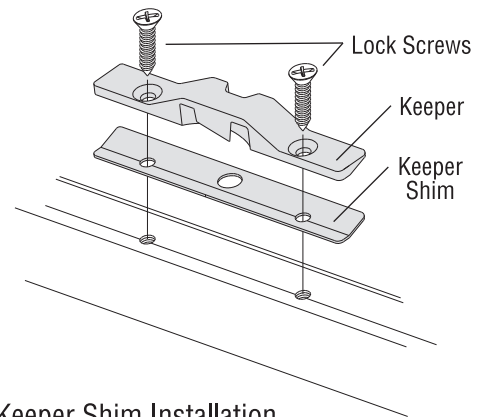
Keeper Shim Installation

3. Attach the Lock Shim or Keeper Shim



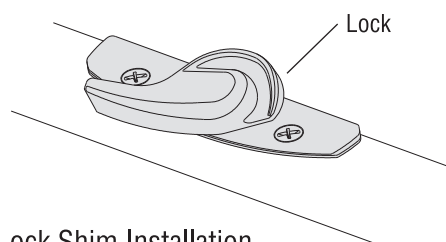
Lock Shim Installation

- If necessary remove some material from the edges of the center knockout.
- Place the *Lock* or *Keeper Shim* over the area on the upper check rail where the *Lock* or *Keeper* was.
- Align the *Lock* or *Keeper* over the *Shim* and install the *Lock* or *Keeper Screws*.



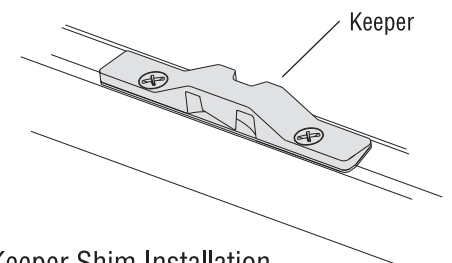
Keeper Shim Installation

4. Lock Shim or Keeper Shim Installed



Lock Shim Installation

- Reinstall grille if present.
- Close sash, *Lock* and *Unlock* window several times to ensure proper operation.
- Check the sash at the *Top* and *Bottom* to make sure the sash seals properly.



Keeper Shim Installation